

PART NAME: KNOB

SCALE: 1:1

DATE: 2/17/94

DR. BY: HD



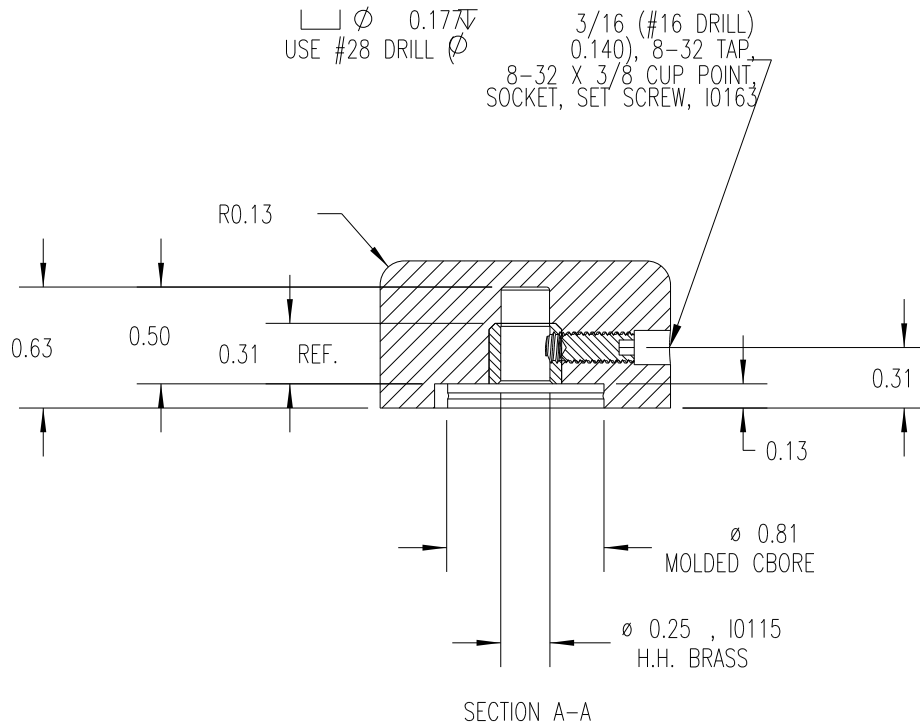
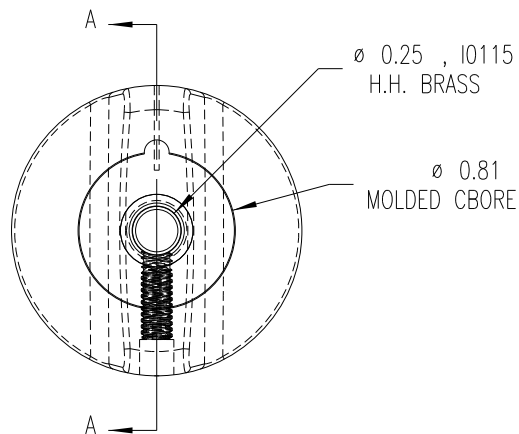
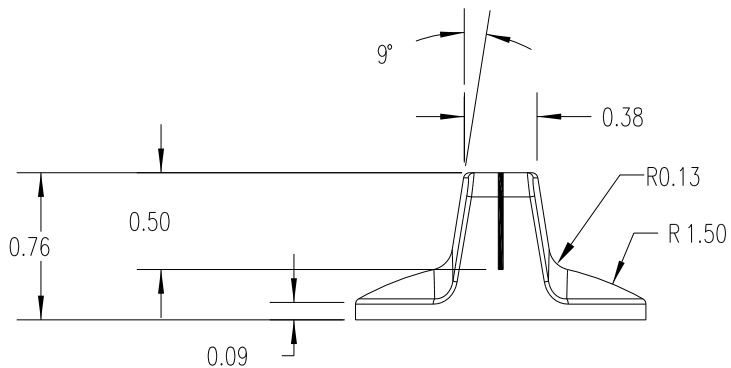
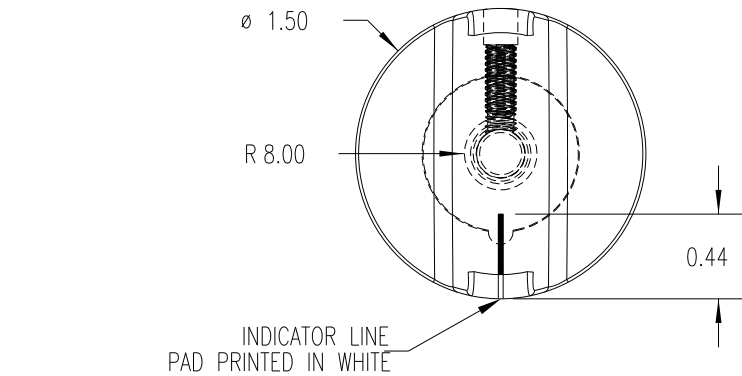
DESIGNERS & MANUFACTURERS  
OF KNOBS, HANDLES, CAPS &  
CUSTOM PLASTIC COMPONENTS

P/N 1520AJ

BASE PART 1520-02

SET SCREW 10163

THIS DRAWING IS THE PROPERTY OF DAVIES MOLDING COMPANY, IS SUBMITTED SOLELY AS A DESIGN OR ENGINEERING PROJECT.  
WE ACCEPT NO RESPONSIBILITY WHATSOEVER FOR THE PRACTICAL APPLICATION OF THE PIECES MADE TO THIS DESIGN.



MATERIAL: G.P. PHENOLIC (B11)  
COLOR: BLACK  
FINISH: MATTE

TOLERANCES: UNLESS OTHERWISE SPECIFIED	DO NOT SCALE DRAWING	C	REDRAW	JAM	2/7/08
DECIMALS: X.XXX ± .005 X.XX ± .015	MM: X.XX ± 0.15MM X.X ± 0.4MM	B	UPDATED/ HAD TOOLBOX	EV	8/2/02
FRACTIONS ± 1/64	ANG. ± 1°	A	WAS 1520-A PIN	HD	8/20/96
CHANGES					