

# SACB-4/ 4- 5,0PUR SCO

Order No.: 1516962




<http://eshop.phoenixcontact.de/phoenix/treeViewClick.do?UID=1516962>

Sensor/actuator box, M12-SPEEDCON-socket, Number of slots: 4, Number of positions: 4, Slot assignment: Single, Status indication: No, Universal 180°, PUR/PVC, Cable length: 5 m, Shielding: No



## Commercial data

GTIN (EAN)	 4 017918 967635
sales group	D101
Pack	1 pcs.
Customs tariff	85366990
Catalog page information	Page 116 (PC-2009)

## Product notes

WEEE/RoHS-compliant since:  
01/01/2008



<http://www.download.phoenixcontact.com>  
Please note that the data given here has been taken from the online catalog. For comprehensive information and data, please refer to the user documentation. The General Terms and Conditions of Use apply to Internet downloads.

## Technical data

### General data

Rated voltage	120 V
Max. operating voltage $U_{max}$	135 V
Current carrying capacity per I/O signal	2 A
Current carrying capacity per slot	4 A

Total rated current	12 A
Number of positions	4
Number of slots	4
Degree of protection	IP65/IP67/IP69K
Inflammability class acc. to UL 94	V0
Ambient temperature (operation)	-30 °C ... 90 °C
Sensor/actuator connection system	M12-SPEEDCON-socket

**Master cable connection data**

Type of connection	Fixed connection
Length of cable	5 m
Ambient temperature (operation)	-40 °C ... 90 °C (for fixed installation) -5 °C ... 80 °C (for flexible installation)
Tightening torque slot sensor/actuator cable	0.4 Nm
Tightening torque screw plug	0.4 Nm

**Insulation material**

Housing material	PBT
Material of the moulding mass	PUR
Contact material	Cu alloy
Contact surface material	Gold-plated
Contact carrier material	PA
Material of threaded sleeve	Zinc die-cast
Material of threaded sleeve surface	Nickel-plated
Material, O-ring	NBR

**Pin assignment**

Slot/position = Wire color or connection	1 / 4 (A) = WH
	2 / 4 (A) = GN
	3 / 4 (A) = YE
	4 / 4 (A) = GY
	1-4 / 1 (+ 120 V) = BN
	1-4 / 3 (0 V) = BU
	1-4 / 5 (PE) = GN/YE

**Conductor data**

Cable type	PUR/PVC black
------------	---------------

Cable abbreviation	LiYY11Y-HF
Conductor cross section	4x 0.34 mm <sup>2</sup> (signal line) 3x 0.75 mm <sup>2</sup> (Power supply)
AWG signal line	22
Conductor structure signal line	42x 0.10 mm
AWG power supply	19
Conductor structure, voltage supply	96x 0.10 mm
External cable diameter	8.70 mm
External sheath, color	Deep black RAL 9005
Nominal voltage, conductor	300 V
Test voltage, conductor	2000 V
Outer sheath, material	PUR
Material, inner sheath	PVC
Material conductor insulation	PVC
Conductor material	Bare Cu litz wires
Smallest bending radius, fixed installation	90 mm
Smallest bending radius, movable installation	90 mm
Number of bending cycles	1500000
Bending radius	90 mm
Traversing path	2 m
Traversing rate	2 m/s
Special properties	Silicone-free Free of substances which would hinder coating with paint or varnish
Flame resistance	DIN EN 50265-2-1
Resistance to oil	As per VDE 0472 Part 803
Other resistance	Highly resistant to acids, alkaline solutions and solvents

#### Certificates / Approvals



Certification CUL, UL

**Accessories**

Item	Designation	Description
------	-------------	-------------

**Marking**

0804963	SS-ZB 17,5 WH	Contact marker Zack strip, unprinted: 5-section, for snapping into equipment and components with special marker carrier, can be labeled with M-PEN, CMS system or label BMKT 17.5 x 8, lettering field: 17.5 x 8 mm, color: white
---------	---------------	---

**Protection and sealing elements**

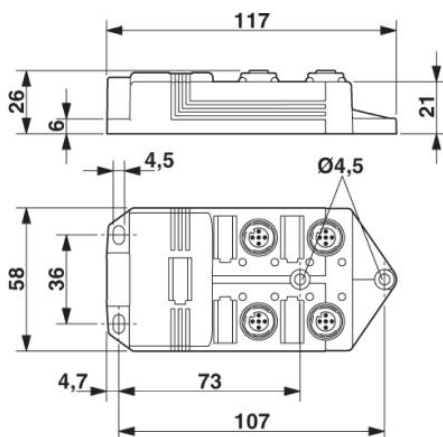
1553129	PROT-MS SCO	M12 screw plug with SPEEDCON quick locking for unoccupied M12 sockets of the sensor/actuator cables, boxes and flush-type connectors
---------	-------------	--

**Tools**

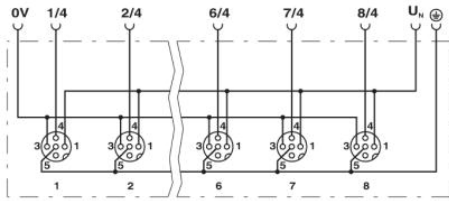
1208432	SAC BIT M12-D15	Nut for assembling sensor/actuator cables with M12 connector and for M12 connectors with QUICKON fast connection technology, for 4 mm hexagonal drive
1208445	SACC BIT M12-D20	Nut for assembling SACC M12 connectors for free assembly, excluding M12 connectors with QUICKON fast connection technology, for 4 mm hexagonal drive
1208429	TSD 04 SAC	Torque screwdriver, with preset torque of 0.4 Nm and 4 mm hexagonal drive for M12 connectors

**Diagrams/Drawings**

Dimensioned drawing

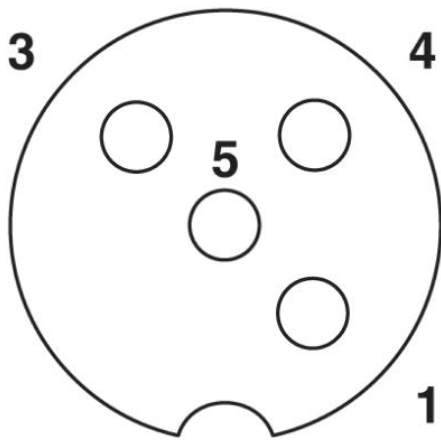


Circuit diagram



Schematic diagram

M12 slot, socket, 4-pos.



**Address**

PHOENIX CONTACT Inc., USA  
586 Fulling Mill Road  
Middletown, PA 17057, USA  
Phone (800) 888-7388  
Fax (717) 944-1625  
<http://www.phoenixcon.com>



© 2010 Phoenix Contact  
Technical modifications reserved;