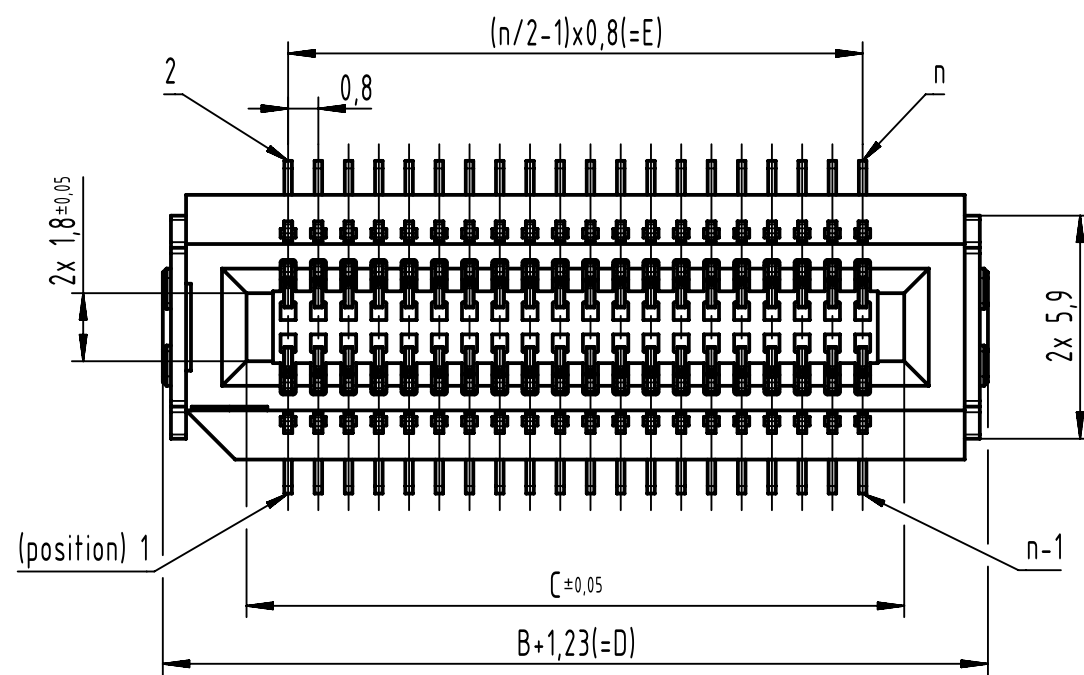
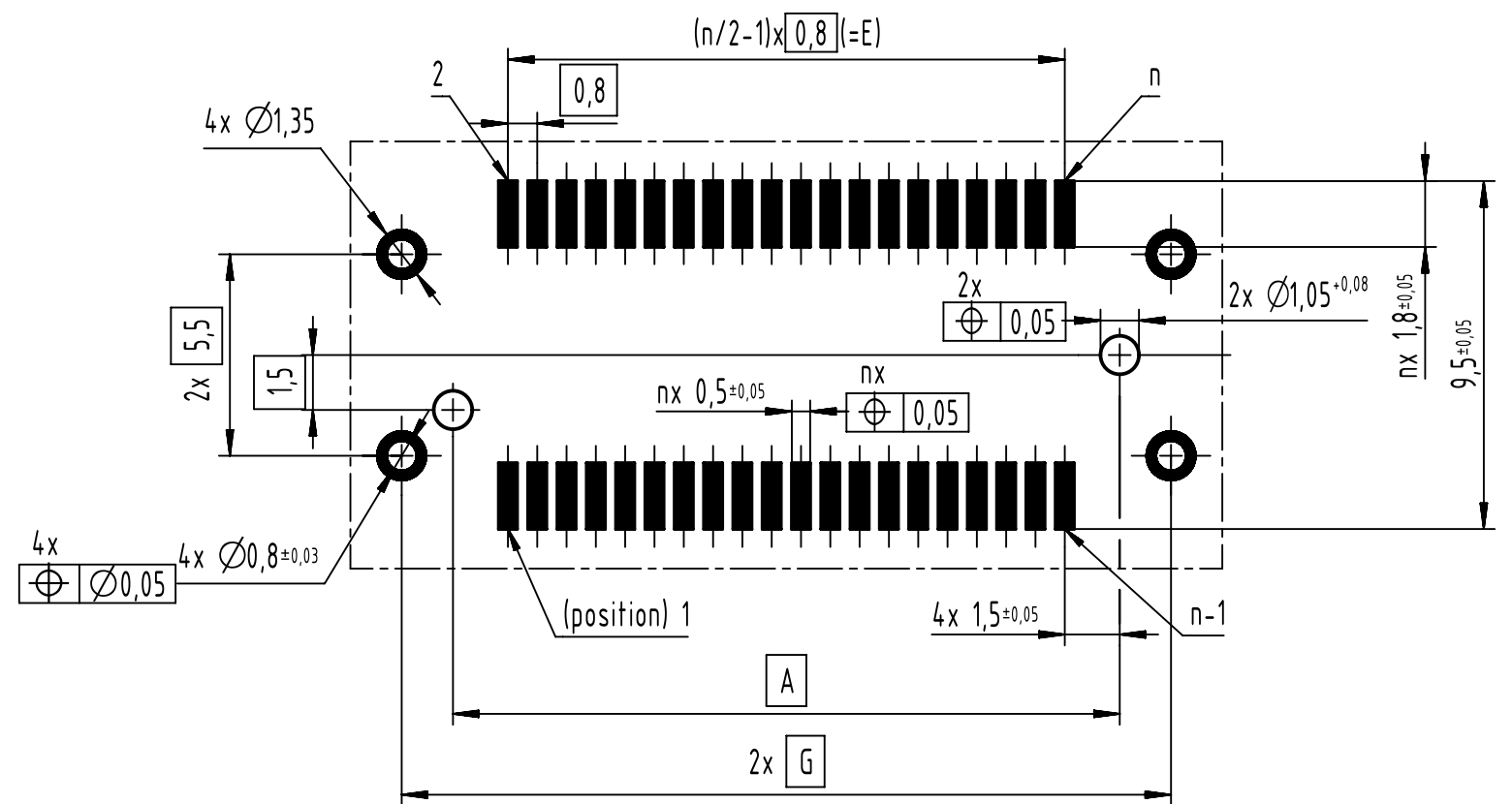


View without pick & place pad



Board layout



X = Performance level,
2 = PL1
5 = PLS4

XXX = Packaging information
000 = tape & reel with 200pcs per reel
333 = sample

Part Number	poles no. (=n)	A	B	C	D	E	F	G	Description
15 03 020 X401 XXX	20	10,2	12,6	9,4	13,83	7,2	13,4	13	har-flex HD-Card Edge 20-pole assembly with THR hold down
15 03 040 X401 XXX	40	18,2	20,6	17,4	21,83	15,2	21,4	21	har-flex HD-Card Edge 40-pole assembly with THR hold down
15 03 060 X401 XXX	60	26,2	28,6	25,4	29,83	23,2	29,4	29	har-flex HD-Card Edge 60-pole assembly with THR hold down

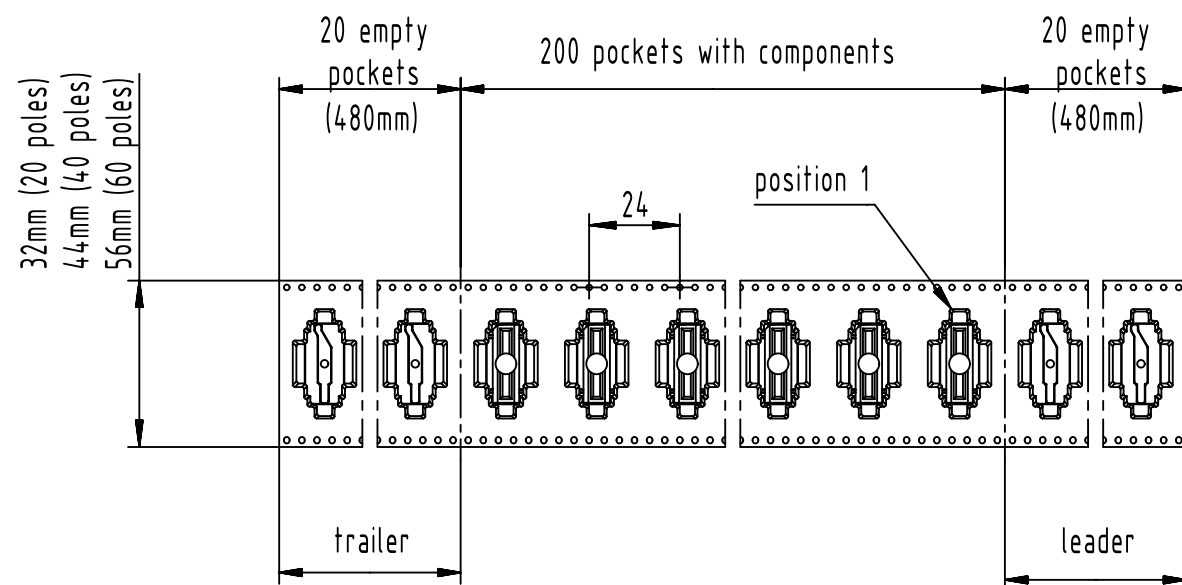
All rights reserved Department EL PD		All Dimensions in mm Original Size DIN A3		Scale 5:1	Free size tol.	Ref. Sub.
HARTING Electronics GmbH D-32339 Espelkamp		Created by ZENGDO	Inspected by LUOK	Standardisation 302077	Date 2020-11-26	State Final Release
Title har-flex HD-Card Edge 20 to 60-pole with THR						Doc-Key / ECM-Nr. 100745722/UGD/007/A 500000180186
Type TB		Number 15030YYX401XXX			Rev. A	Page 1/2



har-flex HD-Card Edge connector, straight, 20 to 60-pole



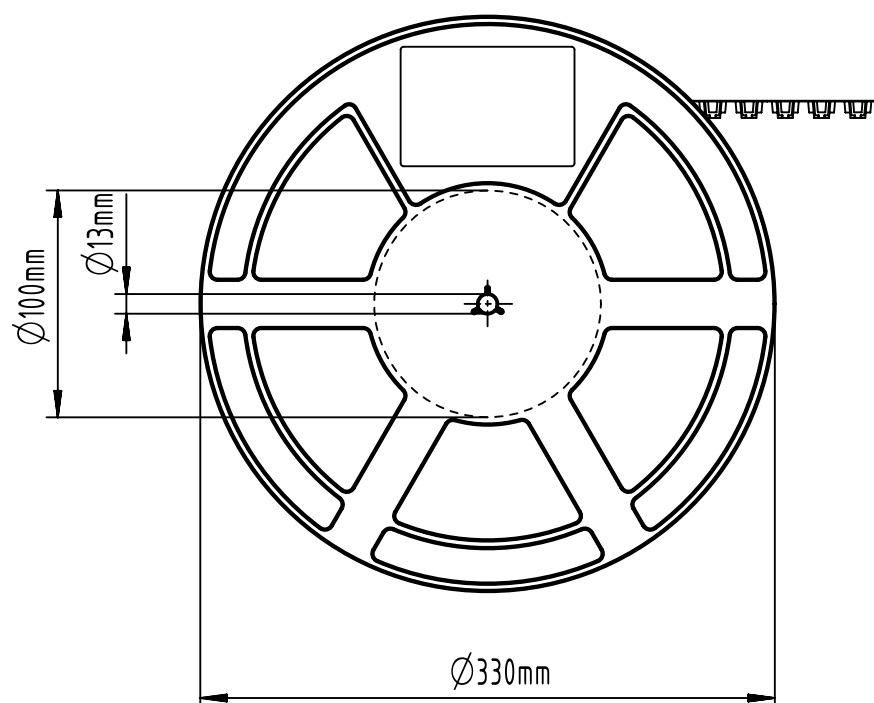
Tape layout & packaging



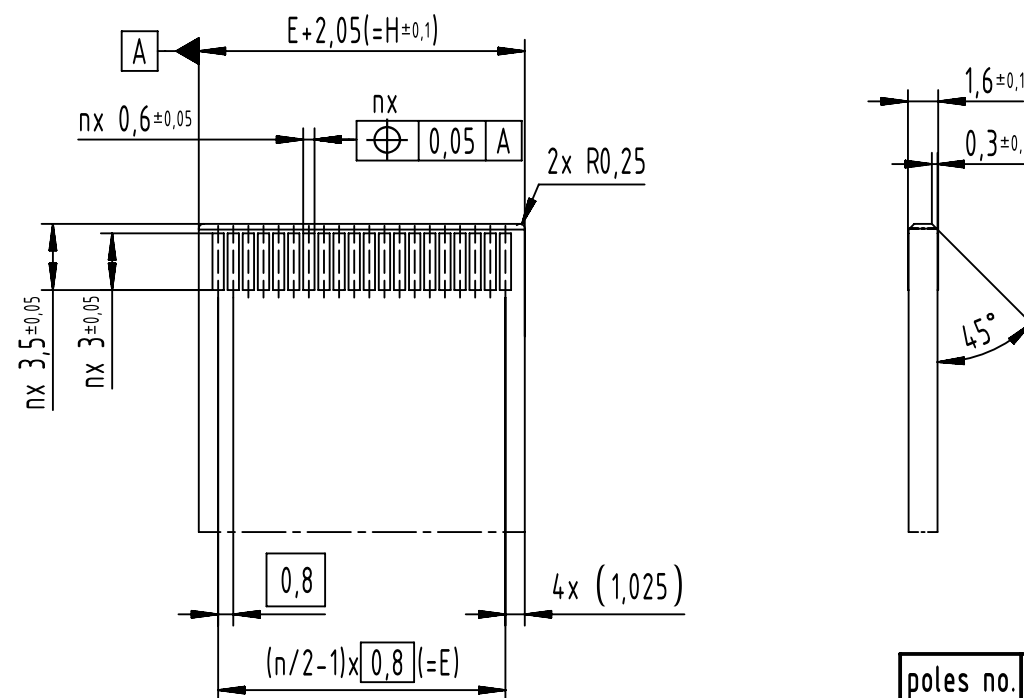
Packaging indices ("XXX" in part no.):

Index	Packaging unit	Packaging
000	200	Tape & Reel, one reel in one box
333	1	Tape

Reel dimension

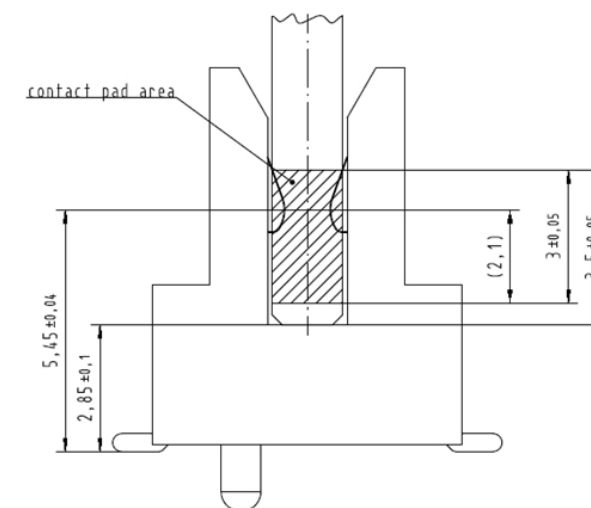


Recommended mating card layout



poles no. (=n)	E	H
20	7,2	9,25
40	15,2	17,25
60	23,2	25,25

Mating conditions



	All rights reserved	Created by ZENGO	Inspected by LUOK	Standardisation 302077	Date 2020-11-26	State Final Release	
	Department EL PD	Title har-flex HD-Card Edge 20 to 60-pole with THR				Doc-Key / ECM-Nr. 100745722/UGD/007/A 500000180186	
HARTING Electronics GmbH D-32339 Espelkamp		Type TB	Number 15030YYX401XXX			Rev. A	Page 2/2