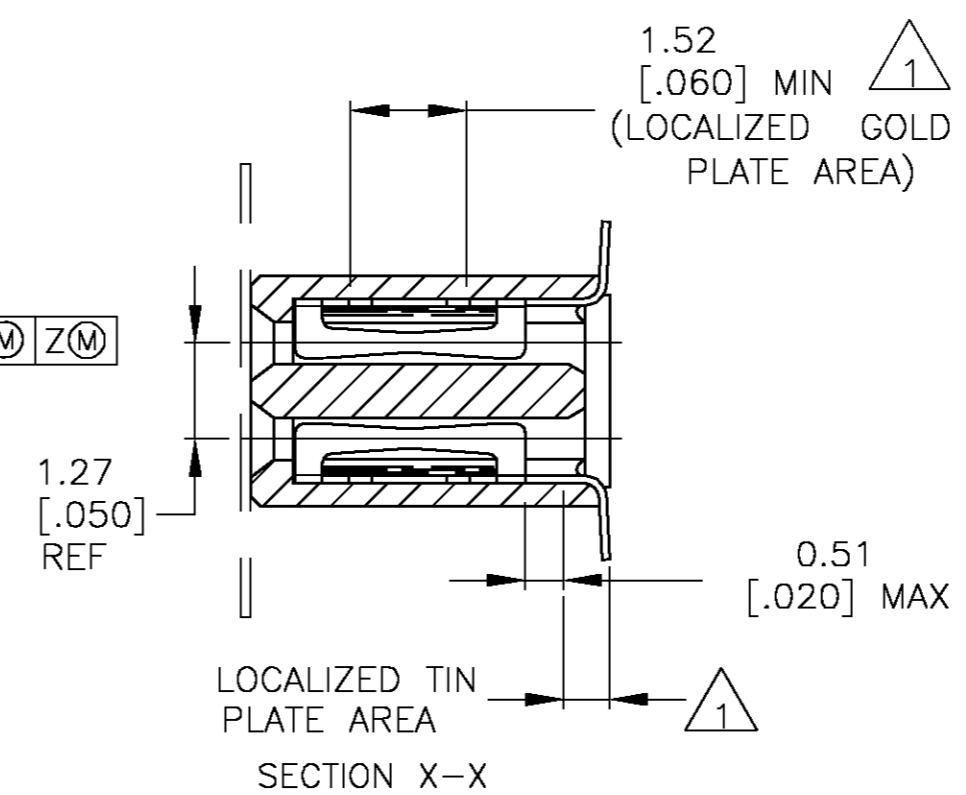
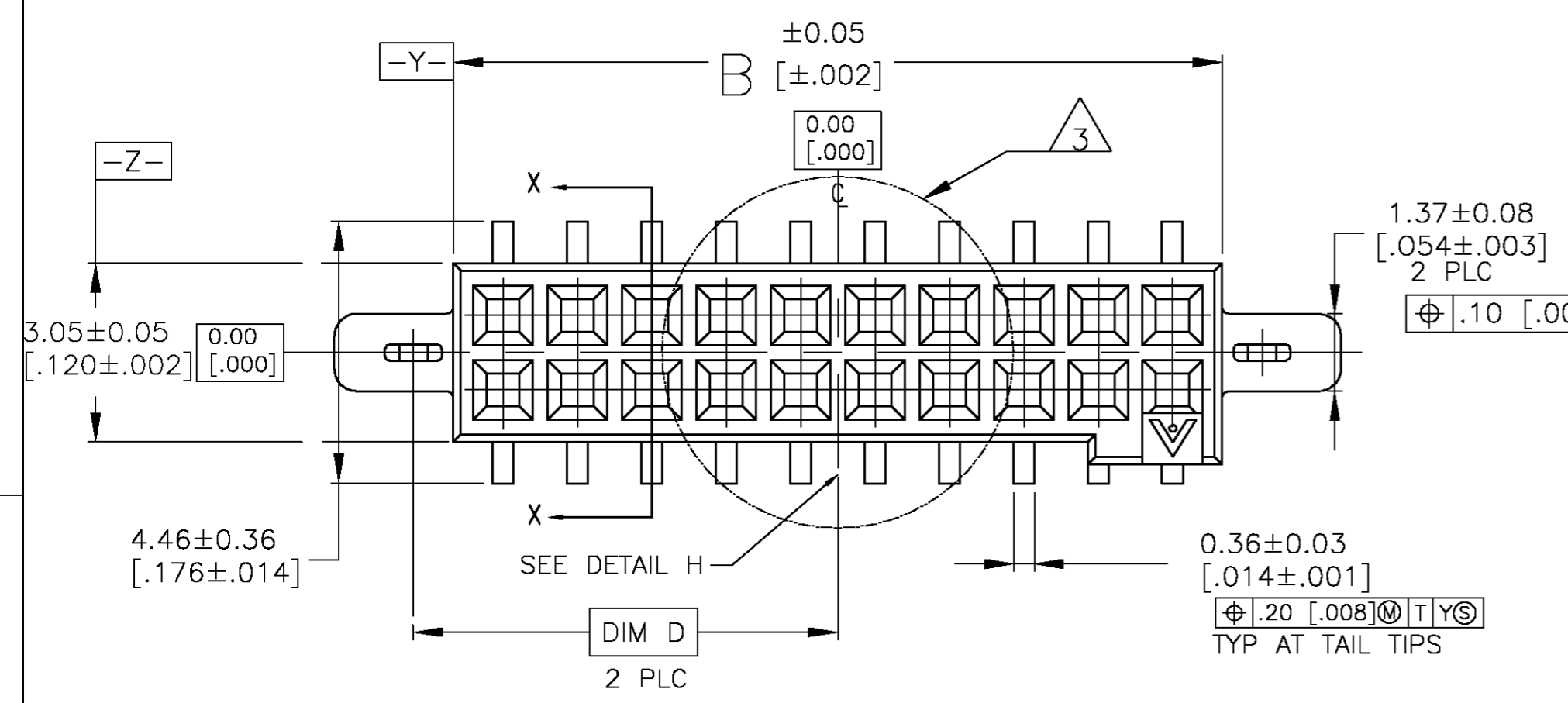
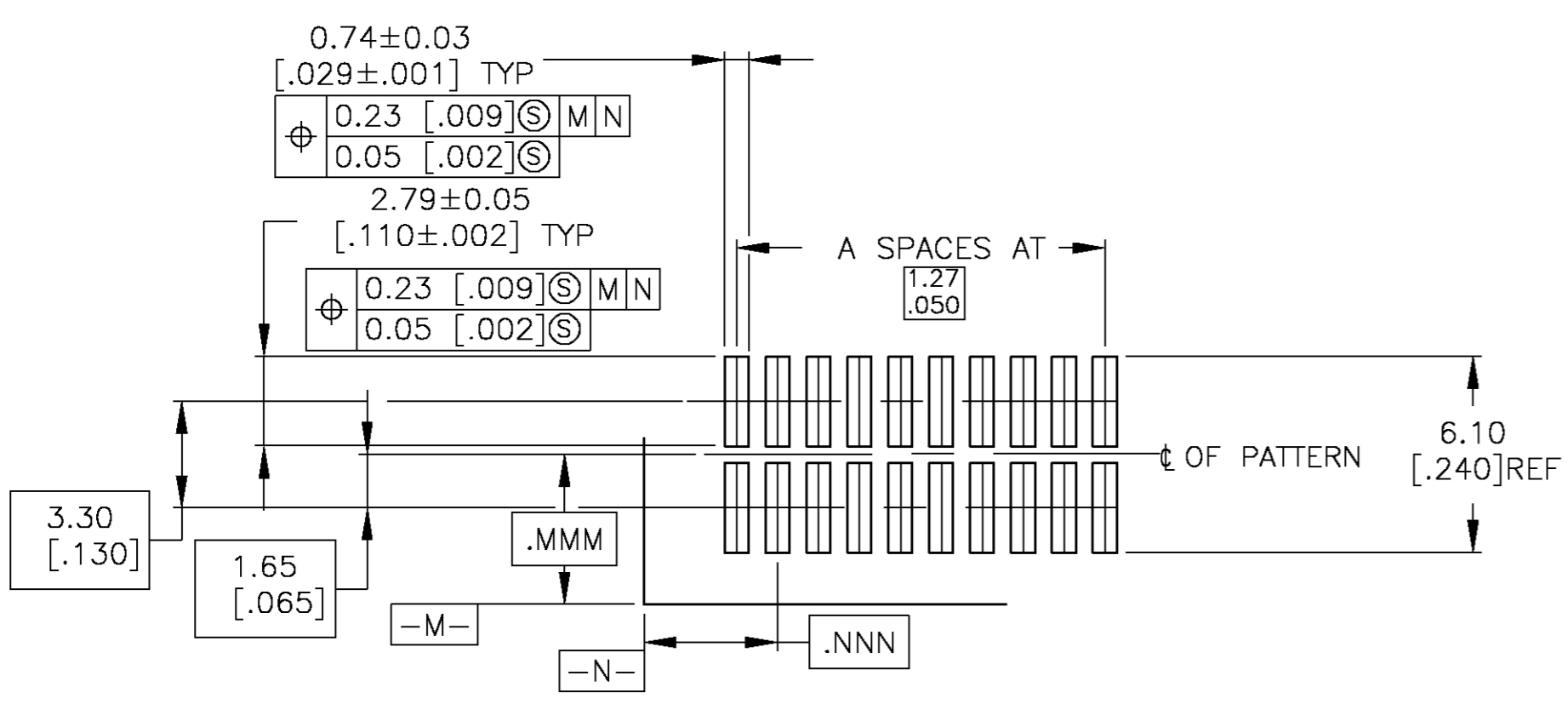
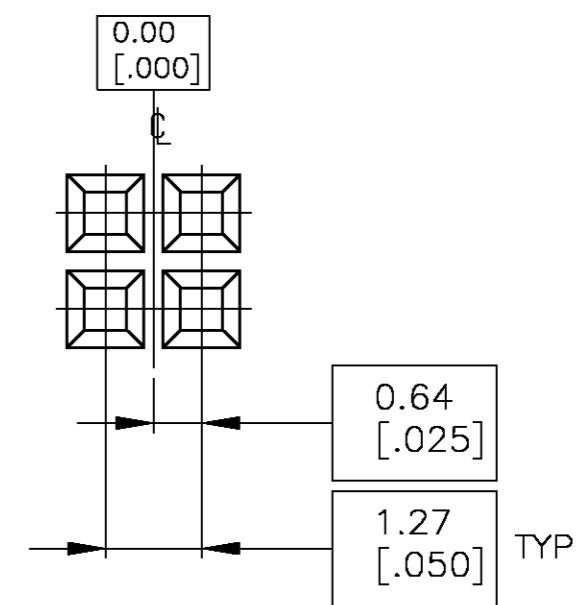
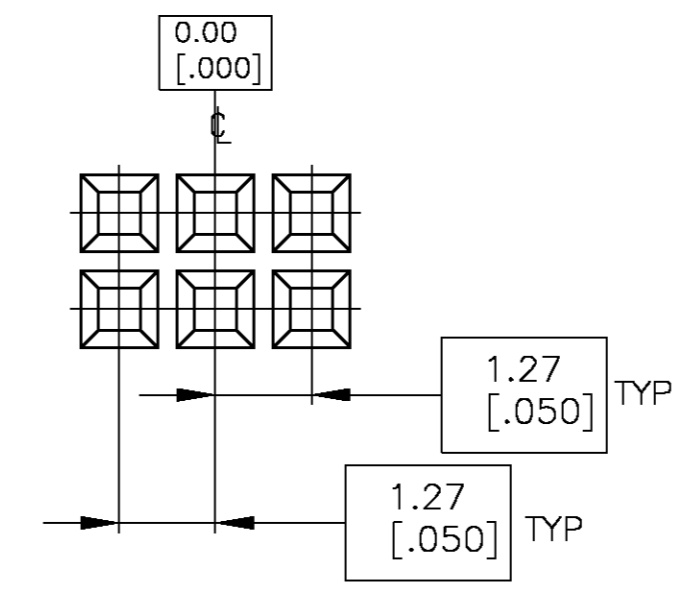
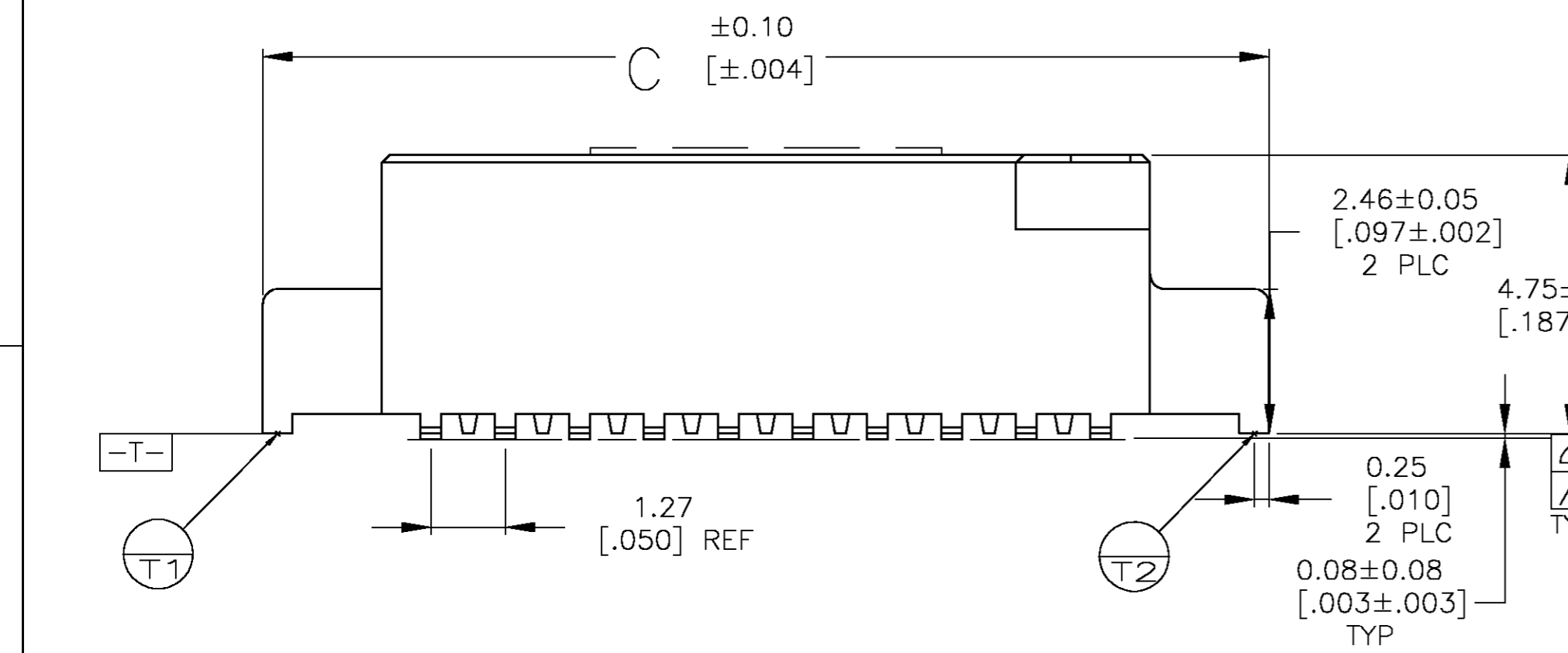


THIS DRAWING IS UNPUBLISHED. RELEASED FOR PUBLICATION
 © COPYRIGHT BY TYCO ELECTRONICS CORPORATION. ALL RIGHTS RESERVED.

LOC		DIST		REVISIONS			
P	LTR	DESCRIPTION	DATE	DWN	APVD		
E		EC 0G3C 0699 04	24NOV04	BSV	DLS		



- 0.00076 [$.000030$] GOLD IN LOCALIZED PLATE AREA
 0.00381 [$.000150$] TIN ON SOLDER TAILS
 ALL OVER 0.00127 [$.000050$] NICKEL
- IF PLANNING TO USE MORE THAN ONE MATING PAIR OF CONNECTORS TO INTERCONNECT 2 BOARDS, PLEASE REFER TO PARA. 3.3 IN THE APPLICATION SPEC, #114-7010
- KAPTON VACUUM PICK-UP BUTTON (SHOWN IN PHANTOM TO SHOW CONNECTOR DETAIL) .236 \pm .005 DIAMETER LOCATED $\phi \phi .039$ [Z] Y
- PACKAGED IN TAPE AND REEL PER EIA-481 SPECIFICATIONS, SEE CHART FOR TAPE WIDTHS.
- HOUSING: LCP, COLOR:BLACK.
 CONTACT: COPPER ALLOY PER ASTM SPECIFICATION B422.
 HOLDDOWN: COPPER ALLOY PER ASTM SPECIFICATION B194.
- 0.00076(.000030) GOLD IN LOCALIZED PLATE AREA,
 0.00381(.000150) TIN ON SOLDER TAILS, ALL OVER
 0.00127(.000050) NICKEL.



TAPE WIDTH	D	C	B	A	NO OF POS	PART NUMBER
32mm	4.06 [$.160$]	10.82 [$.426$]	6.75 [$.266$]	4	10	$\triangle 6$ 5-147120-2
56mm	16.76 [$.660$]	36.22 [1.426]	32.16 [1.266]	24	50	$\triangle 6$ 5-147120-1
32mm	4.06 [$.160$]	10.82 [$.426$]	6.75 [$.266$]	4	10	147120-2
56mm	16.76 [$.660$]	36.22 [1.426]	32.16 [1.266]	24	50	147120-1

THIS DRAWING IS A CONTROLLED DOCUMENT.

DIMENSIONS: mm [INCHES]	TOLERANCES UNLESS OTHERWISE SPECIFIED:	DWN T. SMITH 30 MAR 99	Tyco Electronics Corporation Harrisburg, Pa 17105-3608
0 PLC \pm -	1 PLC \pm -	CHK D. SIMPSON 30 MAR 99	
2 PLC \pm -	3 PLC \pm .005	APVD D.L.SIMPSON 30 MAR 99	NAME ASSEMBLY, RECEPTACLE, VERTICAL, DOUBLE ROW, SURFACE MOUNT, AMPMODU 50/50 GRID CONNECTOR
4 PLC \pm -	ANGLES \pm -	PRODUCT SPEC	SIZE A2 CAGE CODE 00779 DRAWING NO C=147120 RESTRICTED TO
MATERIAL - $\triangle 5$	FINISH - $\triangle 1$	APPLICATION SPEC	WEIGHT -
CUSTOMER DRAWING		SCALE 10:1	SHEET 1 OF 1 REV E