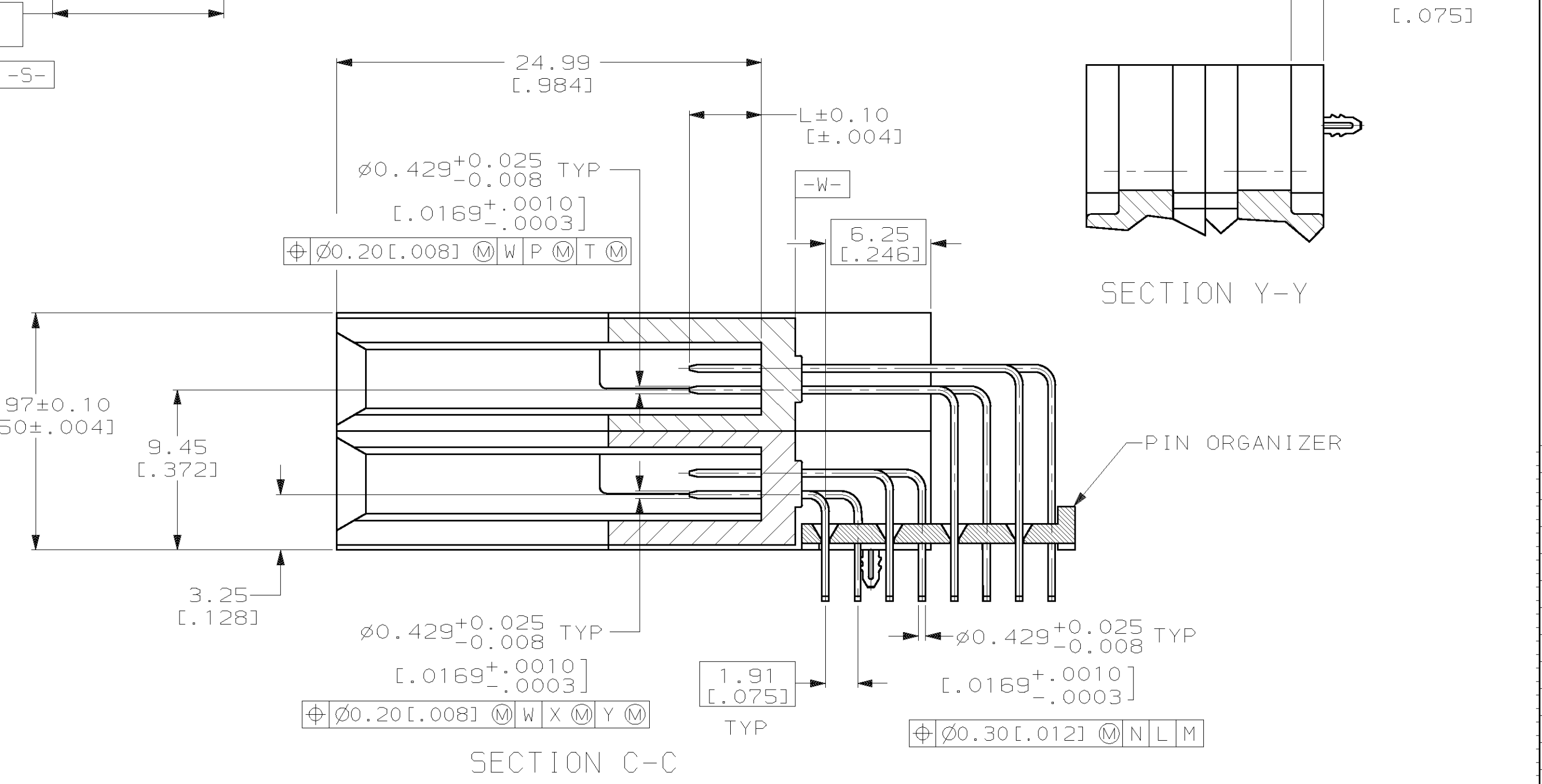
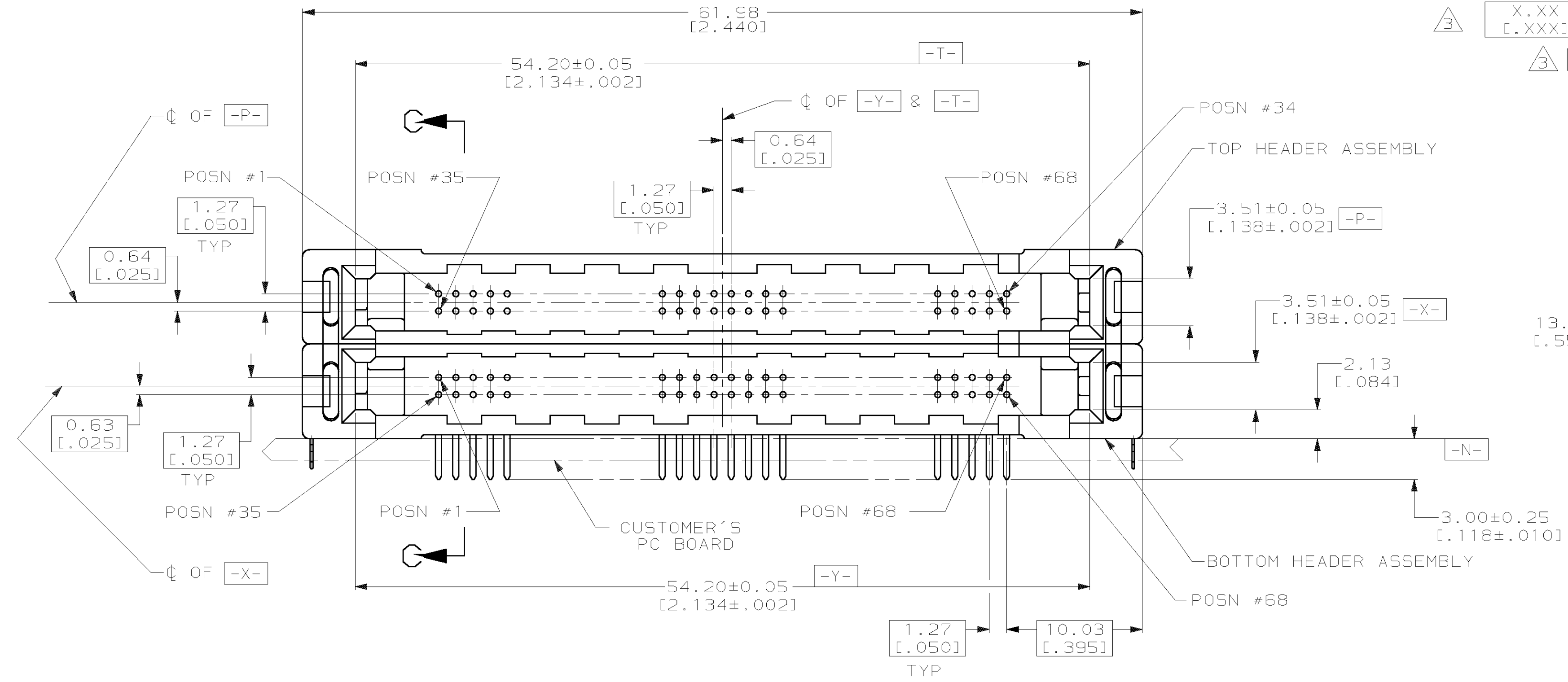
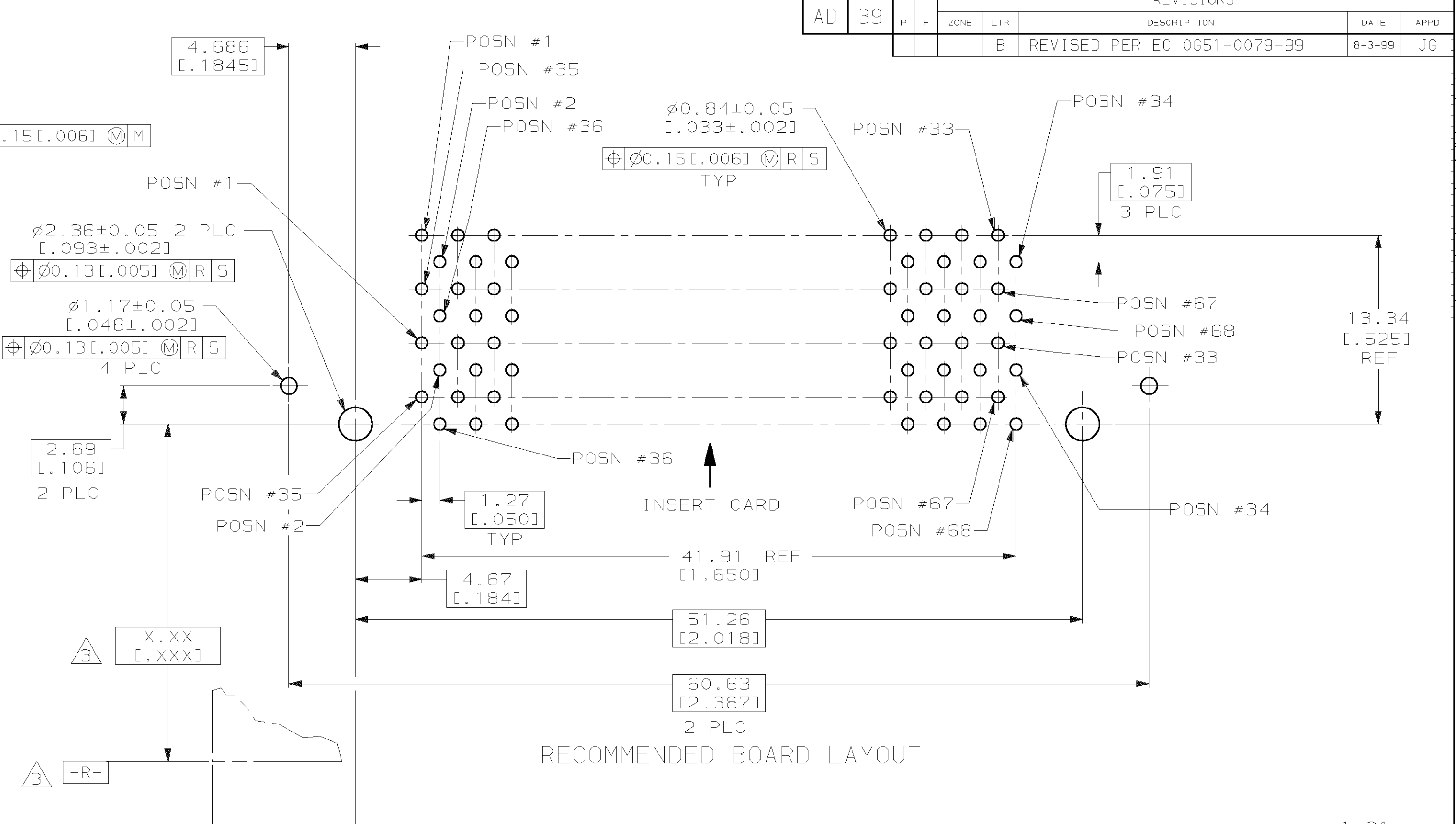
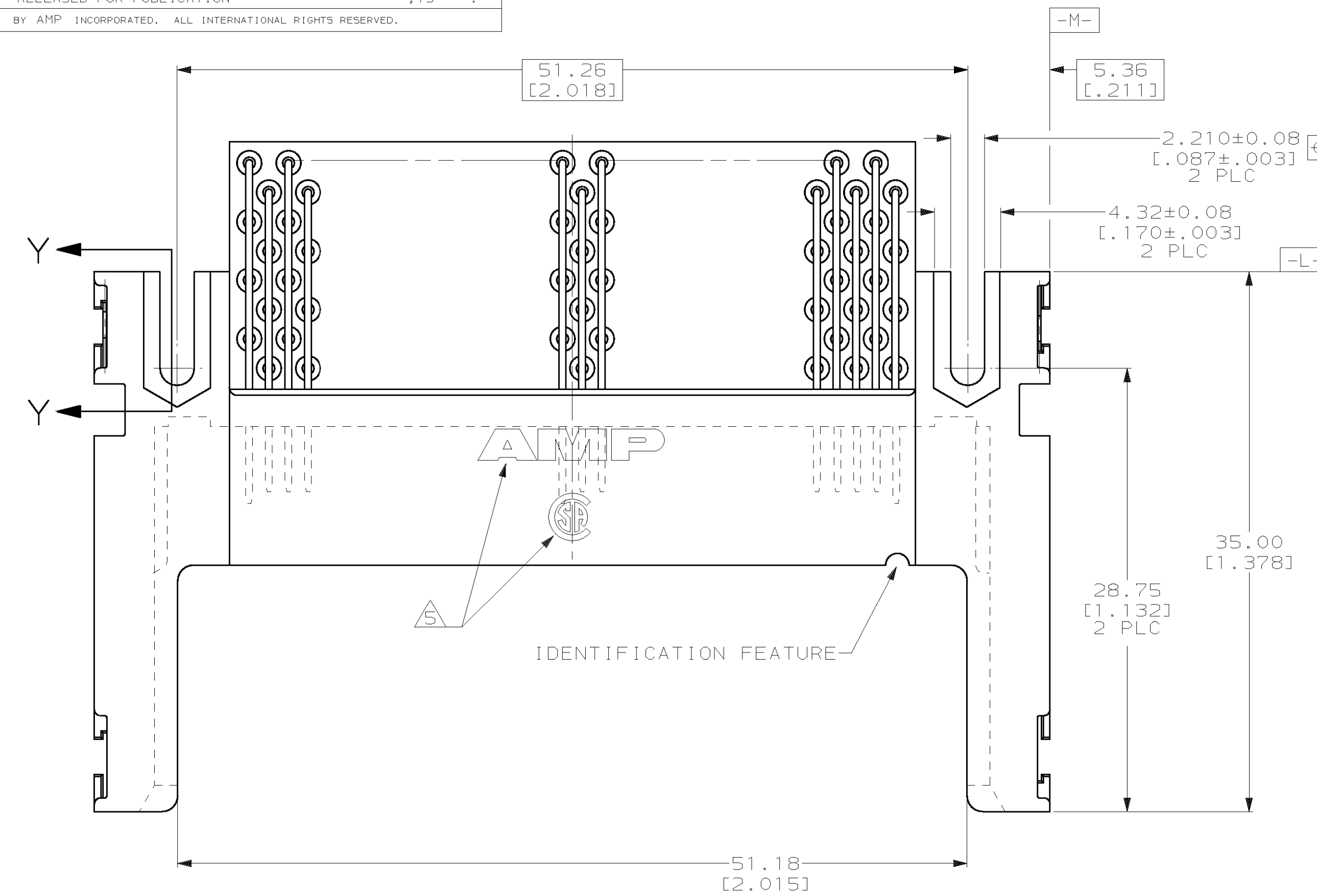


REVISED PER EC 0651-0079-99				DATE	APPD
LOC	DIST	P	F	8-3-99	JG
AD	39				



- 1. 0.00076[0.000030] MINIMUM GOLD IN CONTACT AREA, 0.00381[0.000150] MIN TIN-LEAD ON SOLDER TAILS, ALL OVER 0.00127[0.000050] MINIMUM NICKEL
- 2. CUSTOMER TO PROVIDE CARD GUIDANCE SYSTEM
- 3. DATUMS AND BASIC DIMENSIONS ESTABLISHED BY CUSTOMER
- 4. CONNECTOR REQUIRES USE OF 2 - SIZE 2M SCREWS FOR FASTENING TO PRINTED CIRCUIT BOARD
- 5. RECESSED AMP AND CSA LOGOS LOCATED ON BOTH SIDES OF HOUSINGS.

1, 17, 34	ALL	36, 67	146028-1
35, 51, 68	OTHER PINS		
5.0	4.25	3.5	
[0.197]	[0.167]	[0.138]	
"L" (PIN LENGTH) AND LOCATION			PART NO

DO NOT SCALE PRINT. UNLESS SPECIFIED DIMENSIONS IN mm [INCHES] TOLERANCES ON: 2 PLC DEC ± 0.13 [0.005] 3 PLC DEC ± - ANGLES ± -	DR 9/3/93 J MOSER CHK 9/3/93 B ELICKER APPD 9/3/93 B ELICKER APPD 9/3/93 B ELICKER PRODUCT SPEC - APPLICATION SPEC - WEIGHT 16.1 GRAMS	AMP Incorporated Harrisburg, PA 17105-3608 NAME STACKED PIN HEADER ASSEMBLY, 136 POSN, TOP BOARD MOUNTING, THRU-HOLE, WITH 2 HOLD-DOWNS, AMP MEMORY CARD SIZE D CAGE CODE 00779 DRAWING NO C-146028 SCALE 4:1 SHEET 1 OF 1
---	--	--

THIS DRAWING IS A CONTROLLED DOCUMENT FOR AMP INCORPORATED. IT IS SUBJECT TO CHANGE AND THE CONTROLLING ENGINEERING ORGANIZATION SHOULD BE CONTACTED FOR THE LATEST REVISION.