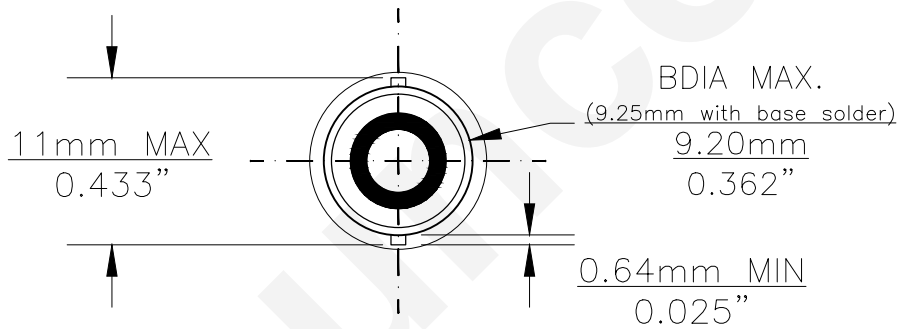
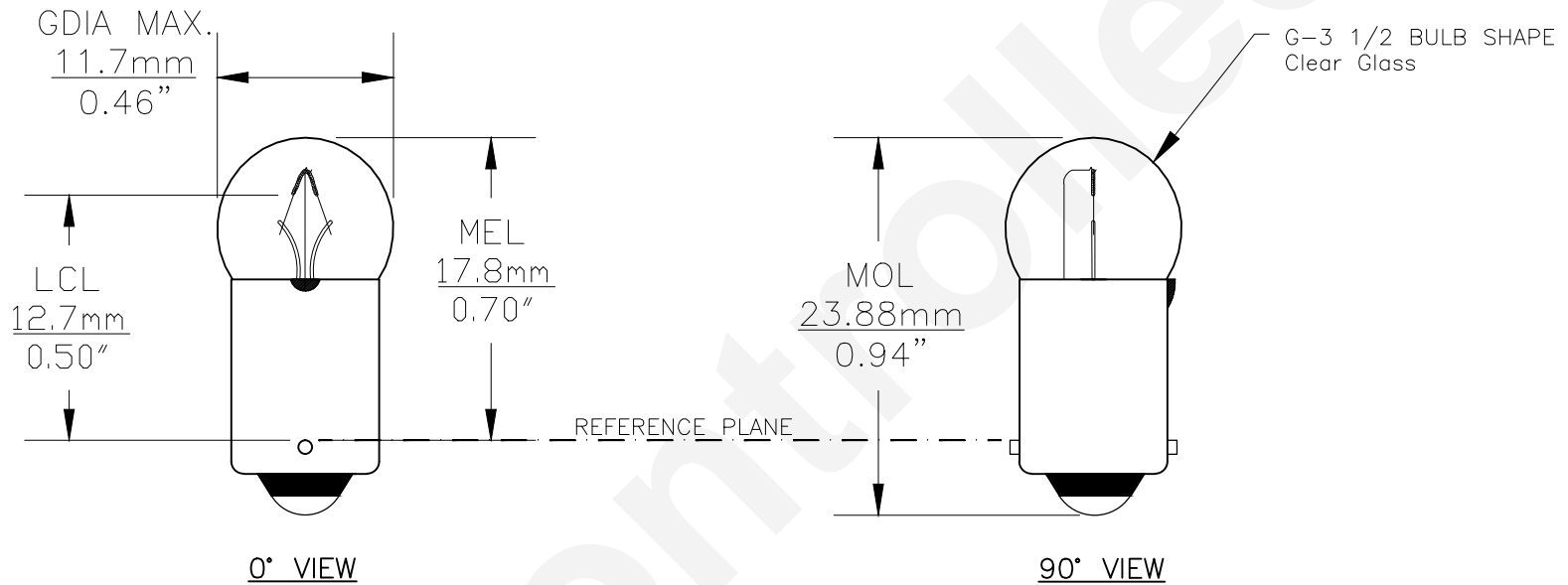




PART NO.	BASE TYPE	DESIGN VOLTS	DESIGN AMPS	MSCD	FILAMENT TYPE	AVERAGE LIFE HOURS	REVISIONS			
							REV #	DESCRIPTION	DATE	APPROVED
1445	MINIATURE BAYONET (BA9s)	14.4V	0.13±20%	0.7±20%	C-2V	2000	1	ISSUED	06/22/2001	E.S.
							2	REVISED VIEW	02/06/2014	R.M.



Note: Made according to SAE specifications

UNLESS OTHERWISE SPECIFIED: DIMENSIONS ARE IN INCHES TOLERANCES		CEC INDUSTRIES LTD			
DECIMALS	ANGULAR	599 BOND STREET		LINCOLNSHIRE, IL 60069	
.XX ± .05	± 0.5°				
.XXX ± .010					
FRACTIONAL	± 1/64				
DRAWN ELIZABETH SONANES	DATE 06/22/2001	TITLE LIGHT BULB NO. 1445			
CHECKED		SIZE A	FSCM NO.	DWG NO. 1445	REV 2
DESIGN		SCALE	PLOT SCALE	SHEET 1 OF 1	
MATERIAL		FILE 1445.pdf	DRAWING NOT TO SCALE		

BASE BOTTOM VIEW