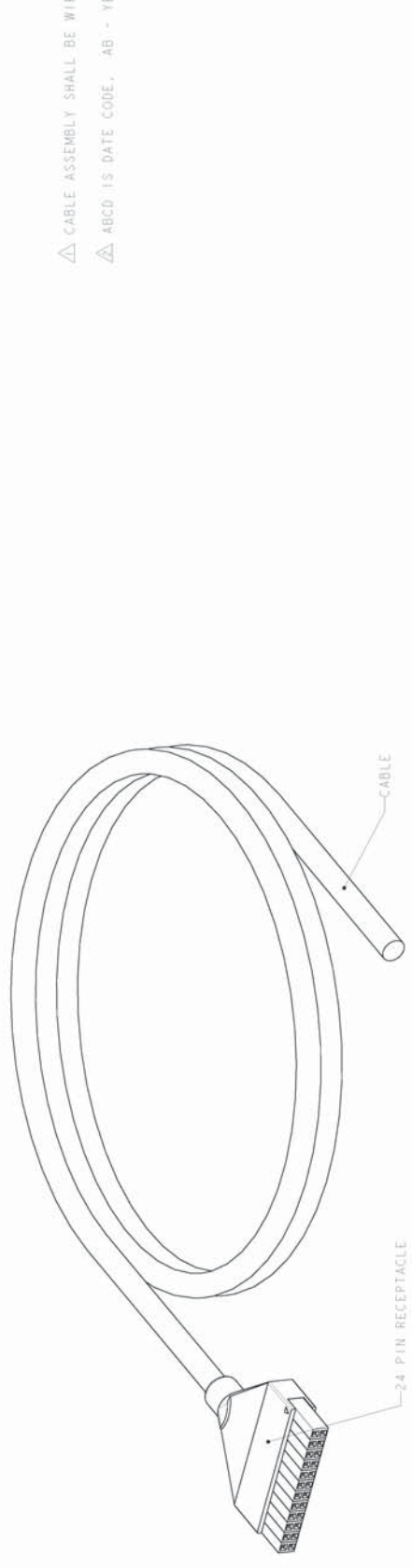


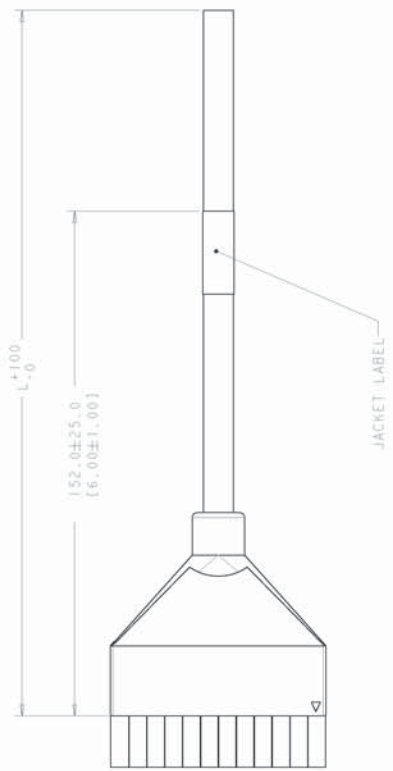
REV	DATE	BY	DESCRIPTION
1	18-2	ESB	ESB-RT2-03
2		ESB	ESB-RT2-03
3		ESB	ESB-RT2-03



△ CABLE ASSEMBLY SHALL BE WIRED PER WIRING DIAGRAM.
 △ ABCD IS DATE CODE. AB - YEAR, CD - WEEK.

CONDUCTOR NO.	INSULATION COLOR	CONNECTOR I PIN NO.
1	WHITE/BLUE	1
2	BLUE/WHITE	2
3	WHITE/ORANGE	3
4	ORANGE/WHITE	4
5	WHITE/GREEN	5
6	GREEN/WHITE	6
7	WHITE/BROWN	7
8	BROWN/WHITE	8
9	WHITE/GRAY	9
10	GRAY/WHITE	10
11	RED/BLUE	11
12	BLUE/RED	12
13	RED/ORANGE	13
14	ORANGE/RED	14
15	RED/GREEN	15
16	GREEN/RED	16
17	RED/BROWN	17
18	BROWN/RED	18
19	RED/GRAY	19
20	GRAY/RED	20
21	BLACK/BLUE	21
22	BLUE/BLACK	22
23	BLACK/ORANGE	23
24	ORANGE/BLACK	24

(P-1)
CONNECTOR I



7	15000.0	1-1435487-5
6	10000.0	1-1435487-0
5	5020.0 - 5170.0 [197.64 - 203.54]	1435487-5
4	4000.0	1435487-4
3	3000.0	1435487-3
2	2010.0 - 2110.0 [79.13 - 83.07]	1435487-2
1	1000.0	1435487-1
METER		L
		PART NO.

△ AMPTRAC I/O CABLE 24AWG FH01-LSZH-ABCD
 CABLE MARKING

tyco Electronics Inc. The Connector for Every Use
 Tyco Electronics Americas, Inc.
 AMPTRAC I/O CABLE TO INC
 LSZH
 A 03719 1435487