

NOTES:

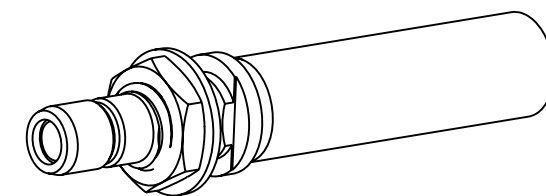
1. MATERIALS AND FINISHES:
 BODY, CONTACT PIN, BARREL, LOCK WASHER & HEX NUT - BRASS, GOLD PLATING
 INSULATORS - PTFE, NATURAL
 FERRULE - COPPER, GOLD PLATING
 HEAT SHRINK TUBE - POLYOLEFIN, BLACK
2. ELECTRICAL:
 A. IMPEDANCE: 50 OHM
 B. FREQUENCY: DC - 4 GHz.
 C. VSWR: 1.30 MAX.
 D. DIELECTRIC WITHSTANDING VOLTAGE: 1000 VRMS, MIN.
3. MECHANICAL:
 A. DURABILITY: 500 CYCLES MIN.
 B. TEMPERATURE RANGE: -40°C TO +155°C

4. PACKAGING:
 A. QUANTITY: SINGLE PACK
5. CABLE ASSEMBLY INSTRUCTIONS:
 A. TRIM CABLE AS SHOWN.
 B. SLIDE HEAT SHRINK TUBE & FERRULE ONTO CABLE.
 C. CRIMP CONTACT TO CABLE CENTER CONDUCTOR WITH 0.028" SQUARE DIE.
 D. INSERT CABLE INTO CONNECTOR AND BRAID OVER KNURL.
 E. CRIMP FERRULE OVER BRAID WITH 0.151" HEX DIE.
 F. APPLY HEAT SHRINK TUBE OVER FERRULE.

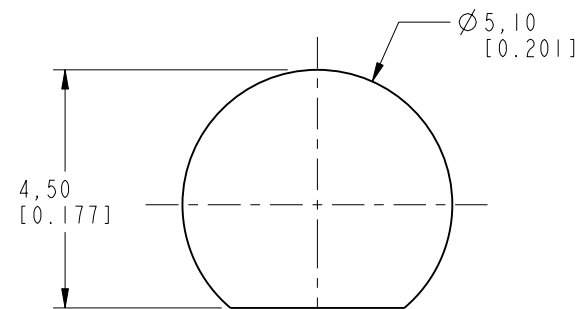
6 SHOWS CABLE ENTRY DIMENSIONS.

THIRD ANGLE PROJ.

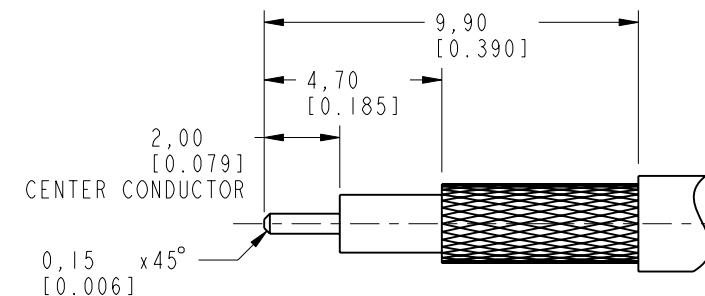
| REVISIONS | | | | |
|-----------|---|-----------|-------|------|
| REV | DESCRIPTION | DATE | ECN | APPR |
| A | RELEASE TO MFG. | 23-Aug-07 | -- | ET |
| B | FORMAT UPDATED TO BSIZE_GLOBAL & IMPERIAL UNITS ADDED, OPTIMIZE | 24-May-18 | 08661 | KCE |



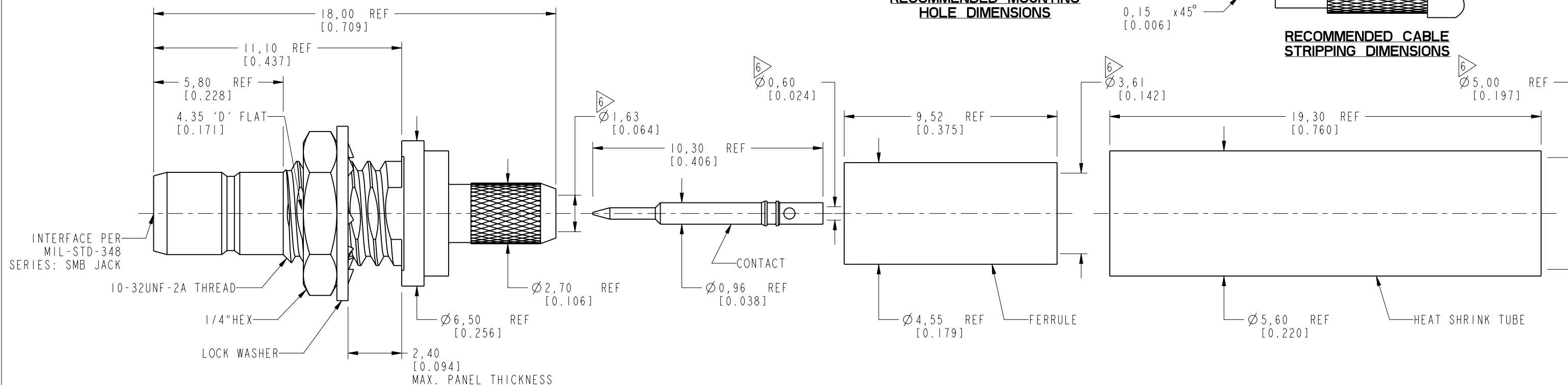
SCALE 2.500



RECOMMENDED MOUNTING HOLE DIMENSIONS



RECOMMENDED CABLE STRIPPING DIMENSIONS



CUSTOMER OUTLINE DRAWING

ALL OTHER SHEETS ARE FOR INTERNAL USE ONLY

| | | | | | | |
|---|------------------------------|----------|-----------|--------------------------------------|-------|--|
| UNLESS OTHERWISE SPECIFIED, DIMENSIONS ARE IN METRIC AND TOLERANCES ARE: <0.5mm ±0.05mm 0.5 - 6mm ±0.1mm 6 - 30mm ±0.2mm 30 - 120mm ±0.3mm ANGLES ±1° | MATERIAL | DRAWN | DATE | TITLE | | Amphenol RF www.amphenolrf.com |
| | SEE NOTES | W. ZENG | 26-Jul-18 | SMB STR BHD JACK FOR RG 316U/D CABLE | | |
| NOTICE - These drawings, specifications, or other data (1) are, and remain the property of Amphenol corp. (2) must be returned upon request; and (3) are confidential and not to be disclosed to any person other than those to whom they are given by Amphenol Corp. the furnishing of these drawings, specifications, or other data by Amphenol Corp., or to any other person to anyone for any purpose is not to be regarded by implication or otherwise in any manner licensing, granting rights to permitting such holder or any other person to manufacture, use or sell any product, process or design, patented or otherwise, that may in any way be related to or disclosed by said drawings, specifications, or other data. | REFERENCE | ENGINEER | DATE | SCALE: 5.8:1.0 SHEET 2 OF 2 | | DRAWING NO. SMB1421A1-013-3GT30G-50 |
| | EAR# 7820 | S. DUAN | 30-Jul-18 | DWG SIZE B | | ITEM NO. 121421AAQ35GE5F |
| | REF: 142192 | APPROVED | S. HSIEH | DATE | REV B | PART NO. 142192 |
| | CONFIGURATION LEVEL: In Work | CAD FILE | | 30-Jul-18 | | |
| FINISH | | | | | | |