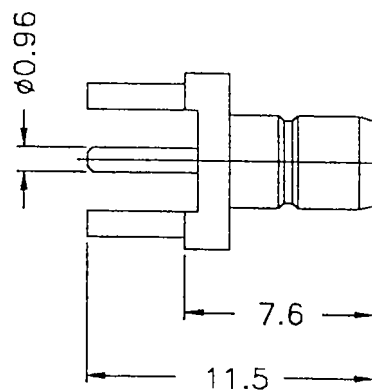
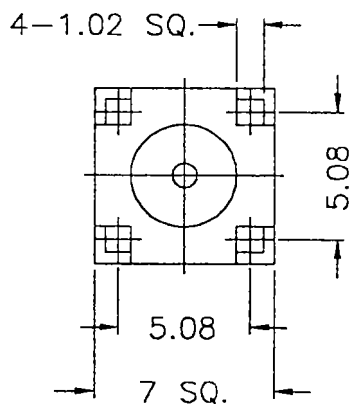



REV.	DATE	DESCRIPTION
NC	9-4-96	INITIAL RELEASE



DESCRIPTION	MATERIAL	FINISH	DIMENSIONS ARE IN MILLIMETERS UNLESS OTHERWISE SPECIFIED TOLERANCES ARE:	APPROVALS	DATE				
1	BODY	BRASS	NICKEL		9-4-96				
2	INSULATOR	TEFLON	NATURAL	DRAWN G.R.S		SIZE	FSCM NO.	DWG. NO.	REV.
3	CONTACT	BRASS	GOLD	CHECKED		A	99001	142136.DWG	NC
4				ISSUED		SCALE	PART NO.	SHEET	
5						4:1	142136	1 OF 1	
6			0.5-6 = ± 0.2						
7			6-30 = ± 0.4						
8			30-120 = ± 0.6						
			120-315 = ± 1						
			315-1000 = ± 1.6						
			1000-2000 = ± 2.4						
			DO NOT SCALE DRAWING						