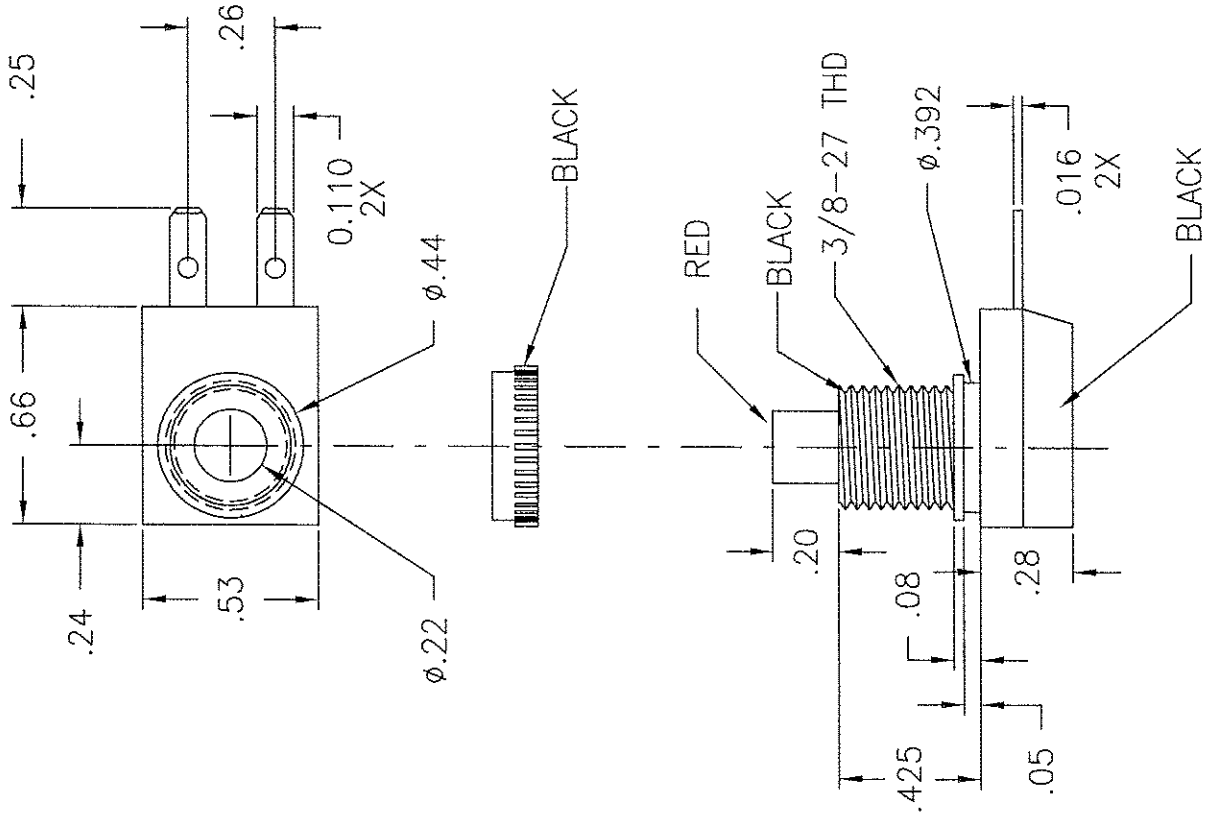


LTR	EN	DESCRIPTION	APPR	BY	DATE
A	-	INITIAL RELEASE	RB	NH	04-02-03
B	-	CHANGE CUSTOMER NAME & UPDATE DRAWING.	MT	DC	01-28-08

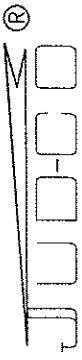


JUDCO INVENTORY NO. 40-1672-02  
 SWITCH TYPE: PUSH ON-PUSH OFF, SPST  
 NUT INCLUDED

ELECTRICAL RATING 14VDC, 2A  
 CUSTOMER:  
 CUSTOMER P/N:  
 APPROVED BY: \_\_\_\_\_  
 DATE: \_\_\_\_\_

DIMENSIONS IN INCHES DIMENSIONS ARE REFERENCE	DRAWN:	NH	04-02-03
	APPR:	KJ	01-28-08
	ENG'G:	IS	01-28-08
1415U378B.DWG			
SHEET			
1 OF 1			

 HARBOR CITY CALIFORNIA	TITLE	OUTLINE
		J-188A-1
	DWG. NO.	1415-378

This document embodies a product, component, and/or design proprietary to JUDCO MANUFACTURING INC., and which is protected either as a trade secret, by U.S. Patent, or by copyright. It may not be used in any way without written express consent of JUDCO MANUFACTURING INC.