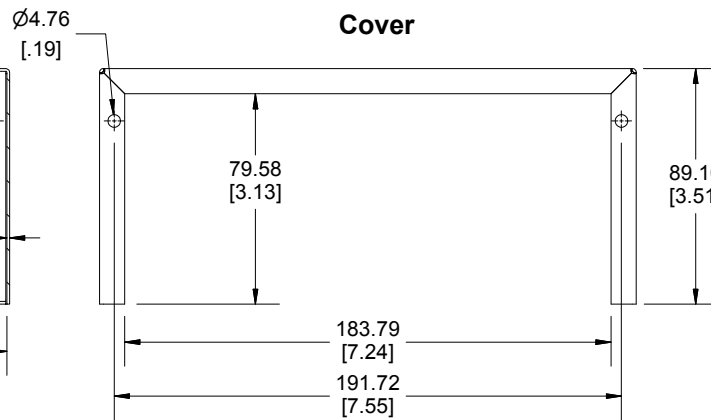
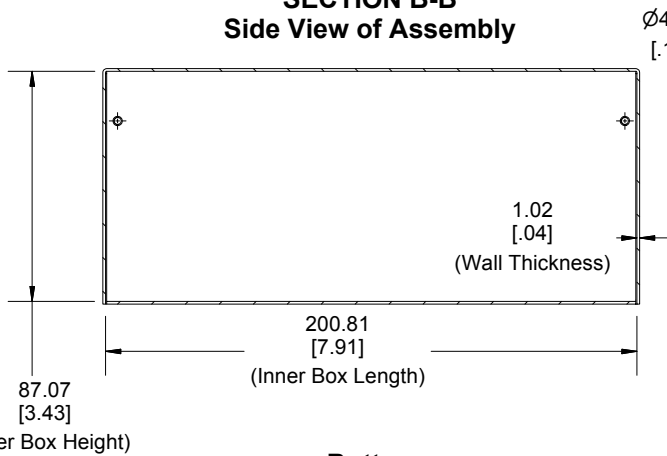
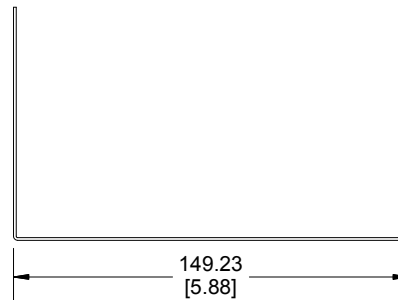
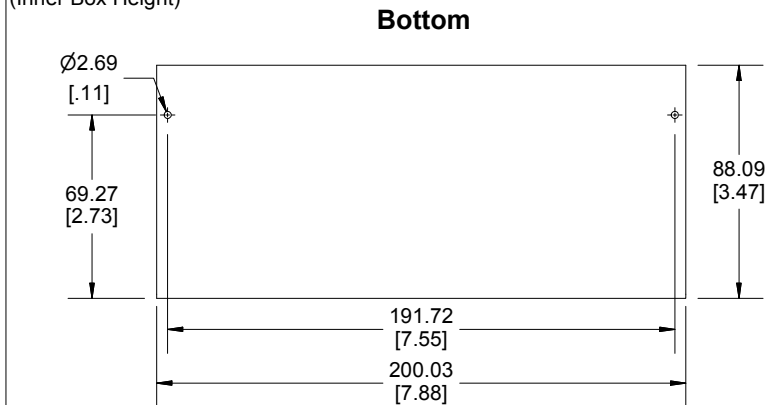


**SECTION B-B
Side View of Assembly**



Enclosures can be Factory Modified (Milling, Drilling, Printing etc.)
Contact Factory mjm@hammondmfg.com for quotes
Solid models of this enclosure available in STEP or IGES.



NOTE	
Purchased assembly includes bottom, cover and 4 cover screws. Bottom and cover are made from 0.04" Aluminum Panels.	
PART NUMBERS	
1411R Enclosure	
Natural Finish Enclosure	1411RU
ASA 61 Grey Enclosure	1411R
ACCESSORIES	
Plated Cover Screws (Pkg 6) [6-32 x 1/4" Self-Tapping Screws]	1421J6

Dimensions:
mm
[inches]

**HAMMOND
MANUFACTURING™**

1411R

www.hammondmfg.com