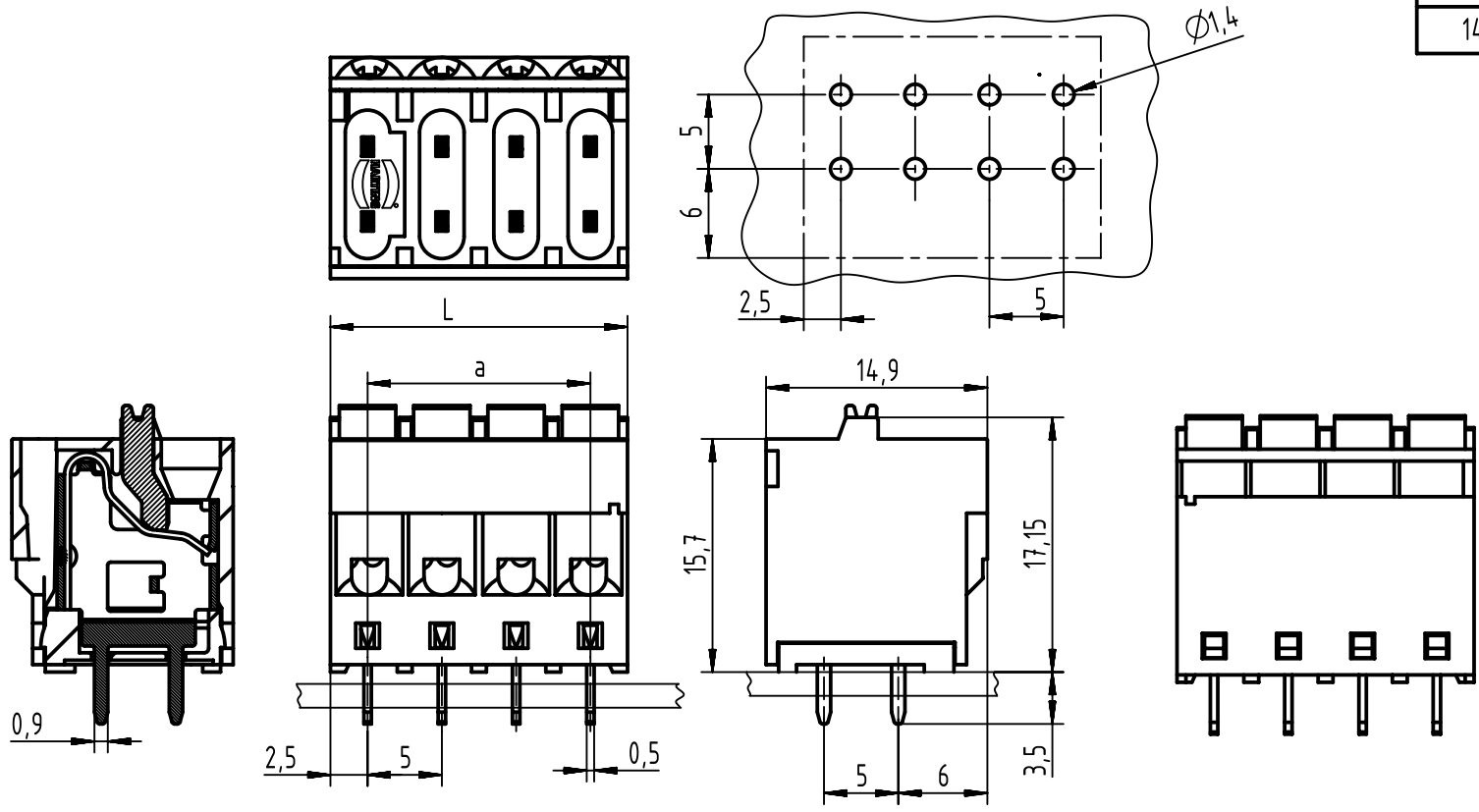


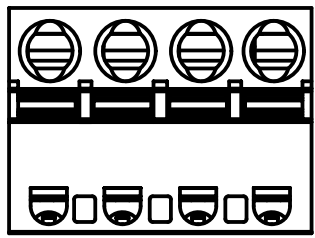
1                      2                      3                      4                      5                      6

Part number	Poles	Dim. a	Dim. L
14 020216101000	2	5,00	10,00
14 020316101000	3	10,00	15,00
14 020416101000	4	15,00	20,00

A  
  
B  
  
C  
  
D



further information see DS 14037401501



	All rights reserved Department EL PD	All Dimensions in mm Original Size DIN A4		Scale 2:1	Free size tol.	Ref. Sub. 1402XX16101XXX / 500000085842 / 2015-03-30	
		Created by ZHUANGJ	Inspected by LUOK	Standardisation HOFFMANN	Date 2020-03-25	State Final Release	
HARTING Electronics GmbH D-32339 Espelkamp			Title har-flexicon 5.00 TTPV-XX BK			Doc-Key / ECM-Nr. 100610733/UGD/000/C 500000169386	
			Type TB	Number 1402XX16101XXX		Rev. C	Page 1/1