

PART NAME: KNOB SCALE: 1:1 DATE: 7/3/96 DR. BY HD

DAVIES MOLDING COMPANY
CAROL STREAM, ILLINOIS 60188

P/N 1400CT

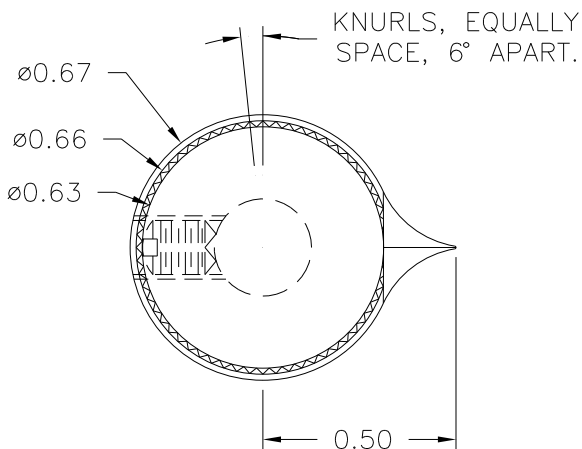
THIS DRAWING IS THE PROPERTY OF DAVIES MOLDING COMPANY, IS SUBMITTED SOLELY AS A DESIGN OR ENGINEERING PROJECT. WE ACCEPT NO RESPONSIBILITY WHATSOEVER FOR THE PRACTICAL APPLICATION OF THE PIECES MADE TO THIS DESIGN.

BASE PART 1400-33

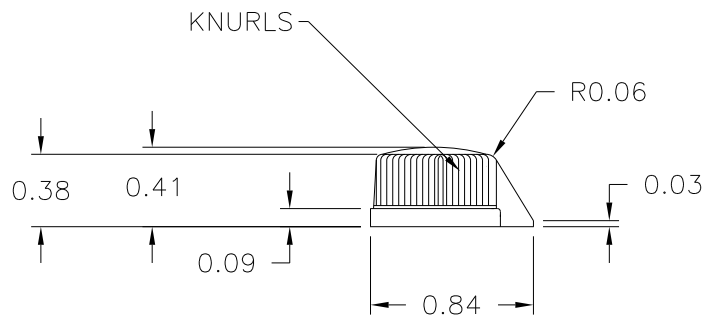
SET SCREW I0328

SCALE 2 : 1

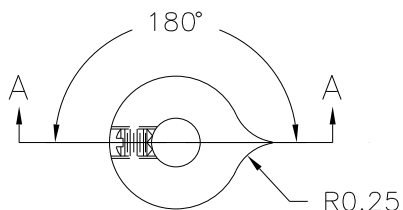
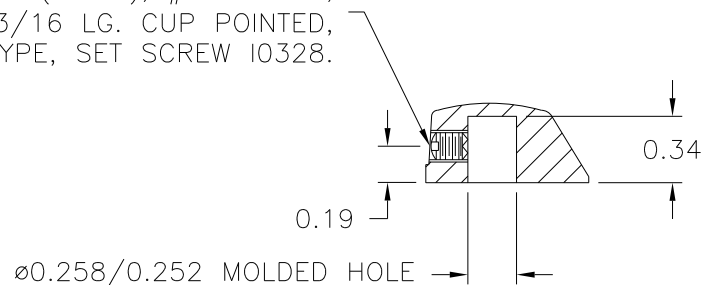
(A)



SECTION A-A



USE #28 DRILL (0.140), #8-32 TAP, #8-32 X 3/16 LG. CUP POINTED, SLOTTED TYPE, SET SCREW I0328.



MATERIAL: PLENCO, PENOLIC (V32)
COLOR: MUP 32 IVORY

TOLERANCES: UNLESS OTHERWISE SPECIFIED	DO NOT SCALE DRAWING				
DECIMALS: X.XXX ± .005 X.XX ± .015	MM: X.XX ± 0.15MM X.X ± 0.4MM	A	ADDED BASE PART	EW	6/30/14
FRACTIONS ± 1/64	ANG. ± 1°	CHANGES			