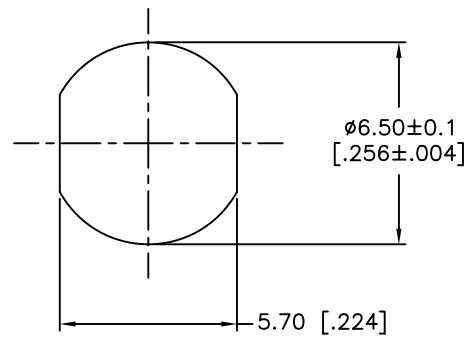
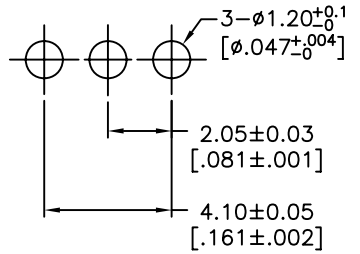


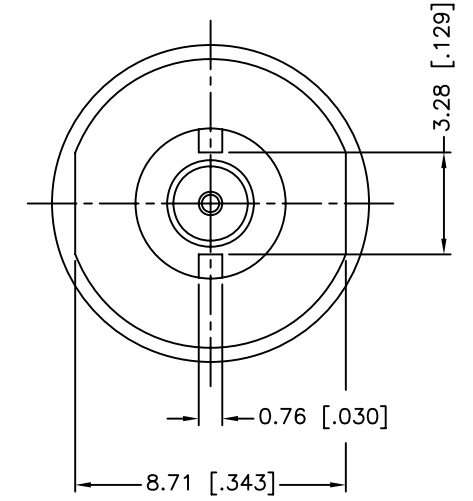
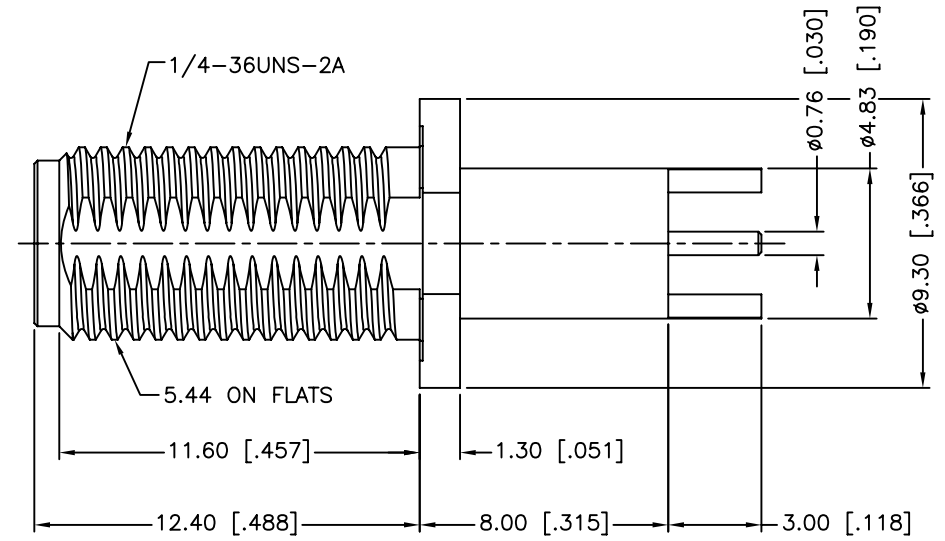
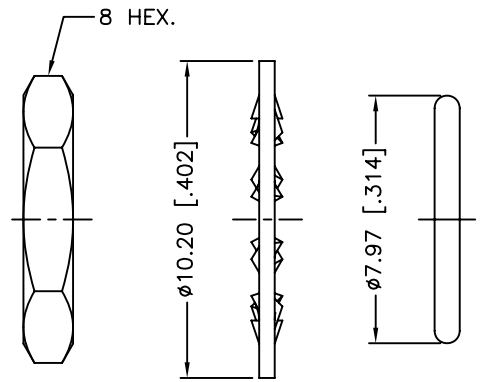
REV.	DATE	ECR NO.	DESCRIPTION
NC	12/22/10	XXXXX	INITIAL RELEASE



RECOMMENDED MOUNTING HOLE



PCB MOUNTING HOLES



1. FREQUENCY RANGE: DC 0-6 GHz
2. VSWR(RETURN LOSS): 1.35, MAX.
3. SEALING REQUIREMENT: IP-68 MUST WITHSTAND 30PSI AT 1 METERS DEPTH OF WATER FOR 30 MINUTES WITHOUT ANY SIGNS OF LEAKAGE
4. MAX. PANEL THICKNESS= 9 mm

DESCRIPTION	MATERIAL	FINISH	QTY	
7	HEX NUT	BRASS	GOLD	1
6	LOCK WASHER	BRASS	GOLD	1
5	O-RING	SILICON RUBBER	RED	1
4	CONTACT PIN	PHOSPHOR BRONZE	GOLD	1
3	O-RING	SILICON RUBBER	RED	1
2	INSULATOR	PTFE	NATURAL	1
1	BODY	BRASS	GOLD	1

UNLESS OTHERWISE SPECIFIED DIMENSIONS ARE IN MILLIMETERS. DIMENSIONS IN [] ARE IN INCHES AND FOR CUSTOMER REFERENCE ONLY.	APPROVALS	DATE
	DRAWN M.ZHANG	12/22/10
UNLESS OTHERWISE SPECIFIED TOLERANCES FOR MILLIMETERS ARE: 0.5 - 8mm ± 0.20mm 8 - 30mm ± 0.40mm 30 - 120mm ± 0.50mm	CHECKED	
	ISSUED	
UNLESS OTHERWISE SPECIFIED TOLERANCES FOR INCHES ARE: .020 - .315 = ± 0.007" .315 - 1.180 = ± 0.015" 1.180 - 4.724 = ± 0.020"	SHEET	1 OF 1
	CAD FILE	C:/CONNEX/132421.DWG
DO NOT SCALE DRAWING		

Amphenol Connex

PART DESCRIPTION
**SMA BULKHEAD RECEPT.
JACK, IP-68 COMPLIANT**

PART NO.
132421

DWG. NO. 132421.DWG REV. NC SIZE A SCALE NA