

## Waterproof USB Connectors

### M22-Panel mount Connector

Front mounting  
with USB 2.0 Type A

Protection: IP 64 / IP67  
(Assembled with CAP)

Contacts: 4 + 1 (Shield)

Housing material: Plastic, Black (PA)

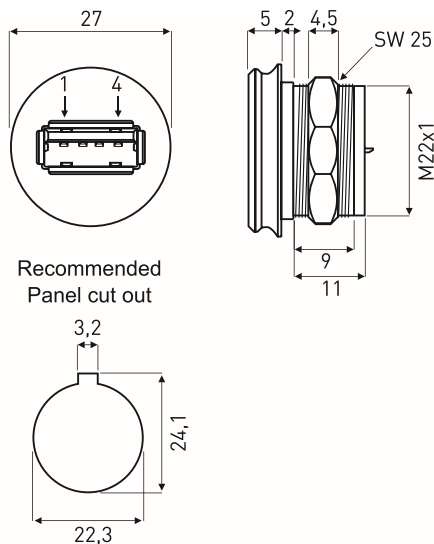
Cap: Elastolan®

Plastic nut: Plastic, Black (PA)

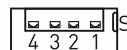
Contact Plating: Gold

Connection: Solder

Kit: Including CAP + nut



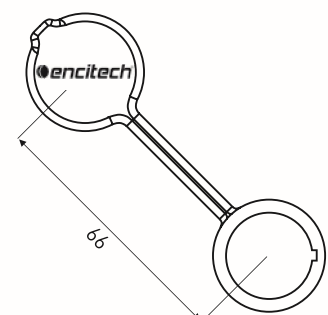
PCB Layout



Pin out USB A

- 1 - +5 V
- 2 - D-
- 3 - D+
- 4 - GND
- S - Shield

CAP



1.9mm thick strap  
(Serves also as flat sealing)

### M22 Panel mount USB 2.0 - Type A

**Connector:**

**Part No:**

Panel Conn, Black

1310-1016-01



**Encitech AB**  
Rörkullsvägen 4  
SE-302 41 HALMSTAD, Sweden

Tel: +46-(0)35-15 13 90  
e-mail: connectors@encitech.com

[www.encitech.com](http://www.encitech.com)