

## Waterproof USB Connectors

M16-Panel mount connector  
 Front mounting, Solder cup  
 USB 2.0 Type A

Protection: IP 54  
 (Assembled with CAP)

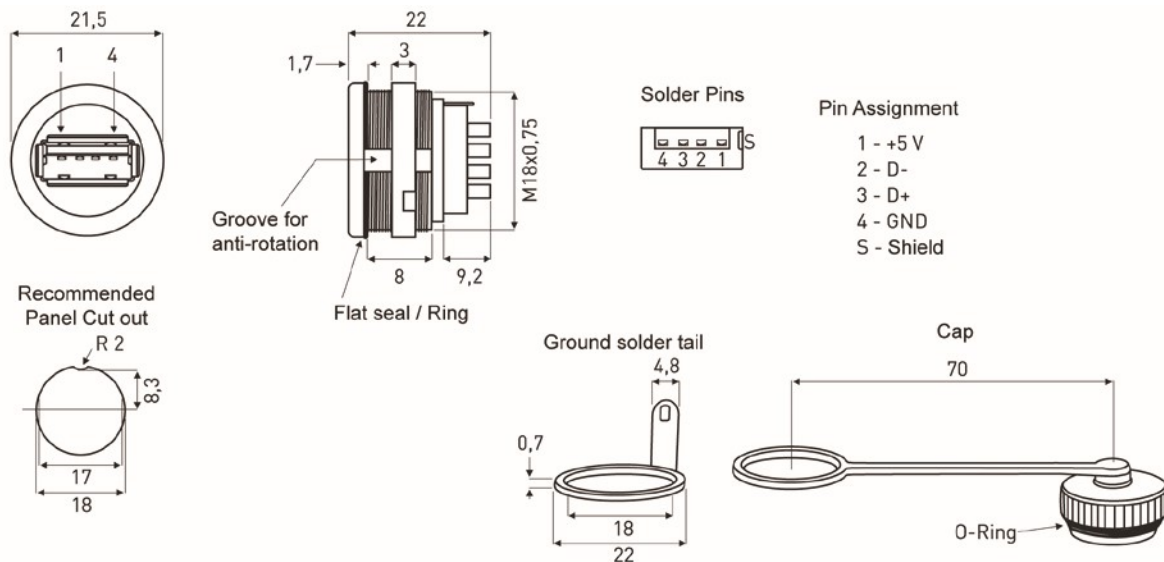
Contacts: 4 + 1 Shield connection

Terminal: Solder Cup

Housing material: Zinc

Contact plating: Gold-plated

Kit: Including CAP, ground solder tail + Circular nut



### M16 Panel mount USB 2.0 Type A, Full Metal housing

Connector:	Part No:
Panel Conn, Metal	1310-0003-01

Accessories:	Part No:
Mounting Tool for Ring nut	1310-0099-01



Encitech AB  
 Rörkullsvägen 4  
 SE-302 41 HALMSTAD, Sweden

Tel: +46-(0)35-15 13 90  
 e-mail: connectors@encitech.com

[www.encitech.com](http://www.encitech.com)