

Lighting Controls

DATE: _____ LOCATION: _____

TYPE: _____ PROJECT: _____

CATALOG #: _____

OMNI® LOW VOLTAGE ACOUSTIC AND PIR CEILING SENSOR CEILING MOUNT OCCUPANCY SENSORS

FEATURES

- IntelliDAPT® self-adaptive technology—no manual adjustment required
- All-digital dual technology acoustic and passive infrared (PIR) sensor
- Non-volatile memory for sensor settings
- Low Voltage device: 24VDC
- 450 square-foot coverage
- Relay and photocell control
- UL and cUL listed
- 5 year warranty



SPECIFICATIONS

CONSTRUCTION

- Ø4.5", 1.5" H (Ø114.3mm, 38.1mm H)
- 5.0 oz (142g)
- Off-white
- Casing—rugged, high-impact, injection-molded plastic KJB ABS
- Cicolac (UL-945VA) flame class rating, UV inhibitors
- Color-coded leads are 6" long (152.4mm)
- Dual-element pyrometer and 12-element cylindrical segmented Fresnel lens, integral filter excludes excess PIR energy from sunlight
- Red LED lamp - ultrasonic detection

MOUNTING

- Mounting base provided
- Recommended mounting height: 8ft (2.44m) with a max mounting height of 12ft (3.66m)
- Coverage: 450 square feet

ELECTRICAL

- 24VDC, 33mA (uses UVPP and MP- Series power pack- not included)

ELECTRICAL (CONTINUED)

- 24VDC active high-logic control signal with short circuit protection and dry contact (see RP options)

OPERATION

- IntelliDAPT Technology
 - Auto reset from test setting
 - Self-adjusting timer
 - Self-adjusting passive infrared thresholds
 - Automatic false-ON/false-OFF corrections
- Coverage
 - Coverage: 450 square feet
- Timer Settings
 - Automatic mode: 8-30 min.(self-adjusts based on occupancy)
 - Test mode: 8 seconds (for an easy check at installation)
- RP Option
 - Relay and photocell included
 - Relay: N/O + N/C contacts; SPDT; 500 mA rated @ 24VDC; three-wire isolated relay

OPERATION (CONTINUED)

- RP Option (Continued)
 - Photocell: adjustable natural-light override ranges from 0 to 100 foot-candles (0 to 1,000 lux)

OPERATING ENVIRONMENT

- Indoor use only
- Operating temperature: 32° to 104°F (0° to 40°C)
- Relative humidity (non-condensing): 0% to 95%

CERTIFICATIONS

- UL and cUL listed
- California Title 24 compliant

WARRANTY

- 5 year warranty

ORDERING GUIDE

Example: OMNIDIARP

CATALOG #

Model	Technology	Relay/Photocell Option
OMNI Ceiling sensor	DIA Dual Technology Acoustic and Passive Infrared	RP Relay and Photocell

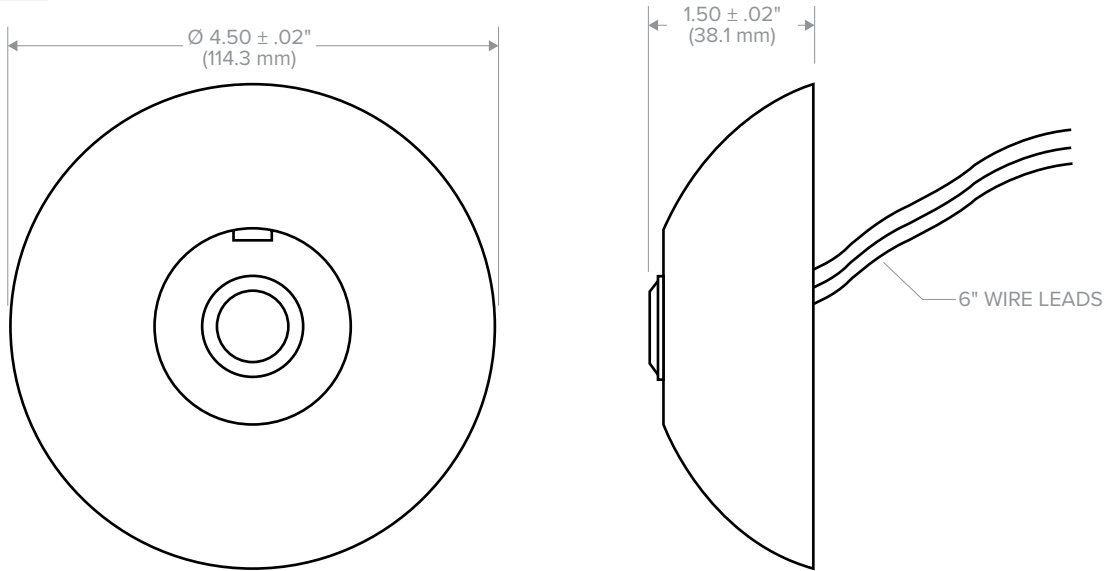
*When used with program start ballast, a 1-2 second delay from occupancy detection to lamp turn-on may be experienced

Lighting Controls

OMNI® LOW VOLTAGE ACOUSTIC AND PIR CEILING SENSOR

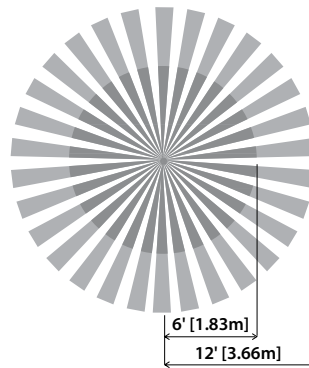
CEILING MOUNT OCCUPANCY SENSORS

DIMENSIONS



ADDITIONAL INFORMATION

Coverage Pattern



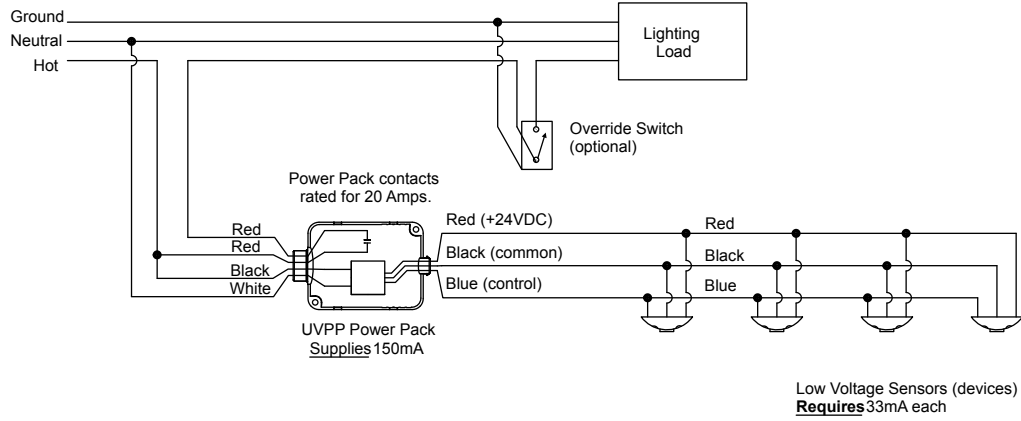
- Minor Motion
- Major Motion

Lighting Controls

OMNI® LOW VOLTAGE ACOUSTIC AND PIR CEILING SENSOR CEILING MOUNT OCCUPANCY SENSORS

ADDITIONAL INFORMATION (CONTINUED)

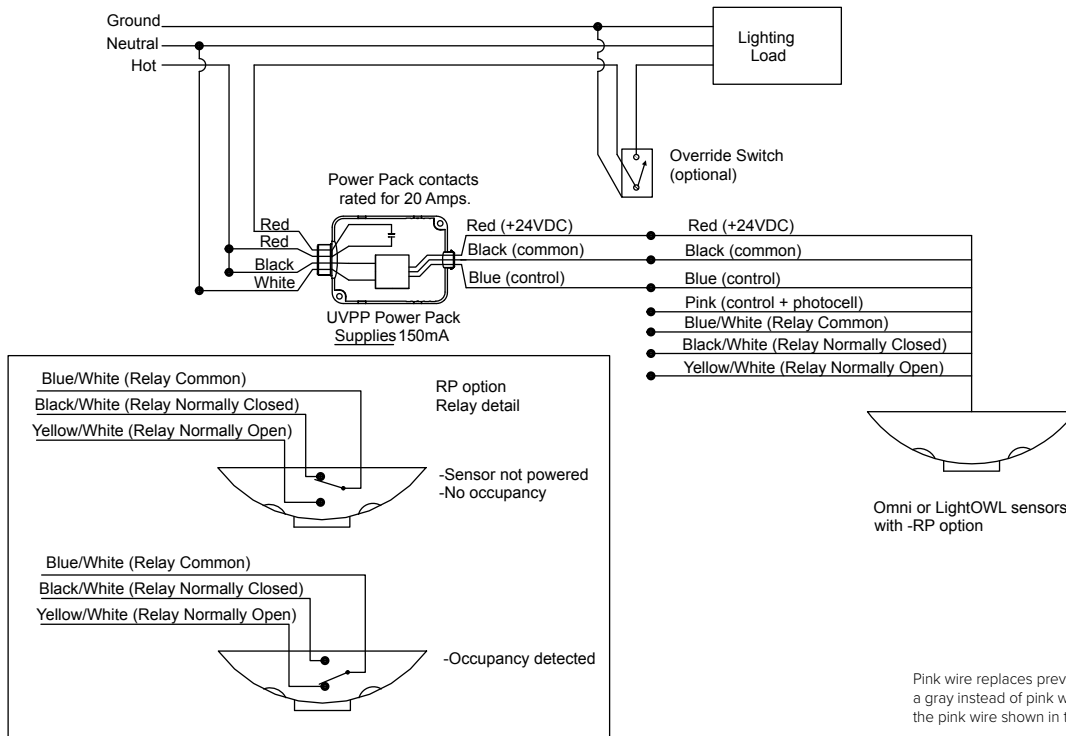
Wiring Diagrams



NOTE:

1. DO NOT attempt to power more than 4 devices, be it sensors or slave packs, from a single power pack.

1 Circuit with up to 4 Sensors and UVPP



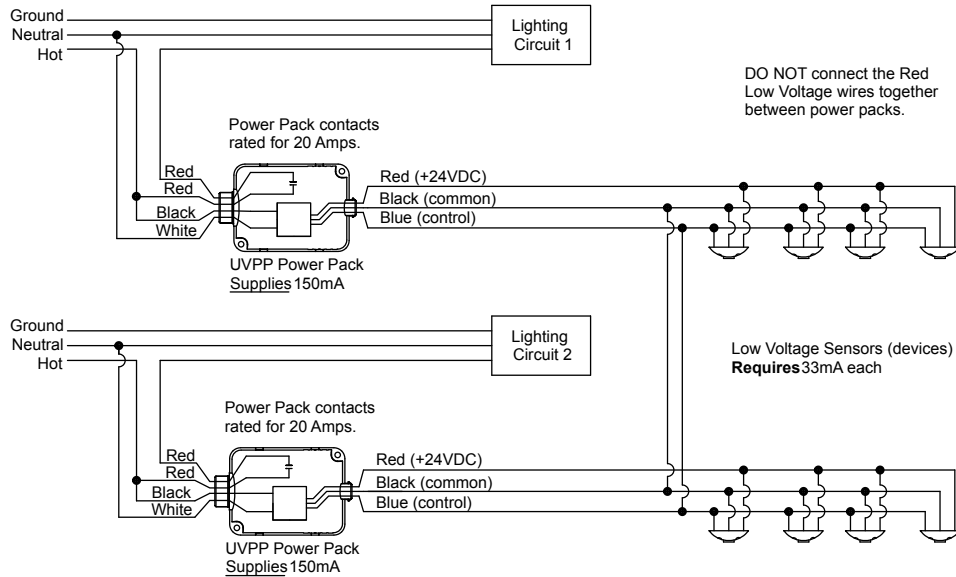
1 Circuit with RP Option Wiring

Lighting Controls

OMNI® LOW VOLTAGE ACOUSTIC AND PIR CEILING SENSOR CEILING MOUNT OCCUPANCY SENSORS

ADDITIONAL INFORMATION (CONTINUED)

Wiring Diagrams



NOTES:

1. Lighting load turns on when at least one sensor detects motion.
2. DO NOT attempt to power more than 4 devices, be it sensors or slave packs, from a single power pack.
3. No more than 4 power packs should be connected in this way.

2 Circuits with 5 to 8 Sensors