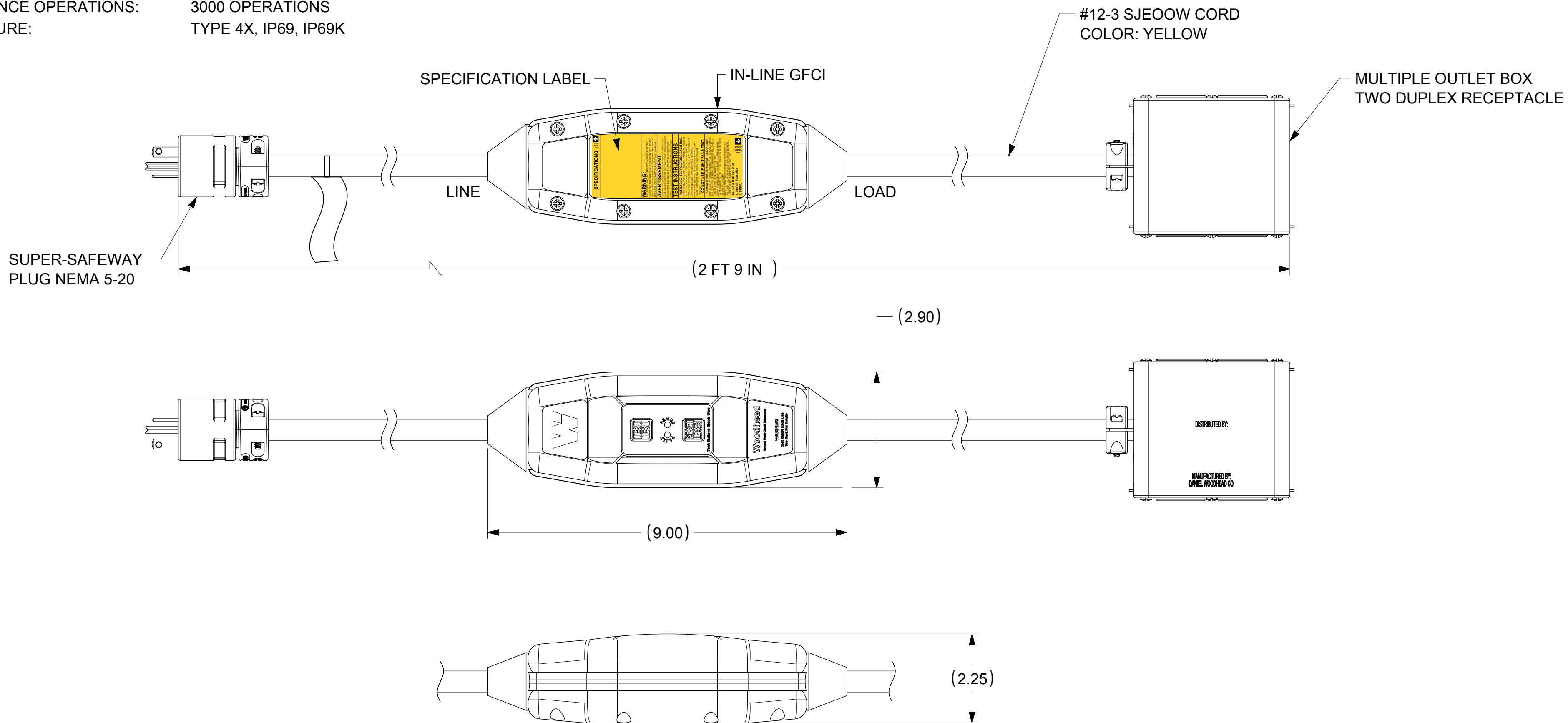


TECHNICAL

AGENCY APPROVAL: UL
 RATED SUPPLY VOLTAGE: 120 VAC
 RATED CURRENT: UP TO 20 AMPS
 RESET TYPE: MANUAL
 OPERATING FREQUENCY: 60 Hz
 TYPE: CLASS A
 GROUND TRIP CURRENT: 5mA +/- 1mA
 OVERLOAD CURRENT: 120 AMPS, 50% INDUCTIVE
 INSULATION VOLTAGE: 1,500 VRMS - 1 MINUTE
 ENDURANCE OPERATIONS: 3000 OPERATIONS
 ENCLOSURE: TYPE 4X, IP69, IP69K



MATERIAL NO.	ENGINEERING NO.	POWER-UP
1301530138	20053-2A	AUTO
1301530139	20053-2M	MANUAL

FUNCTIONAL SYMBOLS $\nabla_A = 0$ $\nabla_C = 0$ $\nabla_P = 0$ DIVISIONAL SYMBOLS	THIS DRAWING CONTAINS INFORMATION THAT IS PROPRIETARY TO MOLEX ELECTRONIC TECHNOLOGIES, LLC AND SHOULD NOT BE USED WITHOUT WRITTEN PERMISSION	SCALE: INCH NTS GENERAL TOLERANCES (UNLESS SPECIFIED): ANGULAR TOL: ± ° 4 PLACES ± 3 PLACES ± 2 PLACES ± 1 PLACE ± 0 PLACES ±	CURRENT REV DESC: NEW SALES DRAWING CREATED EC NO: 723836 DRWN: VBASUTHKARP 2022/08/26 CHK'D: DNGUYEN62 2023/01/13 APPR: WLEUNG 2023/01/13	molex IN-LINE GFCI 20A, 120V W/ MULTIPLE OUTLET BOX & SUPER-SAFEWAY PLUG NEMA 5-20			
	DRAFT WHERE APPLICABLE MUST REMAIN WITHIN DIMENSIONS			INITIAL REVISION: DRWN: MC 2005/12/06 APPR: DTITUS 2010/10/18	PRODUCT CUSTOMER DRAWING		
	THIRD ANGLE PROJECTION			DRAWING: C-SIZE SERIES: 130153	DOCUMENT NUMBER: 1301530138 DOC TYPE: PSD DOC PART: 000 REVISION: A		
	MATERIAL NUMBER: SEE TABLE CUSTOMER: GENERAL MARKET SHEET NUMBER: 1 OF 1						