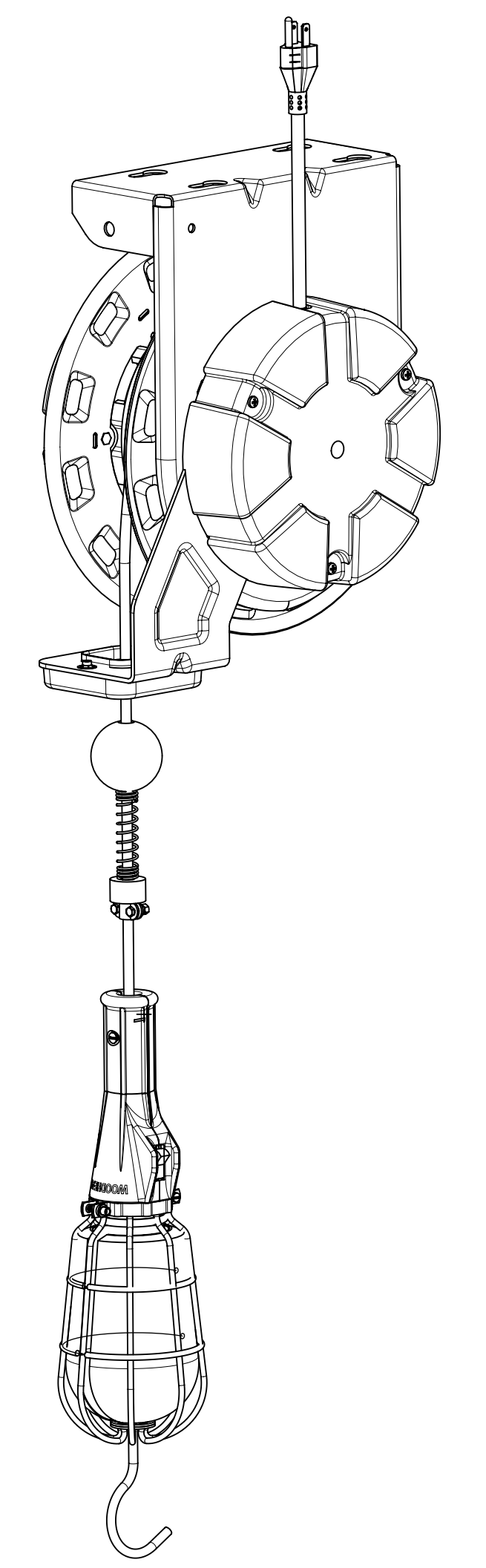
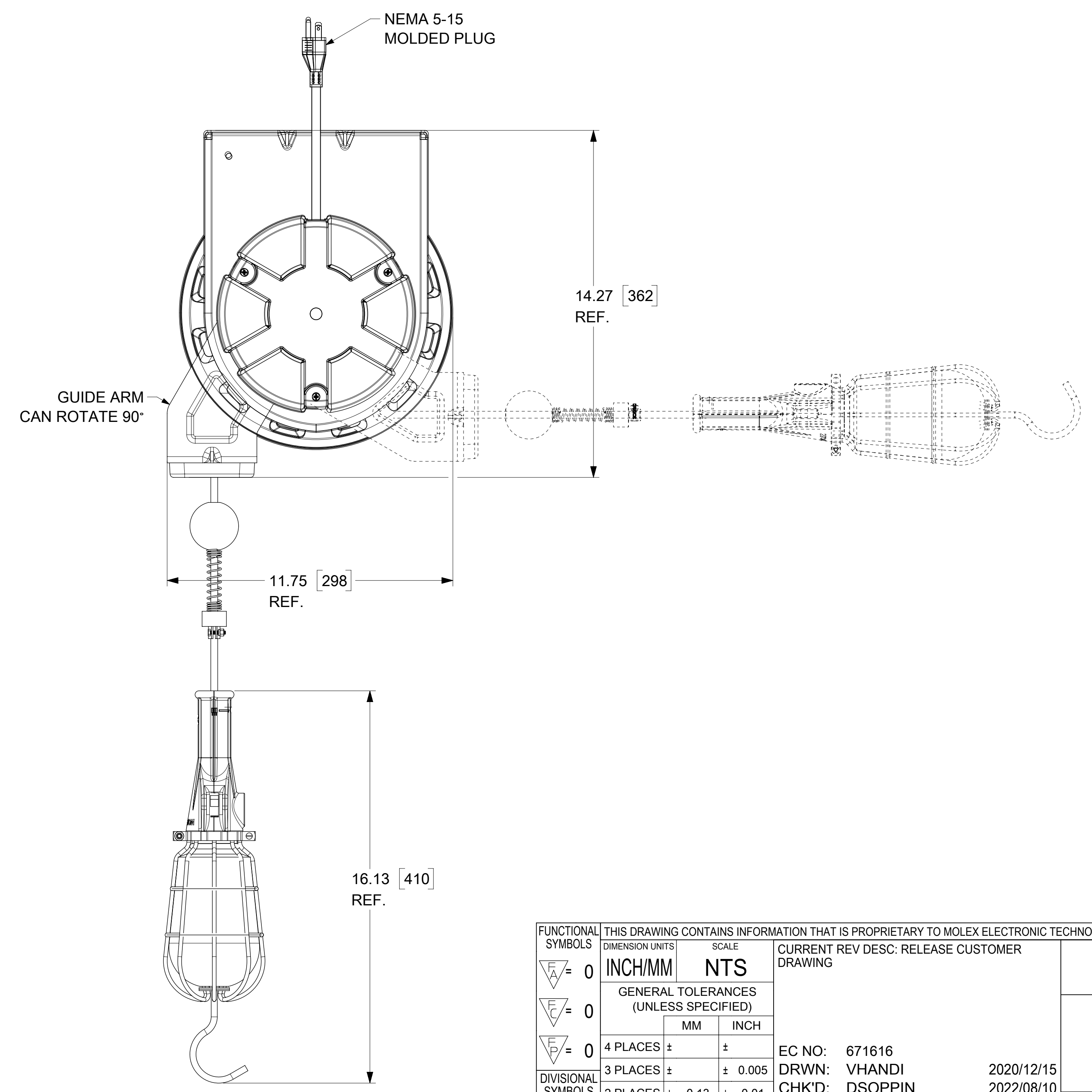
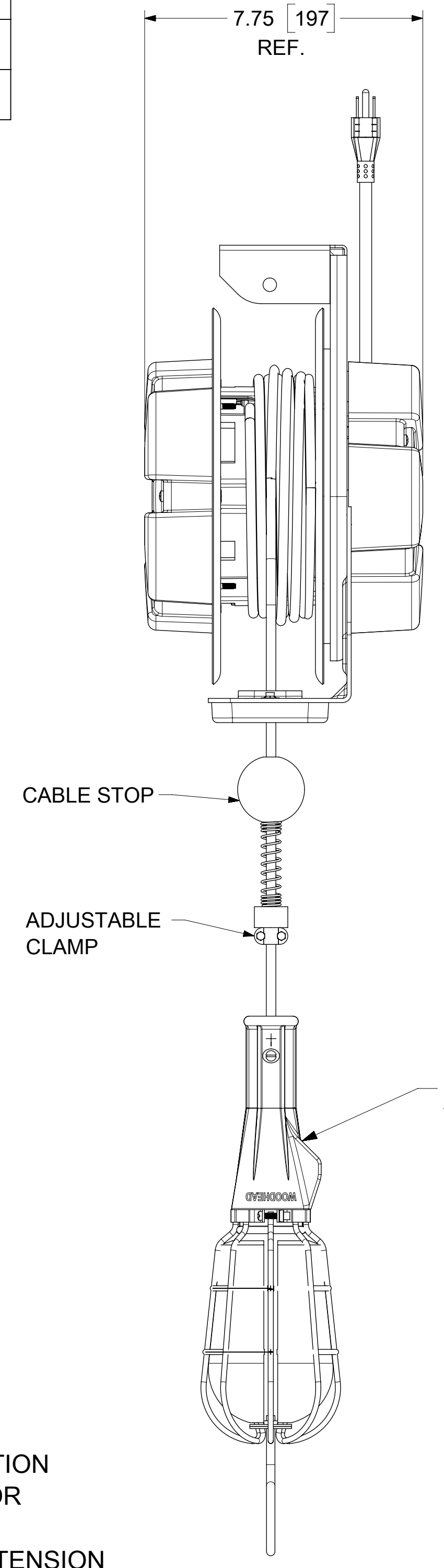
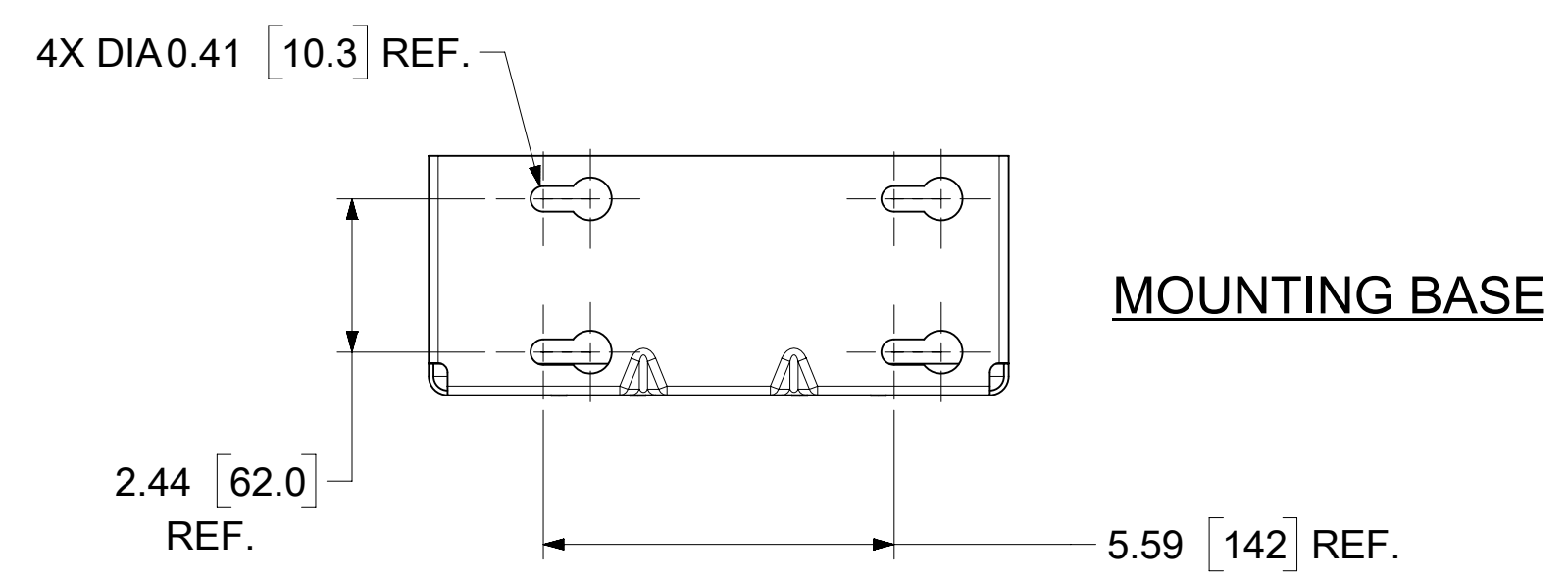


ORDER NO	130091-0056
WOODHEAD ENG. NO	990-271US
WIRE GAUGE	14
CONDUCTORS	3
AMPERAGE	11A
WORKING CORD	45 FT. YELLOW
CORD TYPE	SJTOW
CONSTRUCTION	STEEL
PAINT	YELLOW POWDER COAT
REEL ENCLOSURE RATING	INDOOR
RETRACTION WEIGHT	2.5 LB [1.133 KG]



- NOTES:**
1. CABLE GUIDE IS ADJUSTABLE - DUAL POSITION
  2. RATCHET LOCK IS EASY TO DISENGAGE FOR CONSTANT TENSION
  3. REEL CANNOT BE "LOCKED OUT" AT FULL TENSION
  4. CABLE STOP INCULDED

FUNCTIONAL SYMBOLS $\nabla_A = 0$ $\nabla_B = 0$ $\nabla_C = 0$ DIVISIONAL SYMBOLS	THIS DRAWING CONTAINS INFORMATION THAT IS PROPRIETARY TO MOLEX ELECTRONIC TECHNOLOGIES, LLC AND SHOULD NOT BE USED WITHOUT WRITTEN PERMISSION		CURRENT REV DESC: RELEASE CUSTOMER DRAWING		
	DIMENSION UNITS	SCALE	GENERAL TOLERANCES (UNLESS SPECIFIED)		
	INCH/MM	NTS	MM	INCH	
	4 PLACES ±	±	3 PLACES ±	± 0.005	
		2 PLACES ±	0.13 ±	0.01 ±	EC NO: 671616
		1 PLACE ±	0.25 ±	0.02 ±	DRWN: VHANDI 2020/12/15
		0 PLACES ±	±	±	CHK'D: DSOPPIN 2022/08/10
		ANGULAR TOL	± 0.5°		APPR: HKNEELAND 2022/08/10
DRAFT WHERE APPLICABLE MUST REMAIN WITHIN DIMENSIONS		THIRD ANGLE PROJECTION	DRAWING	SERIES	INITIAL REVISION:
			D-SIZE	130091	DRWN: VHANDI 2020/12/15
					APPR: HKNEELAND 2022/08/10
DOCUMENT STATUS	P1	RELEASE DATE	2022/08/10	17:26:36	DOCUMENT NUMBER
					1300910056
					DOC TYPE
					PSD
					DOC PART
					000
					REVISION
					A
					MATERIAL NUMBER
					SEE TABLE
					CUSTOMER
					GENERAL MARKET
					SHEET NUMBER
					1 OF 1