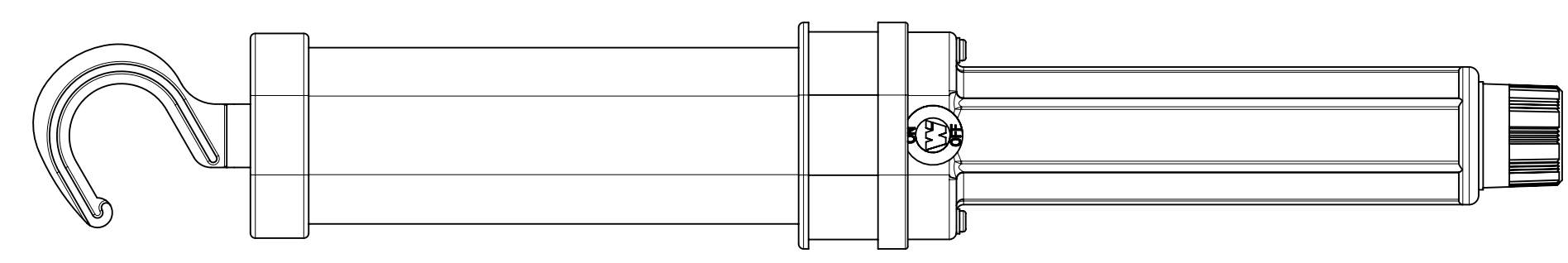
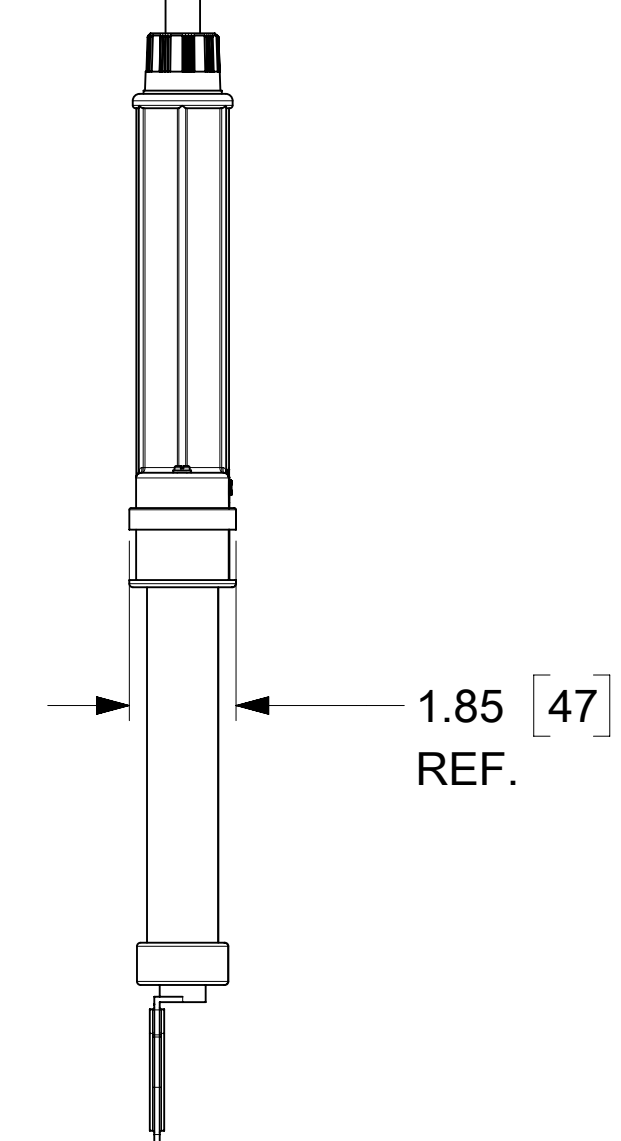
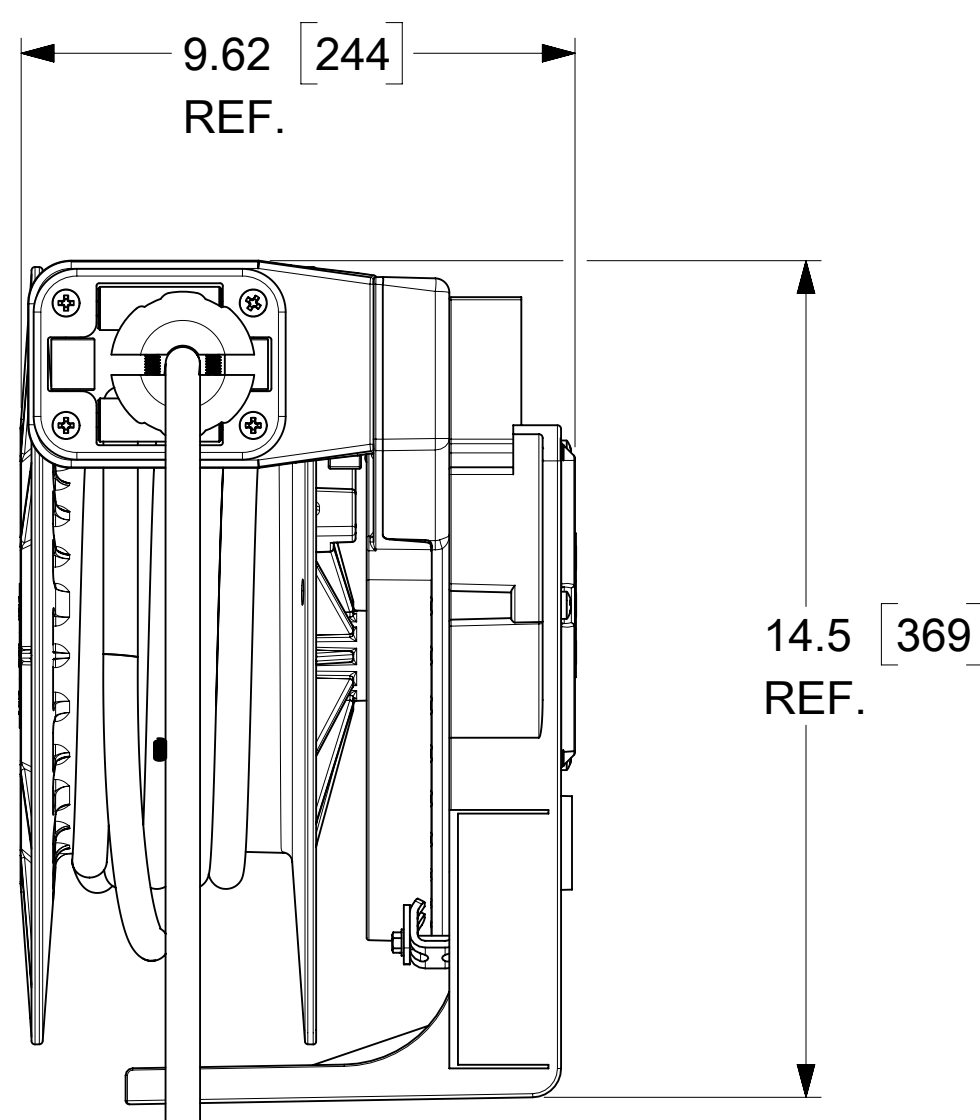
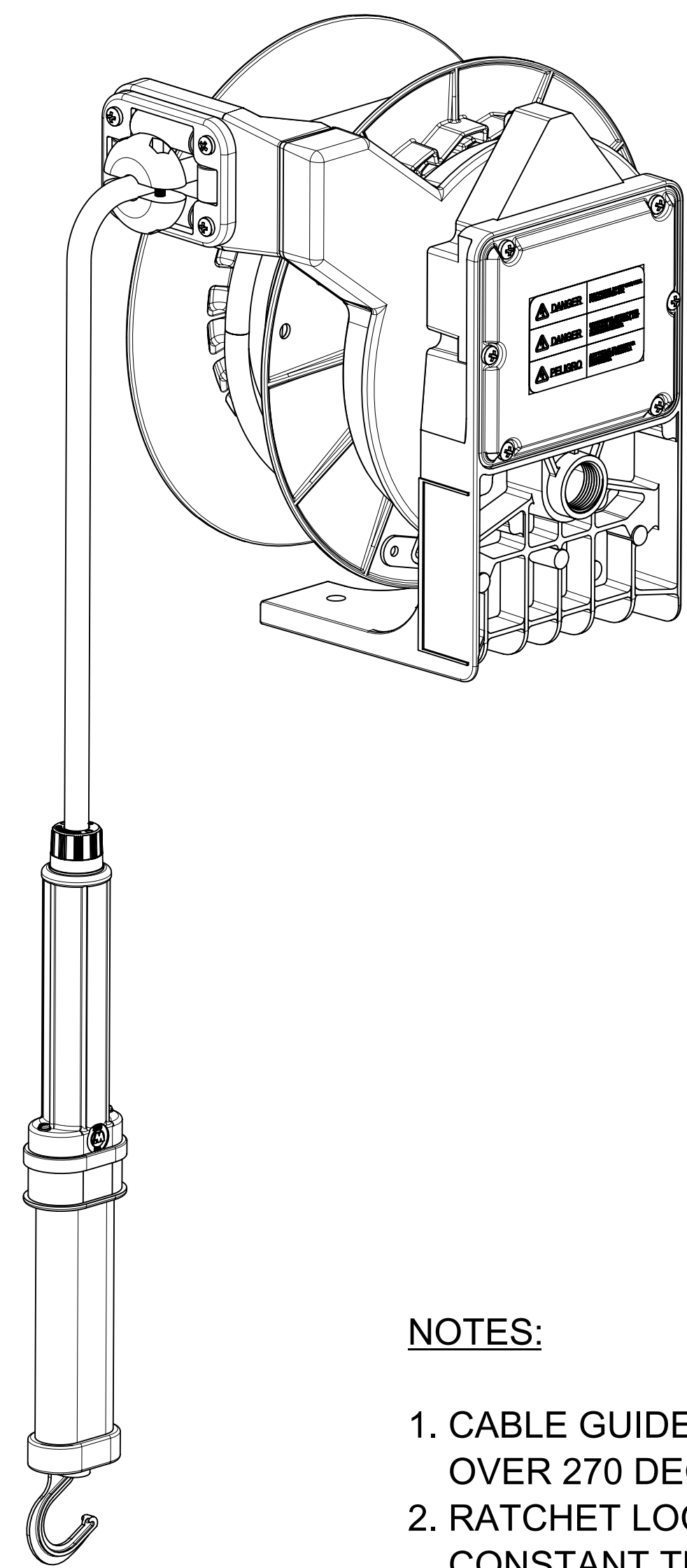
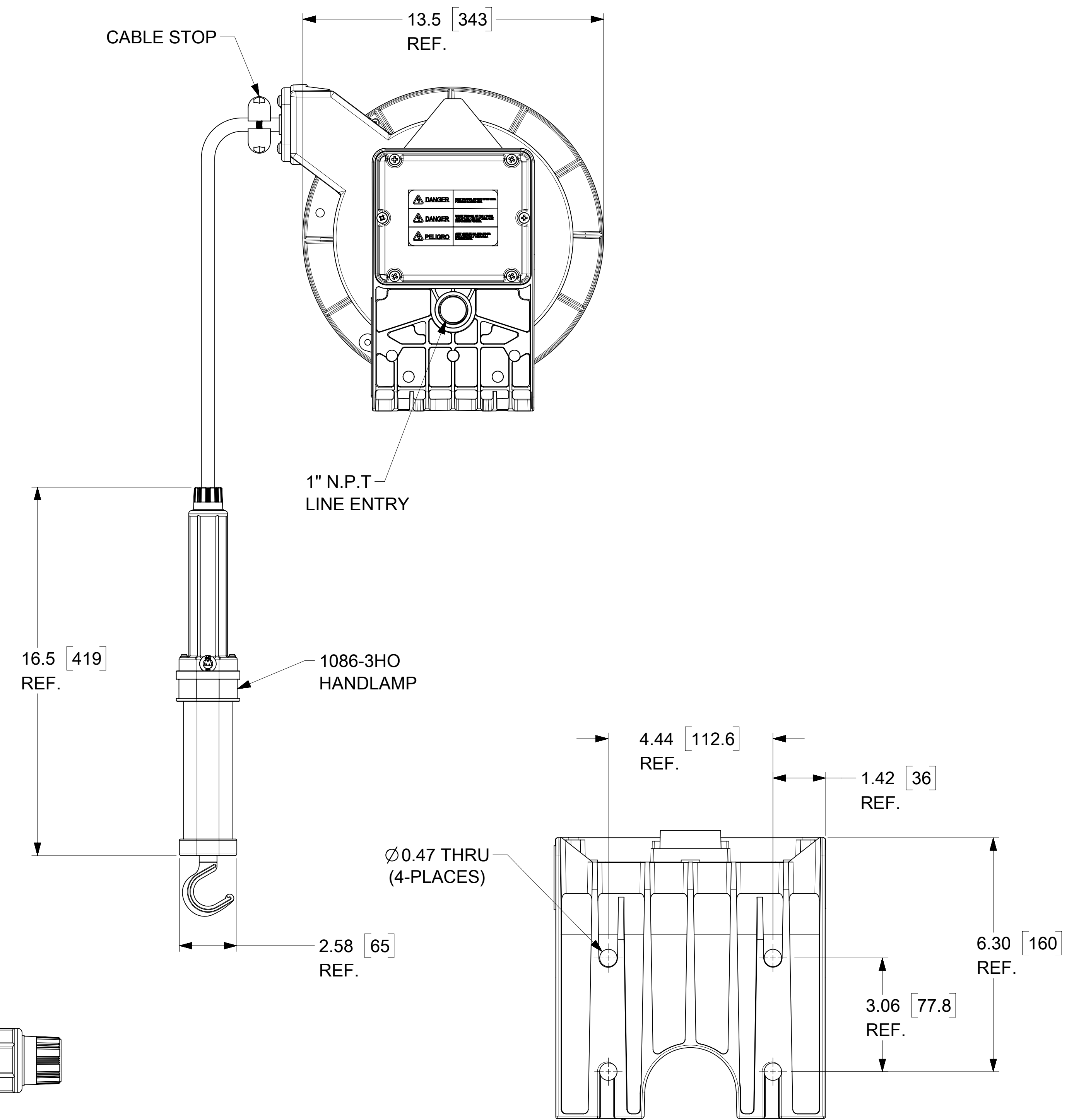


ORDER NO	130083-0775
WOODHEAD ENG. NO	9228-86
WIRE GAUGE	16
CONDUCTORS	3
AMPERAGE	9A
WORKING CORD	50 FT. YELLOW
CORD TYPE	SOOW
CONSTRUCTION	HEAVY WALL CAST ALUMINUM
PAINT	YELLOW POWDER COAT
REEL ENCLOSURE RATING	NEMA 4 INDOOR / OUTDOOR
RETRACTION WEIGHT	4.0 LB [1.8 KG]



1086-3HO (HEAD ONLY)
HANDLAMP



BOTTOM VIEW

NOTES:

1. CABLE GUIDE IS ADJUSTABLE EVERY 5 DEGREES OVER 270 DEGREE ARC.
2. RATCHET LOCK IS EASY TO DISENGAGE FOR CONSTANT TENSION.
3. REEL CANNOT BE "LOCKED OUT" AT FULL EXTENSION.
4. CABLE STOP IS INCLUDED

FUNCTIONAL SYMBOLS	THIS DRAWING CONTAINS INFORMATION THAT IS PROPRIETARY TO MOLEX ELECTRONIC TECHNOLOGIES, LLC AND SHOULD NOT BE USED WITHOUT WRITTEN PERMISSION						
	DIMENSION UNITS	SCALE				CURRENT REV DESC: RELEASE CUSTOMER DRAWING	
$\nabla_F = 0$	INCH/MM	NTS	CABLE REEL - INDUSTRIAL DUTY 50' #16-3 SOOW W/ 13W FLUORESCENT HANDLAMP				
$\nabla_F = 0$	GENERAL TOLERANCES (UNLESS SPECIFIED)						
$\nabla_F = 0$			PRODUCT CUSTOMER DRAWING				
	MM	INCH					
DIVISIONAL SYMBOLS	4 PLACES ±	±	EC NO: 675217	DOCUMENT NUMBER	DOC TYPE	DOC PART	REVISION
	3 PLACES ±	± 0.005	DRWN: VHANDI	2020/09/11	PSD	000	A
	2 PLACES ±	± 0.13 ± 0.01	CHK'D: DSOPPIN	2022/08/01			
	1 PLACE ±	± 0.25 ± 0.02	APPR: HKNEELAND	2022/08/10	1300830775		
	0 PLACES ±	±	INITIAL REVISION:				
	ANGULAR TOL	± 0.5°	DRWN: DRWN BY	XXXX/XX/XX	GENERAL MARKET		
			APPR: APPR BY	XXXX/XX/XX			
DRAFT WHERE APPLICABLE MUST REMAIN WITHIN DIMENSIONS		THIRD ANGLE PROJECTION	DRAWING	SERIES	MATERIAL NUMBER	CUSTOMER	SHEET NUMBER
			D-SIZE	130083	SEE TABLE	GENERAL MARKET	1 OF 1