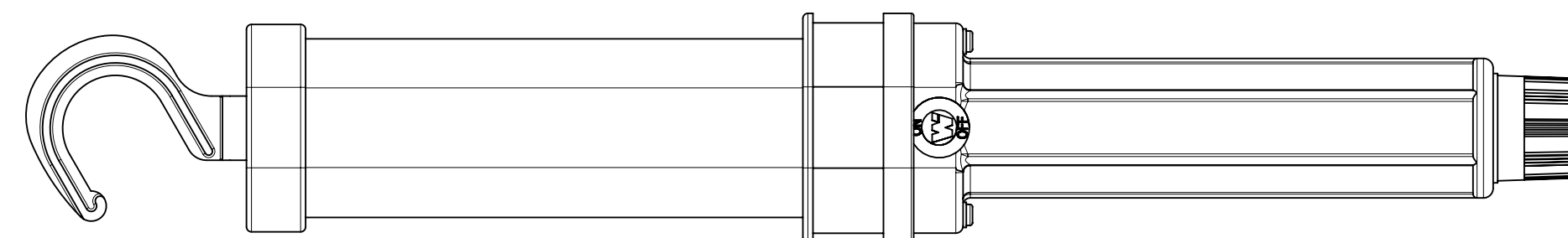
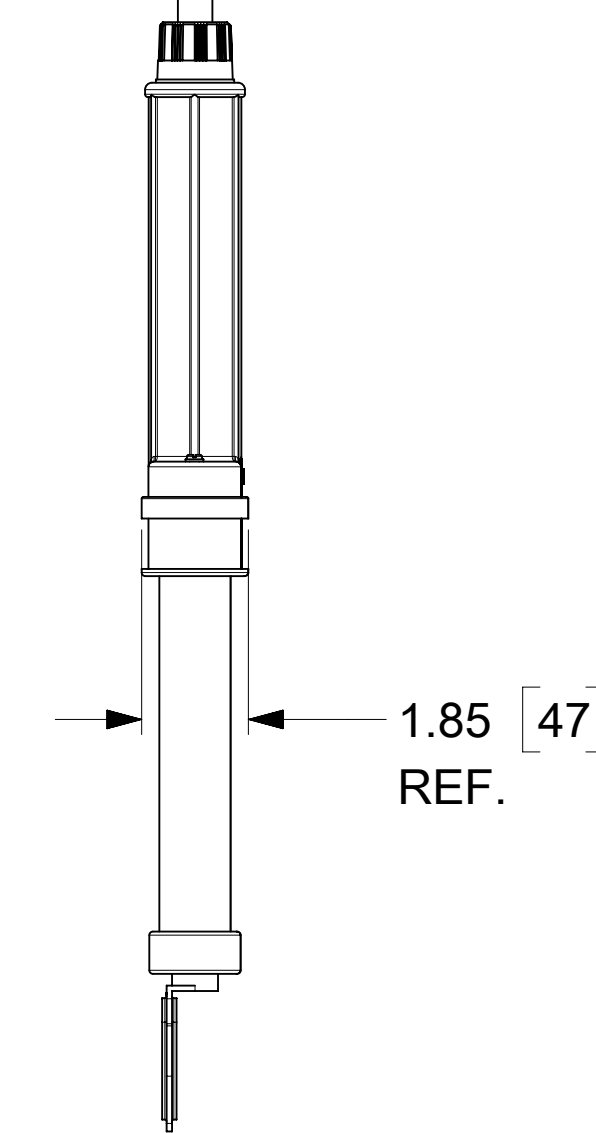
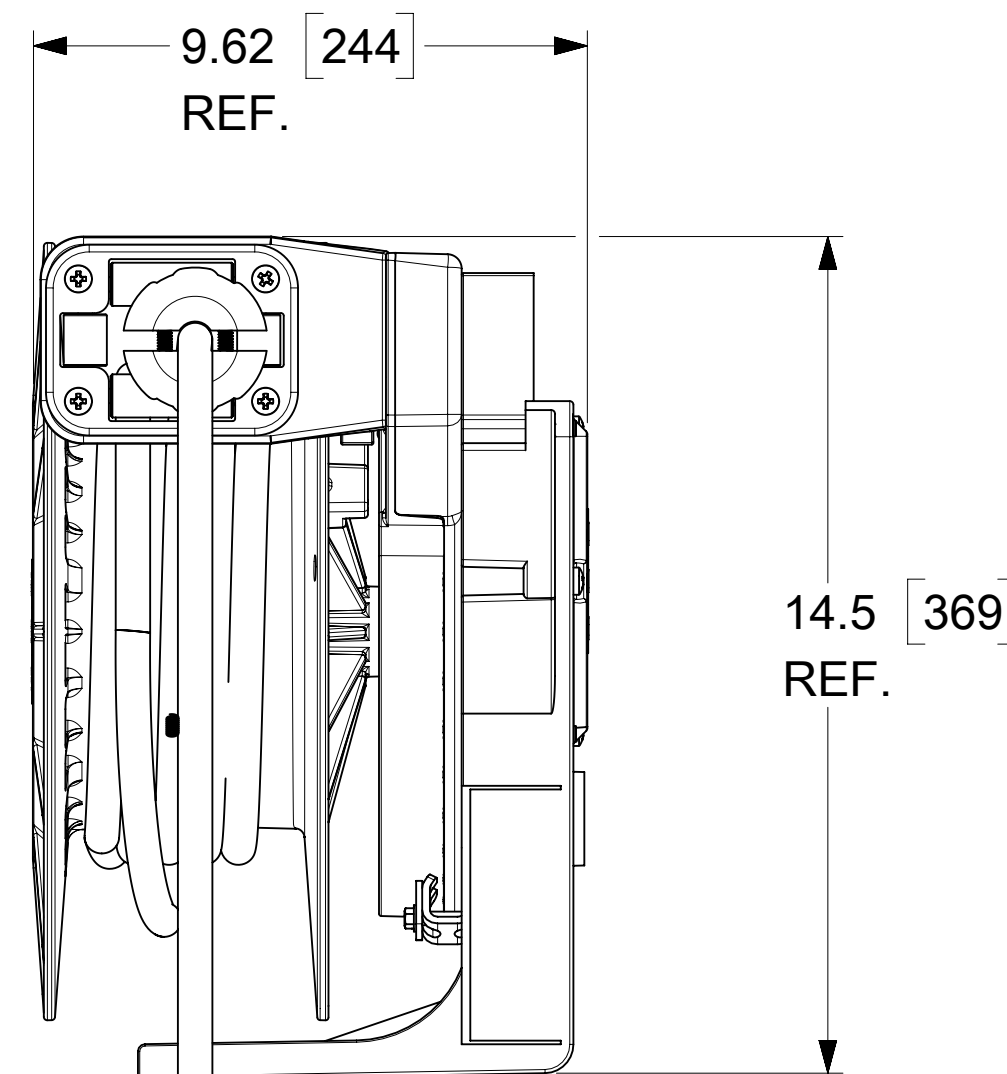
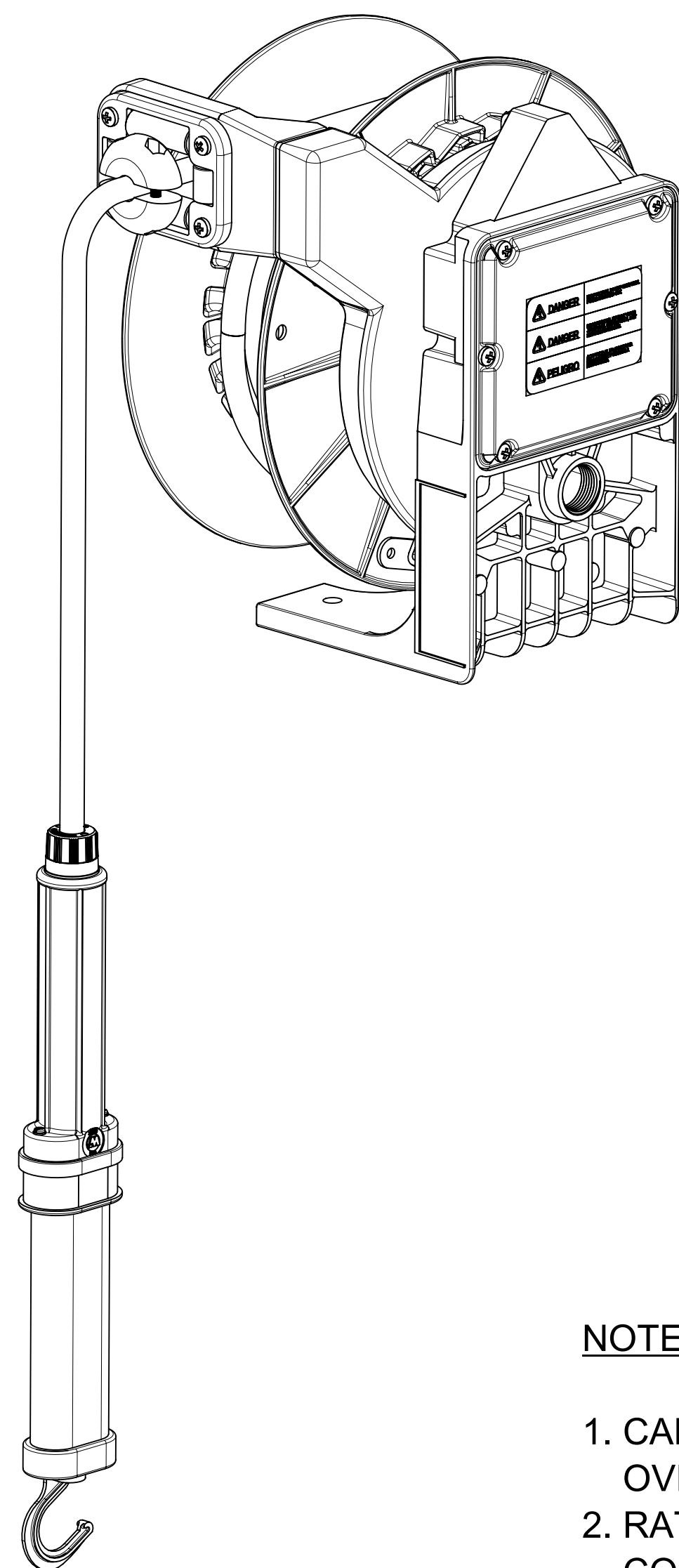
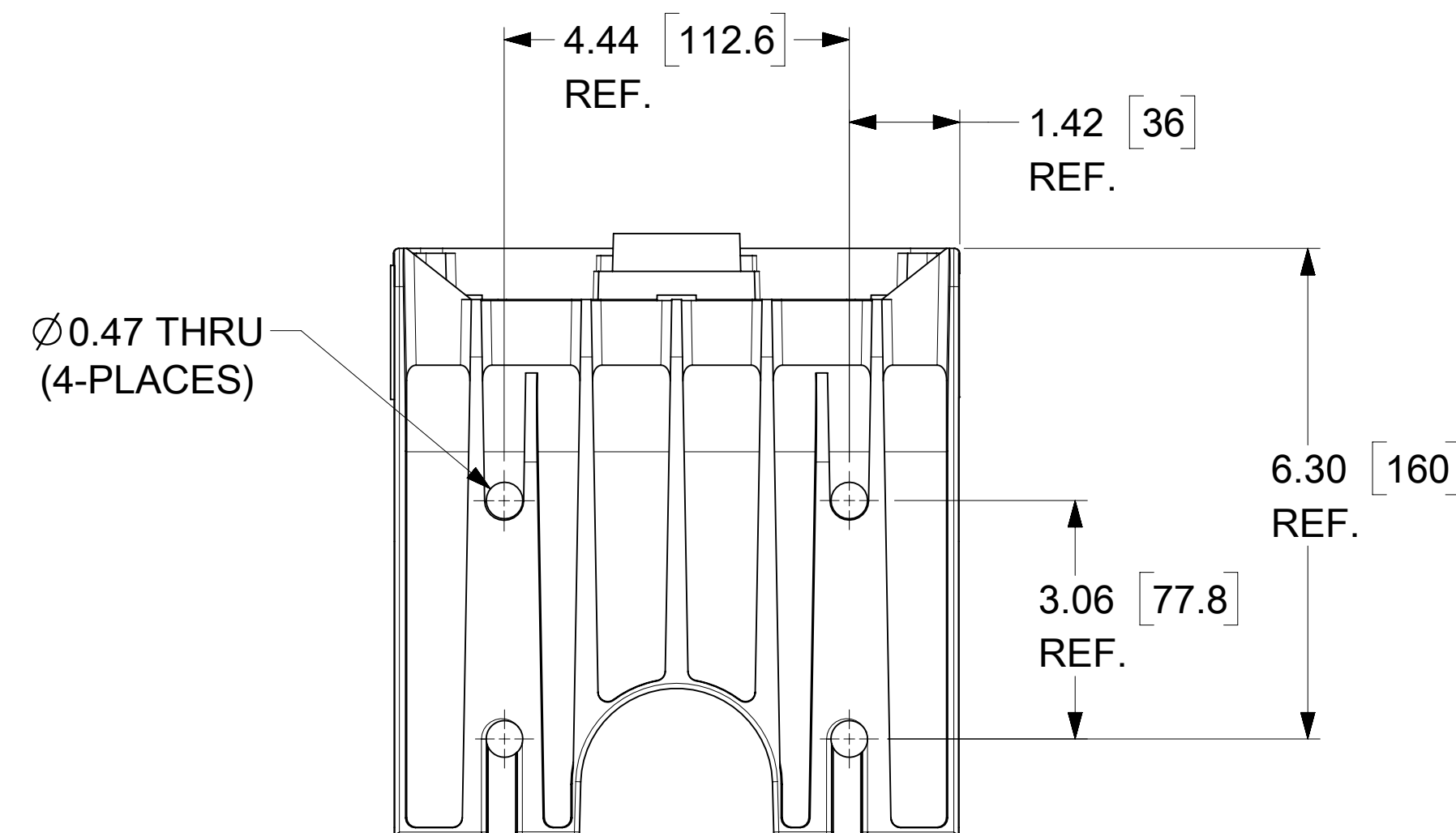
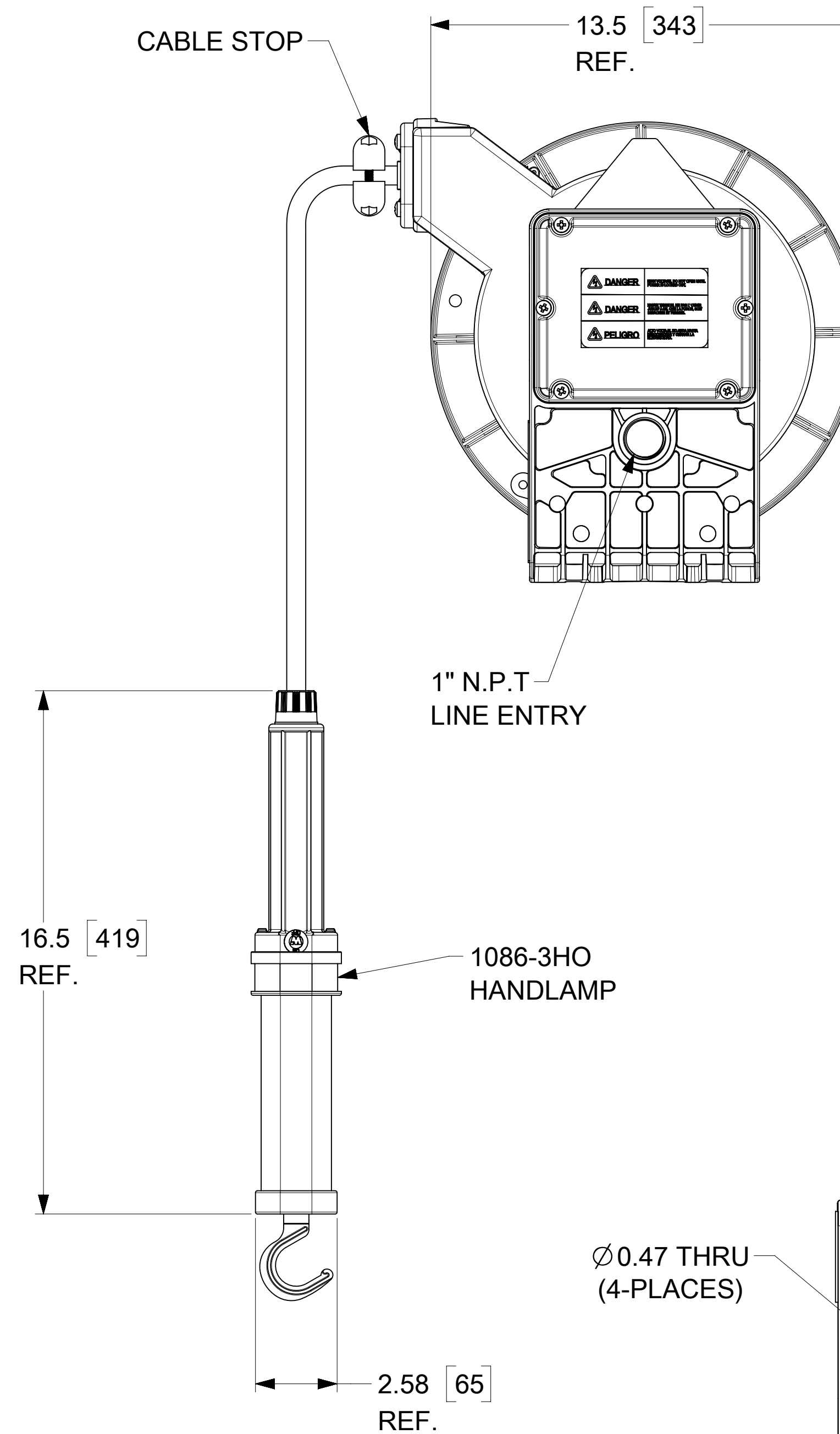


ORDER NO	130083-0767
WOODHEAD ENG. NO	9224-86
WIRE GAUGE	16
CONDUCTORS	3
AMPERAGE	9A
WORKING CORD	30 FT. YELLOW
CORD TYPE	SOOW
CONSTRUCTION	HEAVY WALL CAST ALUMINUM
PAINT	YELLOW POWDER COAT
REEL ENCLOSURE RATING	NEMA 4 INDOOR / OUTDOOR
RETRACTION WEIGHT	4.0 LB [1.8 KG]



1086-3HO (HEAD ONLY)
HANDLAMP



BOTTOM VIEW

NOTES:

1. CABLE GUIDE IS ADJUSTABLE EVERY 5 DEGREES OVER 270 DEGREE ARC.
2. RATCHET LOCK IS EASY TO DISENGAGE FOR CONSTANT TENSION.
3. REEL CANNOT BE "LOCKED OUT" AT FULL EXTENSION.
4. CABLE STOP IS INCLUDED

FUNCTIONAL SYMBOLS	THIS DRAWING CONTAINS INFORMATION THAT IS PROPRIETARY TO MOLEX ELECTRONIC TECHNOLOGIES, LLC AND SHOULD NOT BE USED WITHOUT WRITTEN PERMISSION		
	DIMENSION UNITS	SCALE	CURRENT REV DESC: RELEASE CUSTOMER DRAWING
$\nabla = 0$	INCH/MM	NTS	
$\nabla = 0$	GENERAL TOLERANCES (UNLESS SPECIFIED)		
$\nabla = 0$		MM	INCH
DIVISIONAL SYMBOLS	4 PLACES	±	±
	3 PLACES	±	± 0.005
	2 PLACES	± 0.13	± 0.01
	1 PLACE	± 0.25	± 0.02
	0 PLACES	±	±
	ANGULAR TOL	± 0.5°	
DRAFT WHERE APPLICABLE MUST REMAIN WITHIN DIMENSIONS		THIRD ANGLE PROJECTION	DRAWING D-SIZE
		SERIES 130083	MATERIAL NUMBER SEE TABLE
		CUSTOMER GENERAL MARKET	
		SHEET NUMBER 1 OF 1	

molex

CABLE REEL - INDUSTRIAL DUTY 30' #16-3 SOOW W/ 13W FLUORESCENT HANDLAMP

1300830767