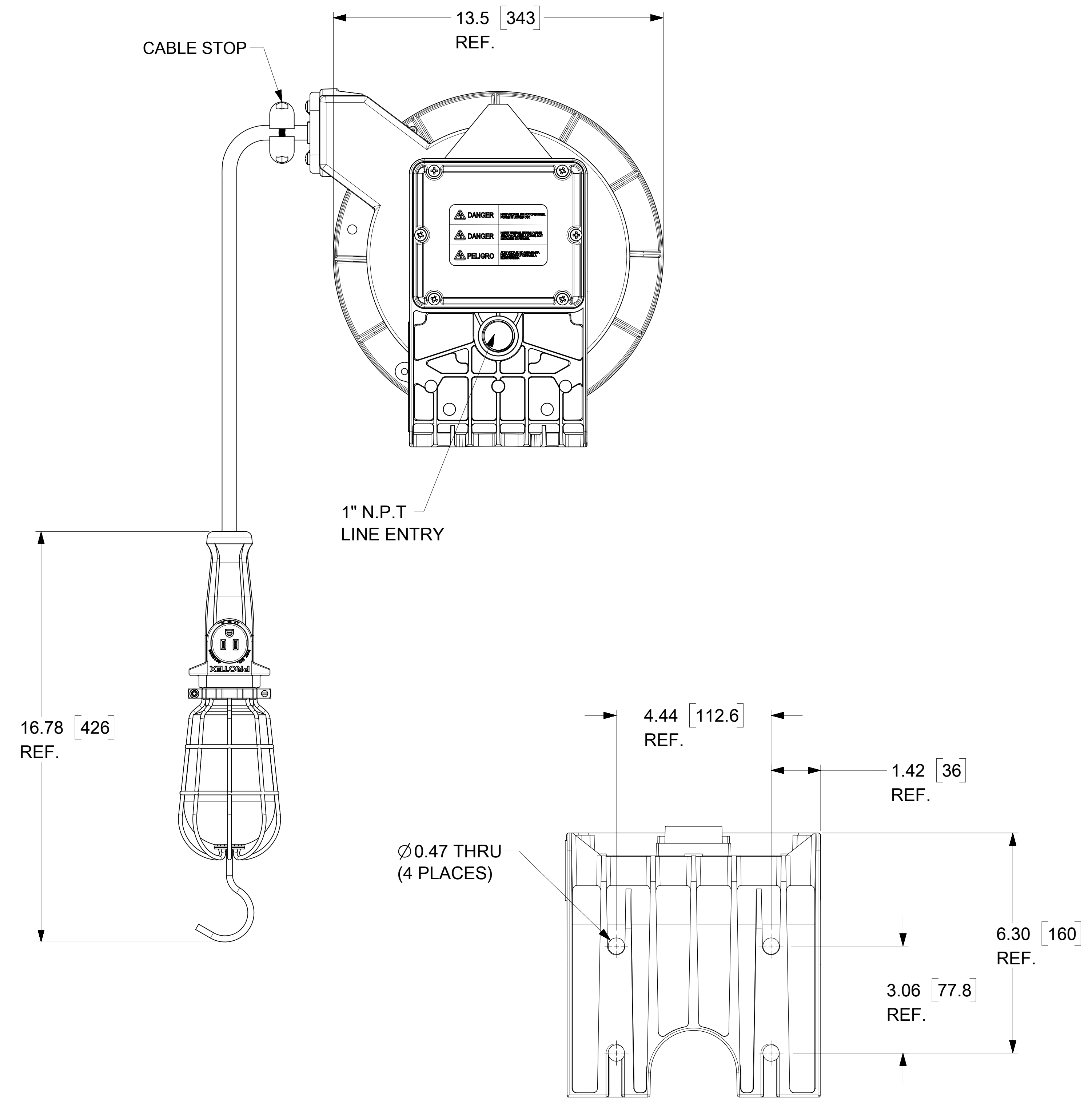
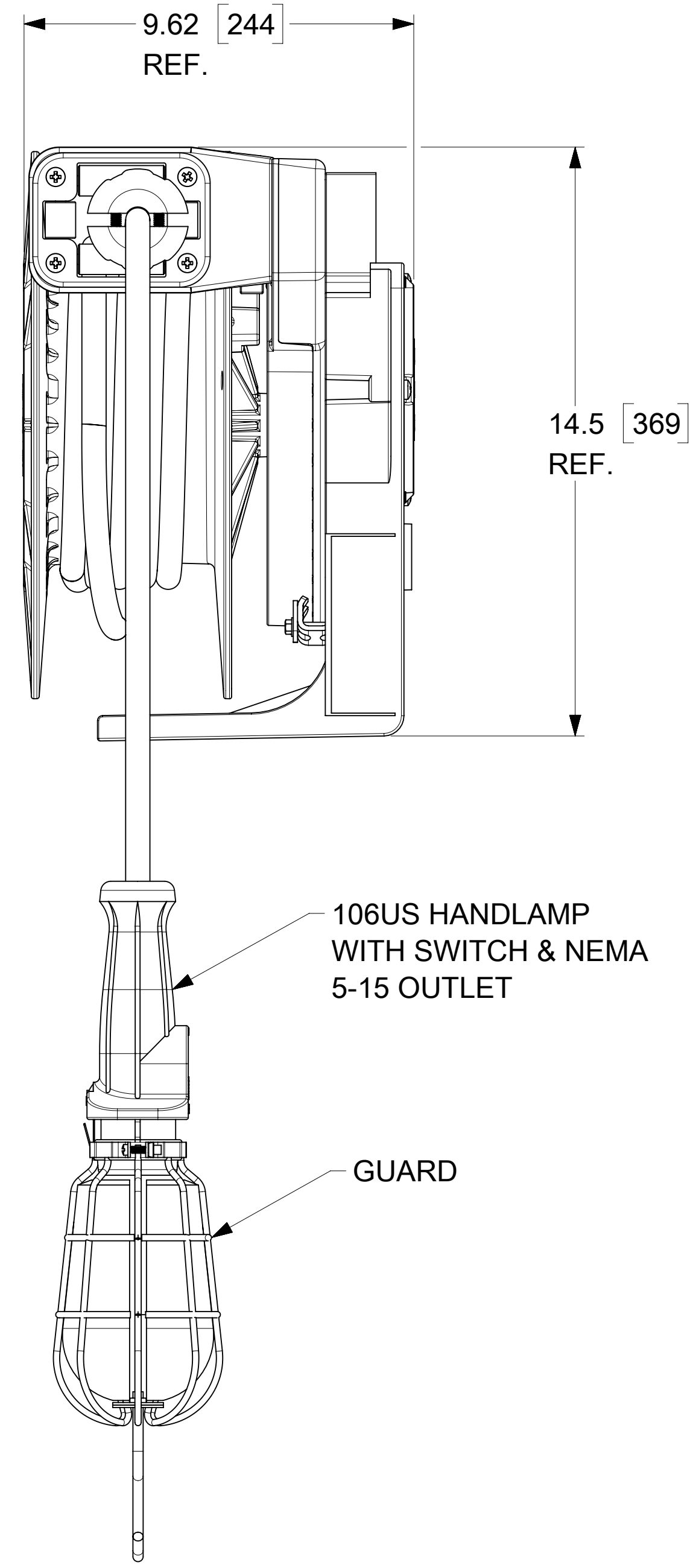
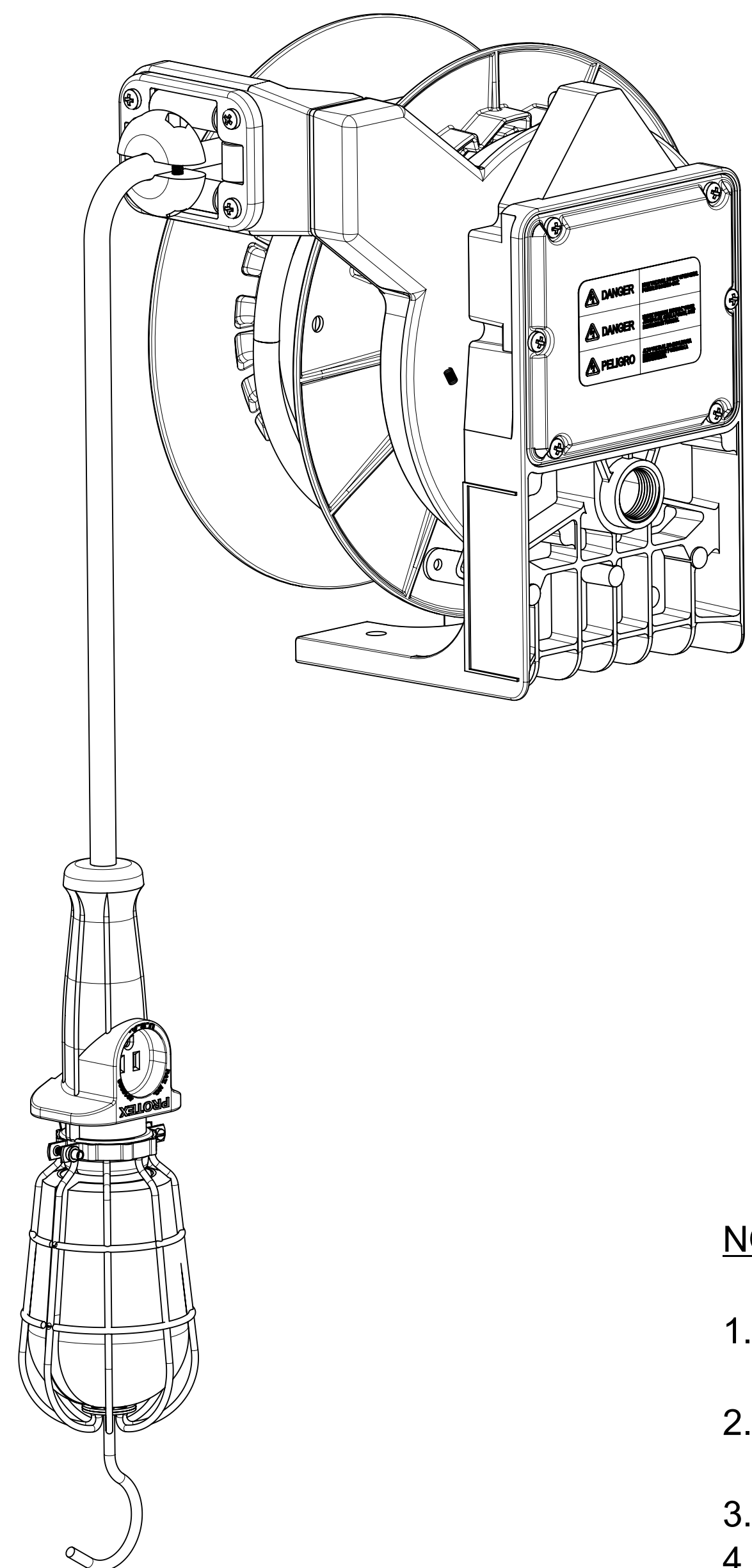


ORDER NO	130083-0250
WOODHEAD ENG. NO	9358-106US
WIRE GAUGE	14
CONDUCTORS	3
AMPERAGE	13A
WORKING CORD	50 FT. YELLOW
CORD TYPE	SOOW
CONSTRUCTION	HEAVY WALL CAST ALUMINUM
PAINT	YELLOW POWDER COAT
REEL ENCLOSURE RATING	NEMA 4 INDOOR / OUTDOOR
RETRACTION WEIGHT	4.0 LB [1.8 KG]



BOTTOM VIEW

- NOTES:**
1. CABLE GUIDE IS ADJUSTABLE EVERY 5 DEGREES OVER 270 DEGREE ARC.
 2. RATCHET LOCK IS EASY TO DISENGAGE FOR CONSTANT TENSION.
 3. REEL CANNOT BE "LOCKED OUT" AT FULL EXTENSION.
 4. CABLE STOP IS INCLUDED

FUNCTIONAL SYMBOLS	THIS DRAWING CONTAINS INFORMATION THAT IS PROPRIETARY TO MOLEX ELECTRONIC TECHNOLOGIES, LLC AND SHOULD NOT BE USED WITHOUT WRITTEN PERMISSION		
	DIMENSION UNITS	SCALE	CURRENT REV DESC: RELEASE CUSTOMER DRAWING
$\nabla = 0$	INCH/MM	NTS	
$\nabla = 0$	GENERAL TOLERANCES (UNLESS SPECIFIED)		
$\nabla = 0$		MM	INCH
DIVISIONAL SYMBOLS	4 PLACES	±	±
	3 PLACES	±	± 0.005
	2 PLACES	± 0.13	± 0.01
	1 PLACE	± 0.25	± 0.02
	0 PLACES	±	±
	ANGULAR TOL	± 0.5°	
DRAFT WHERE APPLICABLE MUST REMAIN WITHIN DIMENSIONS		THIRD ANGLE PROJECTION	DRAWING SERIES
			D-SIZE 130083
DOCUMENT NUMBER		DOC TYPE	DOC PART
1300830250		PSD	000
MATERIAL NUMBER		CUSTOMER	REVISION
SEE TABLE		GENERAL MARKET	A
SHEET NUMBER		1 OF 1	