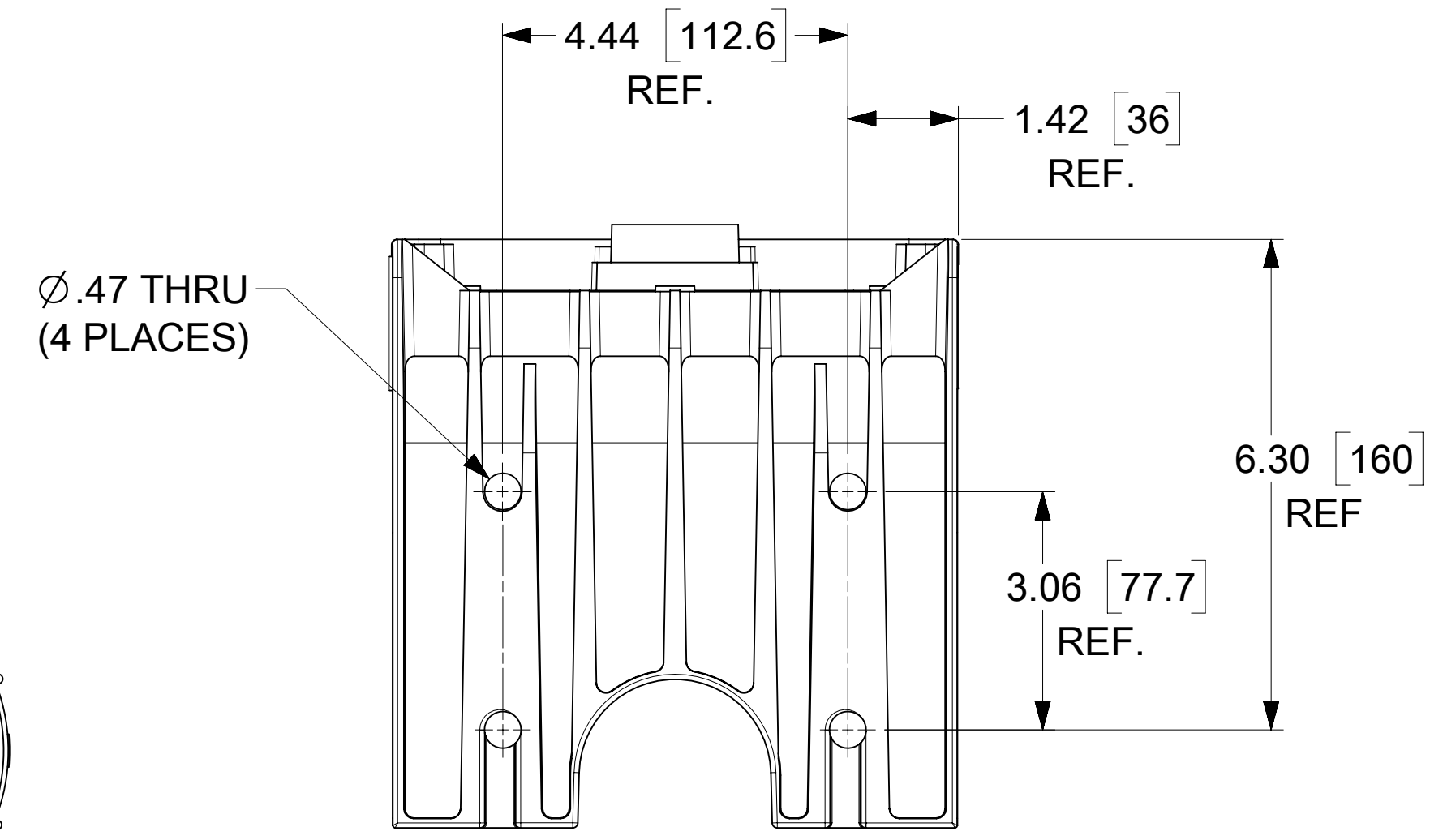
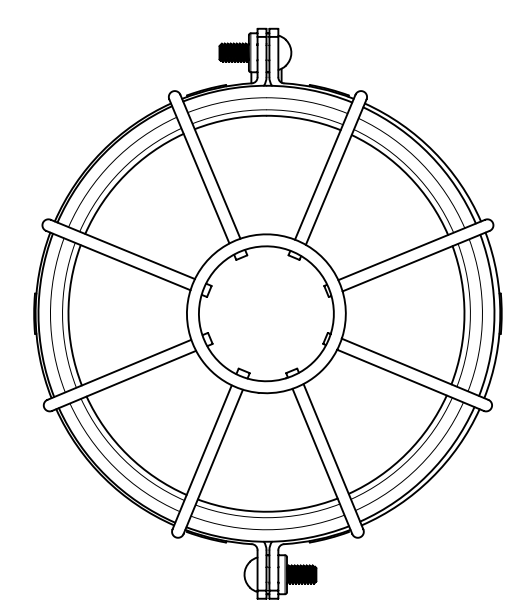
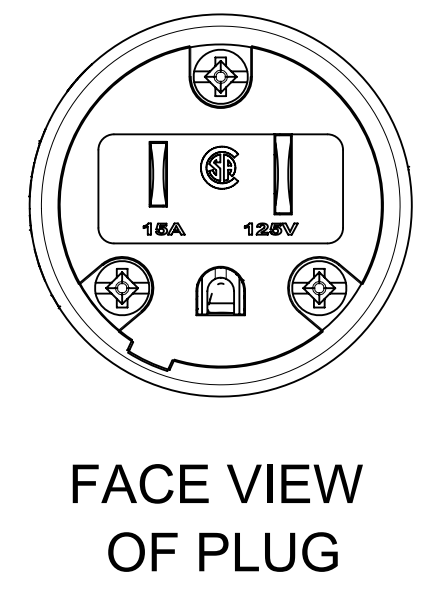
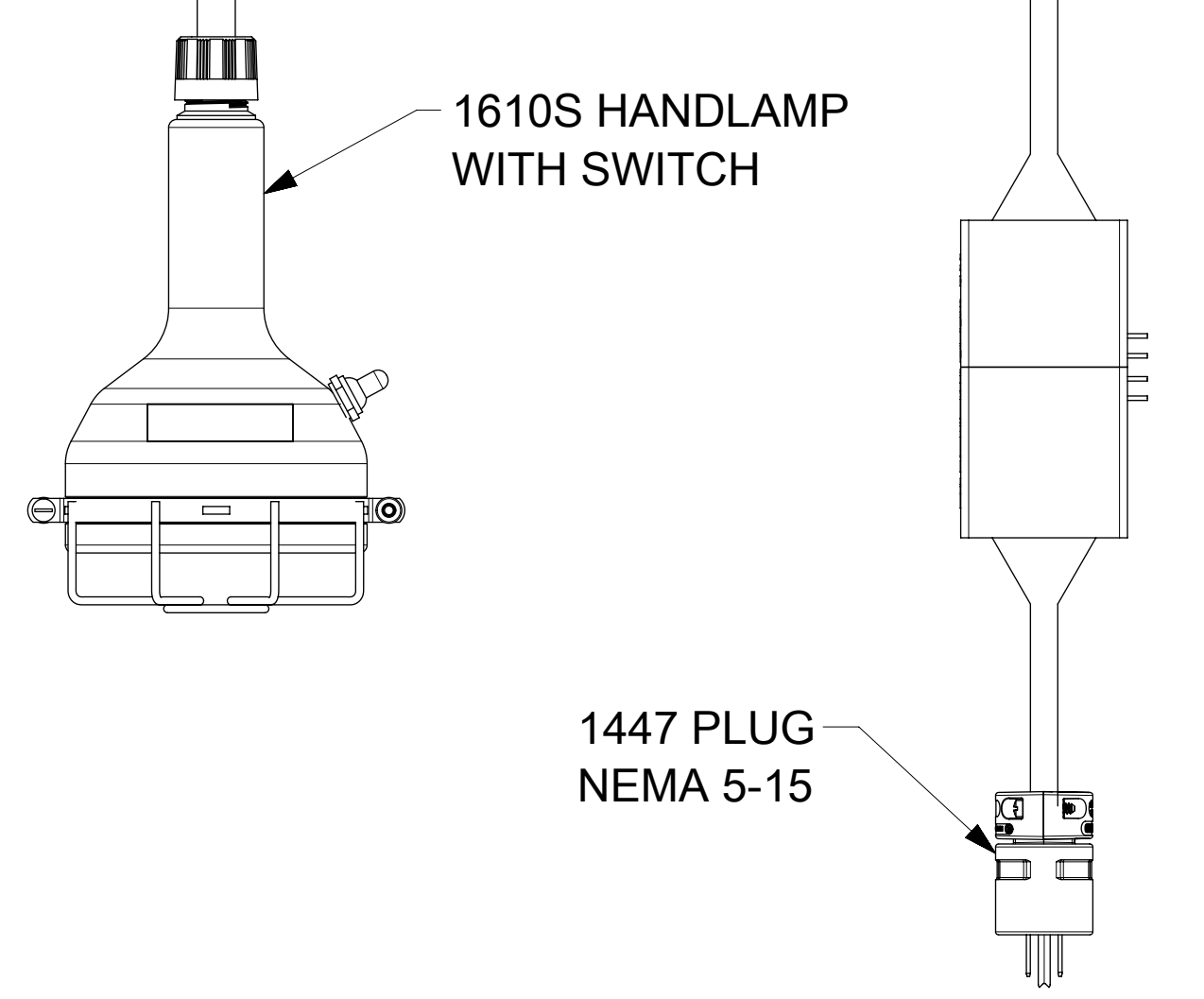
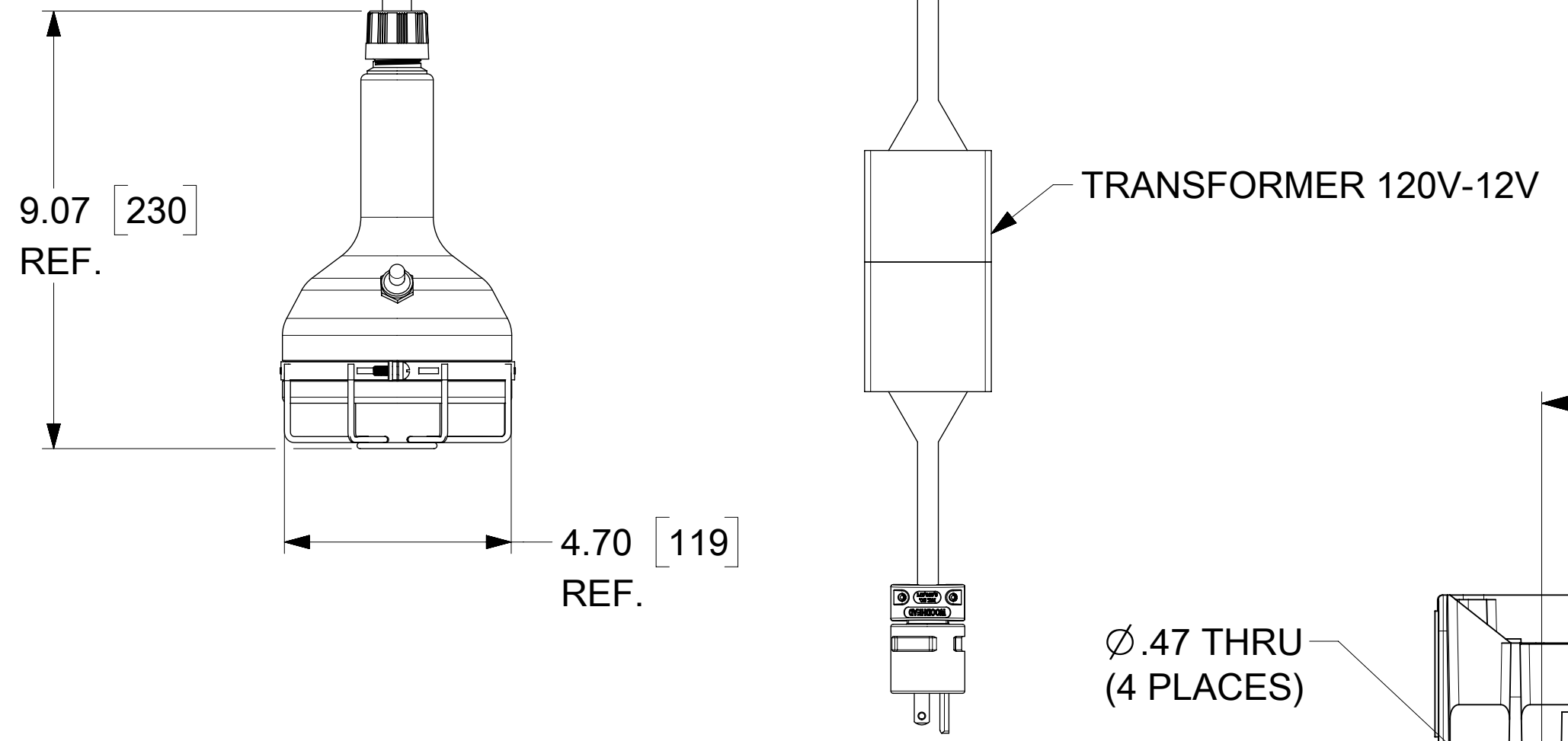
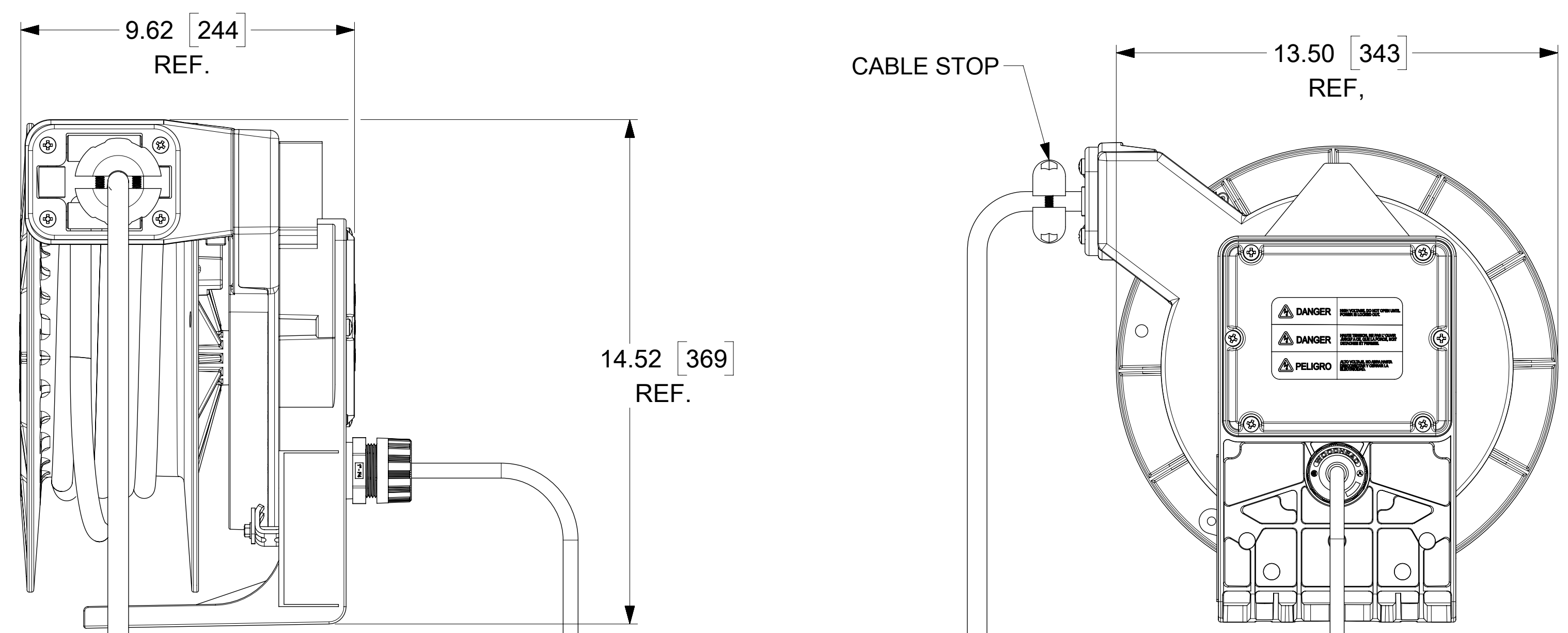
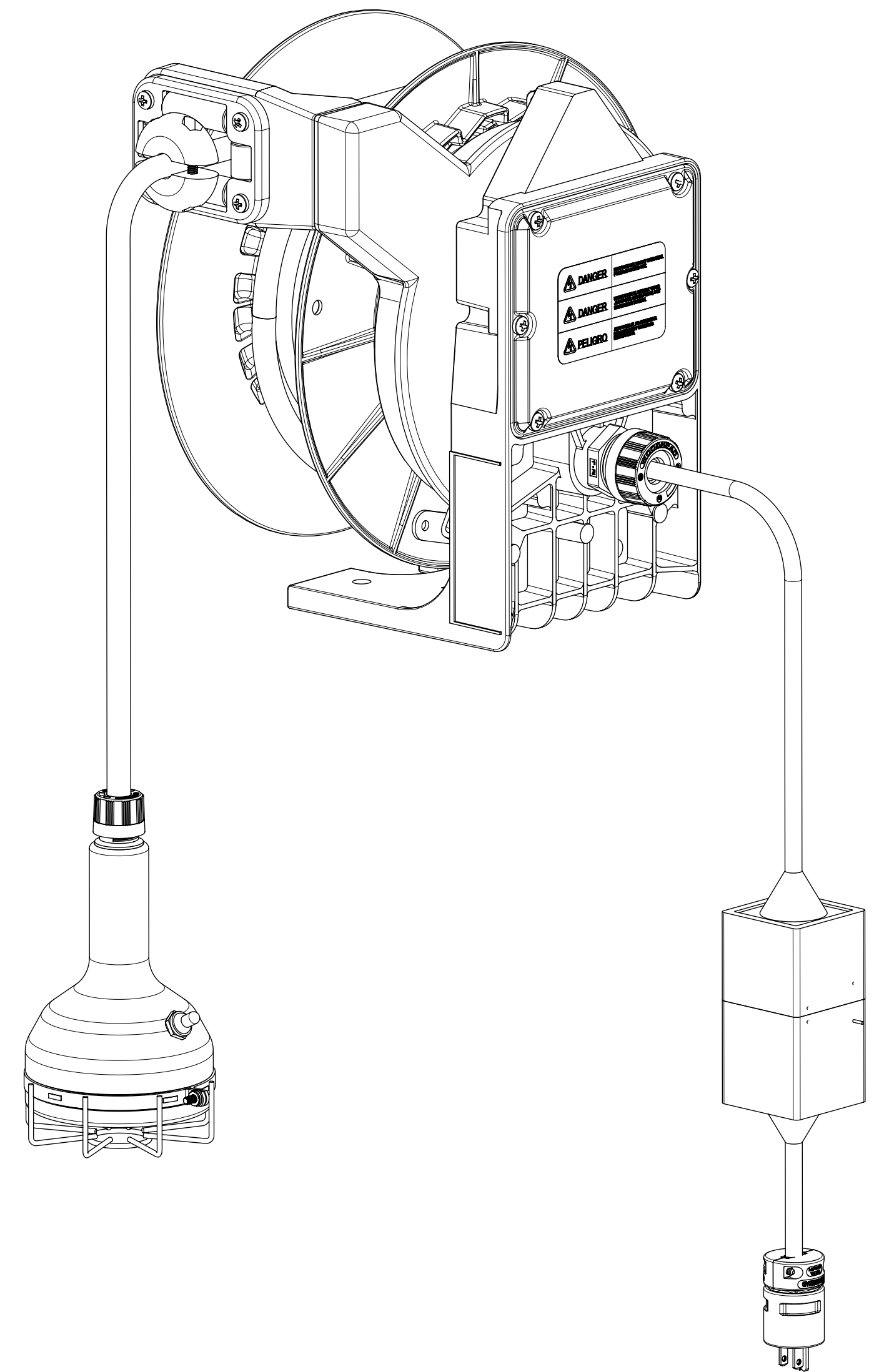


ORDER NO	130083-0245
WOODHEAD ENG. NO	9253-1610S
WIRE GAUGE	14
CONDUCTORS	3
AMPERAGE	13A
WORKING CORD	25 FT. YELLOW
PRIMARY CORD LENGTH	6 FT. YELLOW
CORD TYPE	SOOW
CONSTRUCTION	HEAVY WALL CAST ALUMINUM
PAINT	YELLOW POWDER COAT
REEL ENCLOSURE RATING	NEMA 4 INDOOR / OUTDOOR
RETRACTION WEIGHT	4.0 LB [1.8 KG]



Ø.47 THRU  
(4 PLACES)

- NOTES:**
- CABLE GUIDE IS ADJUSTABLE EVERY 5 DEGREES OVER 270 DEGREE ARC.
  - RATCHET LOCK IS EASY TO DISENGAGE FOR CONSTANT TENSION.
  - REEL CANNOT BE "LOCKED OUT" AT FULL EXTENSION.
  - CABLE STOP IS INCLUDED

FUNCTIONAL DIMENSION SYMBOLS	THIS DRAWING CONTAINS INFORMATION THAT IS PROPRIETARY TO MOLEX ELECTRONIC TECHNOLOGIES, LLC AND SHOULD NOT BE USED WITHOUT WRITTEN PERMISSION		SCALE: NTS			CURRENT REV DESC: RELEASE CUSTOMER DRAWING			
	GENERAL TOLERANCES (UNLESS SPECIFIED)		EC NO: 675217			DRWN: VHANDI 2020/10/06			
4 PLACES ±		±		CHK'D: DSOPPIN 2022/08/09			APPR: HKNEELAND 2022/08/10		
3 PLACES ±		± 0.005		INITIAL REVISION:			DRWN: DRWN BY XXXX/XX/XX		
2 PLACES ±		± 0.25		APPR: APPR BY			XXXX/XX/XX		
1 PLACE ±		± 0.13		ANGULAR TOL ± 0.5°			SERIES 130083		
0 PLACES ±		±		DRAFT WHERE APPLICABLE MUST REMAIN WITHIN DIMENSIONS			MATERIAL NUMBER 130083		
DIVISIONAL DIMENSION SYMBOLS		THIRD ANGLE PROJECTION		DRAWING D-SIZE		CUSTOMER GENERAL MARKET		SHEET NUMBER 1 OF 1	

**molex**

CABLE REEL – INDUSTRIAL DUTY 25' #14-3 SOOW W/ 12V 30W SPOTLIGHT W/ SWITCH, NEMA 5-15 PLUG & TRANSFORMER ON PRIMARY

PRODUCT CUSTOMER DRAWING

DOCUMENT NUMBER: 1300830245  
DOC TYPE: PSD  
DOC PART: 000  
REVISION: A