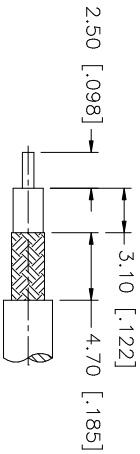
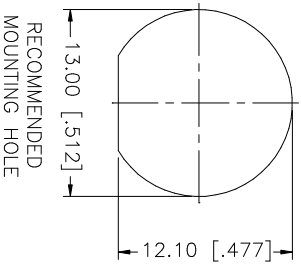
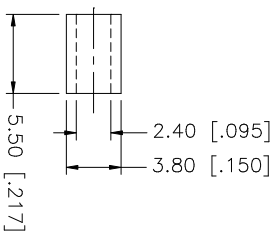
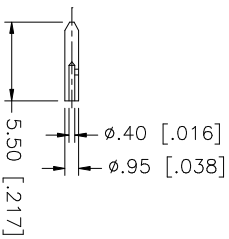
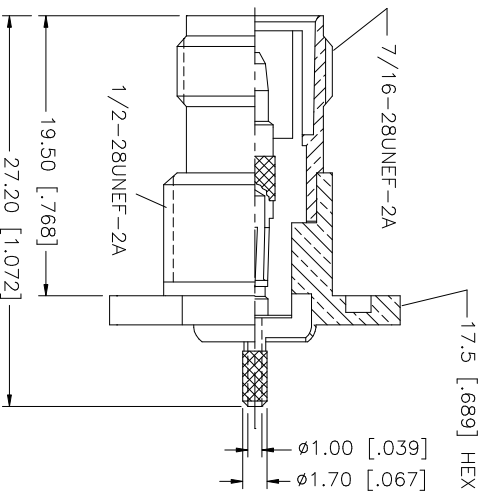
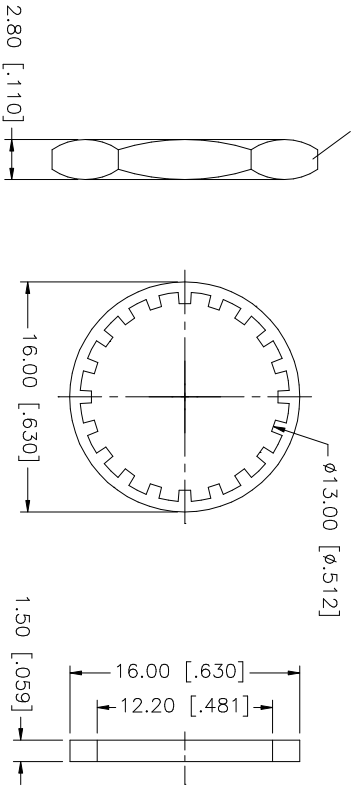


REV.	DATE	DESCRIPTION
A	01/10/04	UPDATE DRAWING FORMAT
B	03/27/05	ADD 17.5 HEX DIMENSION
C	04/12/06	MODIFY INTERNAL X-SECTION

16 [.630] HEX



RECOMMENDED CABLE STRIPPING DIM'S

CRIMP NOTES:

1. CRIMPED FERRULE HEX CRIMP SIZE .128"
2. CRIMPED CONTACT PIN SQ. CRIMP SIZE .7mm
3. MAX. PANEL THICKNESS = 5.0mm

QTY	DESCRIPTION	MATERIAL	FINISH	QTY	DO NOT SCALE DRAWING	APPROVALS	DATE	PART DESCRIPTION	
1	8 FERRULE	COPPER	NICKEL	1	UNLESS OTHERWISE SPECIFIED DIMENSIONS ARE IN INCHES AND FOR CUSTOMER REFERENCE ONLY. UNLESS OTHERWISE SPECIFIED TOLERANCES FOR MILLIMETERS ARE: 0.5 - 8mm ± 0.20mm 8 - 30mm ± 0.40mm 30 - 120mm ± 0.50mm UNLESS OTHERWISE SPECIFIED TOLERANCES FOR INCHES ARE: .020 - .315 = ± 0.007" .315 - 1.180 = ± 0.015" 1.180 - 4.724 = ± 0.020"				
1	7 HEX NUT	BRASS	NICKEL	1		DRAWN	G.R.S.	04/12/06	<b>Amphenol Connex</b> TNC REVERSE BULKHEAD CRIMP JACK (FOR RG-178B/U, 196A/U CABLE) 1222370RP
1	6 LOCK WASHER	BRASS	NICKEL	1		CHECKED			
1	4 GASKET	RUBBER	RED	1		ISSUED			
1	3 CONTACT PIN	PHOS. BRONZE	GOLD	1		SHEET	1 OF 1		
1	2 INSULATOR	TEFLON	NATURAL	1					
1	1 BODY	BRASS	NICKEL	1					
	DESCRIPTION	MATERIAL	FINISH	QTY					
					CAD FILE C:/122/1222370RP.DWG	DWG. NO. 1222370RP.DWG	REV. C	SIZE A	