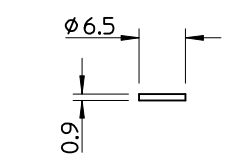
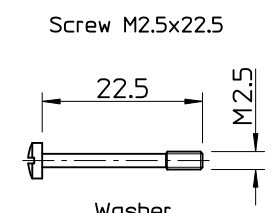
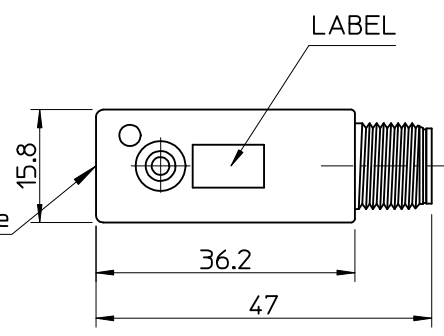
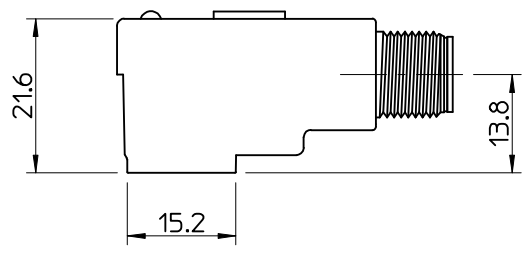
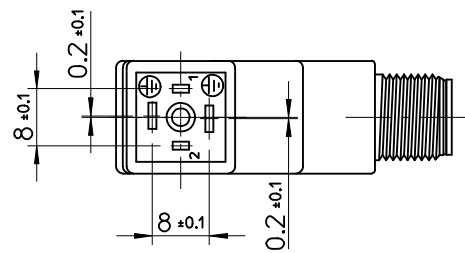
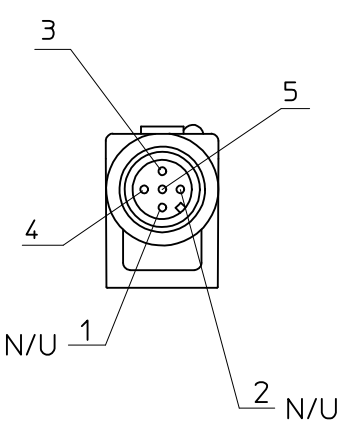
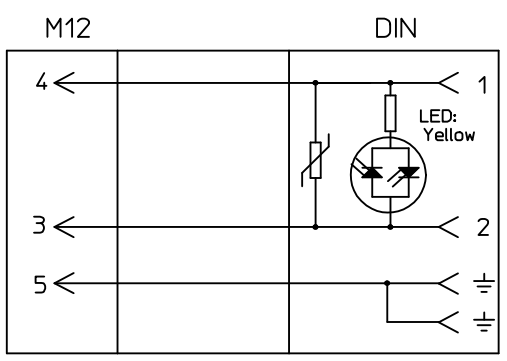
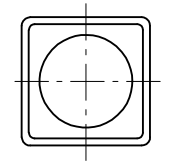


7 6 5 4 3 2 1

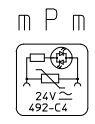
ELECTRICAL DIAGRAM  
Voltage: 24V



NBR Black Gasket - G19.2



Circuit printout C4 24V/White



Engineering No.: H850B0

- Notes:  
1. Single packing in plastic bag  
2. All dimensions are references

ORIGINAL RELEASE EC NO: IPG2014-1345 DRWN: JMARSZALEK 2013/11/28 CHKD: MSZWAJKOWSKI 2014/01/30 APPR: MIWASIECZKO 2014/01/30	DESCRIPTION QUALITY SYMBOLS ▽=0 ◻=0	GENERAL TOLERANCES (UNLESS SPECIFIED)		DIMENSION STYLE MM ONLY		SCALE -	DESIGN UNITS METRIC	THIRD ANGLE PROJECTION		
				DRAWN BY JMARSZALEK	DATE 2013/11/28	TITLE DIN-C-H6/H12 / M12-ST ADAPTER H850B0 <b>molex</b>				
				CHECKED BY MSZWAJKOWSKI	DATE 2014/01/30					
				APPROVED BY MIWASIECZKO	DATE 2014/01/30					
		MATERIAL NO. 1210370075		DOCUMENT NO. SD-121037-010	SHEET NO. 1 OF 1					
		ANGULAR ±---°		DRAFT WHERE APPLICABLE MUST REMAIN WITHIN DIMENSIONS		THIS DRAWING CONTAINS INFORMATION THAT IS PROPRIETARY TO MOLEX INCORPORATED AND SHOULD NOT BE USED WITHOUT WRITTEN PERMISSION				

6 5 4 3 2 1