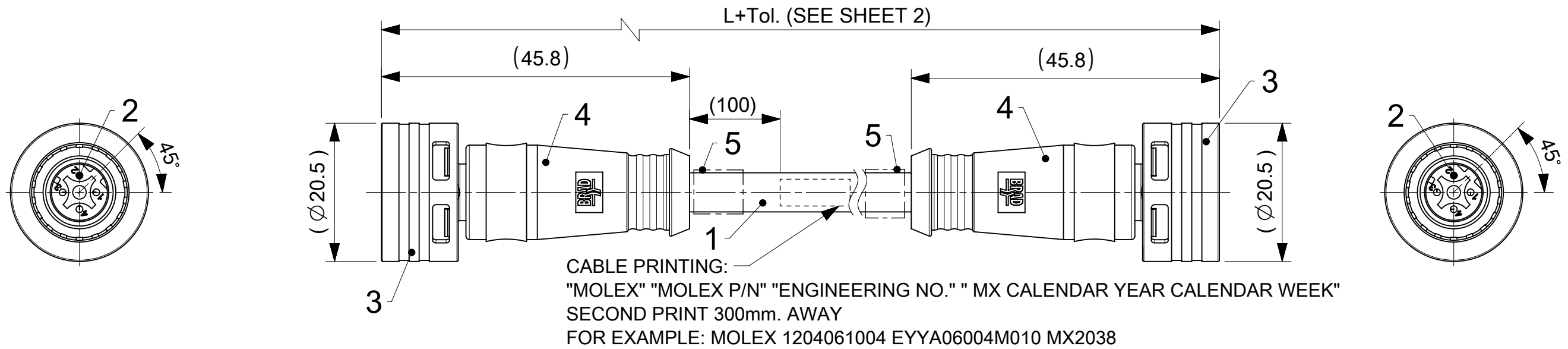
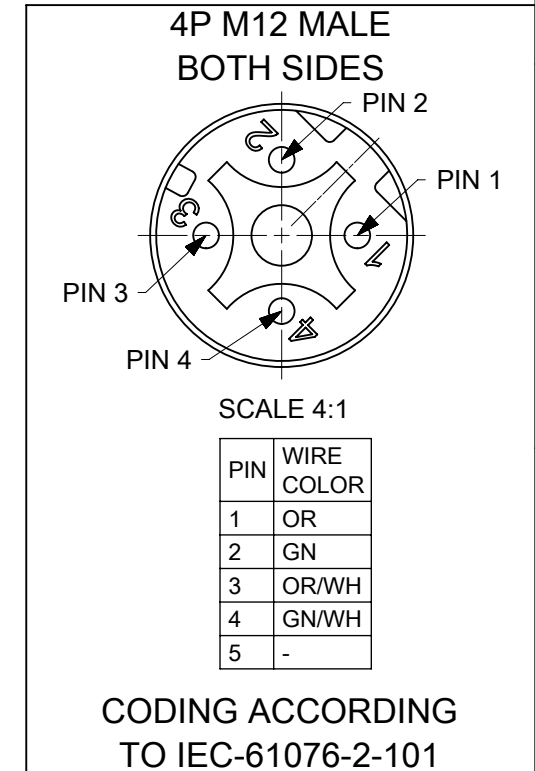
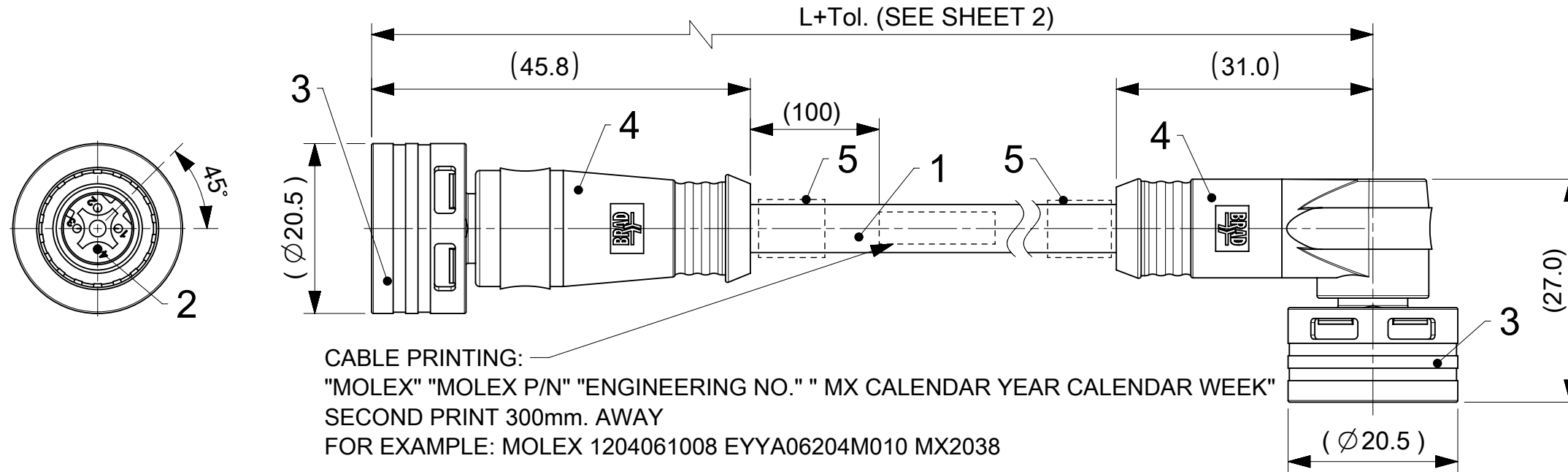


CSE U12ET 4P DC MA STR MA STR TPE XM DE UNSH TE :



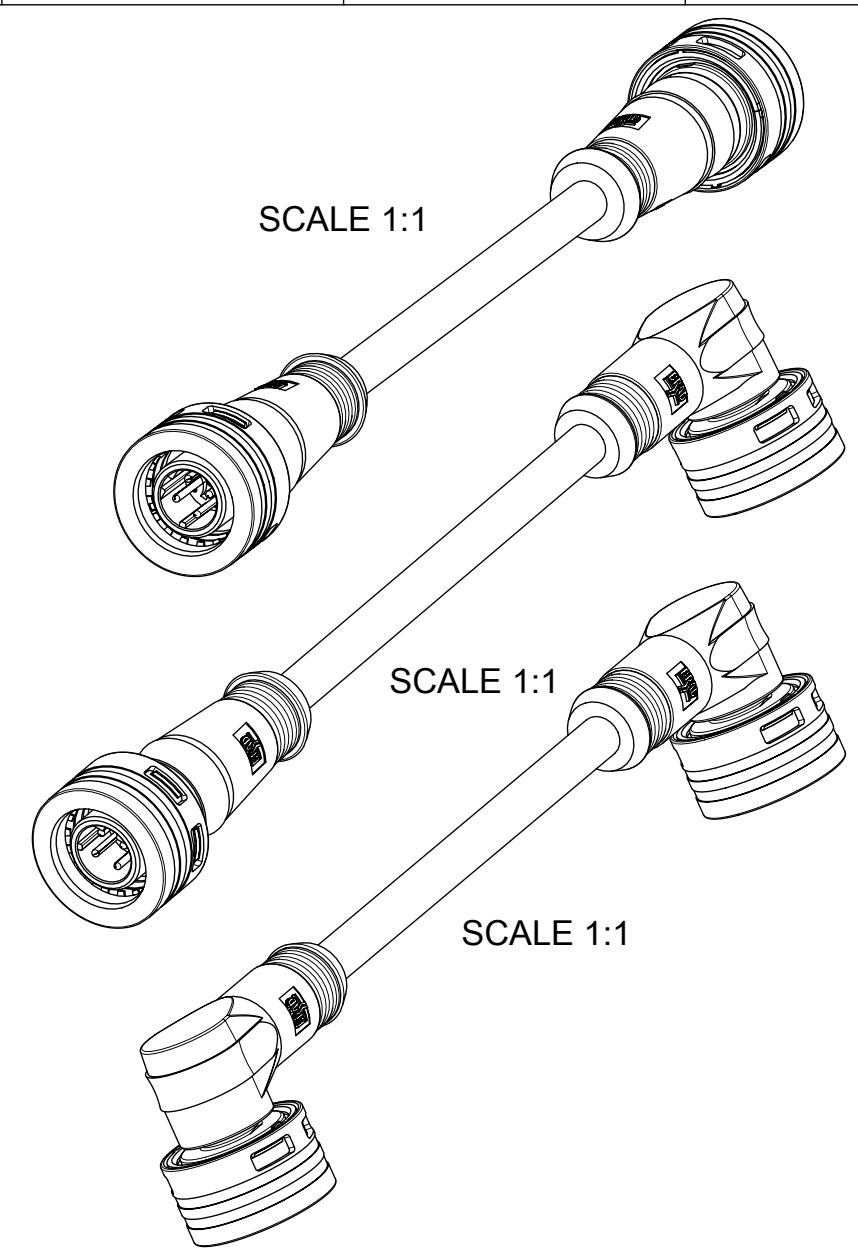
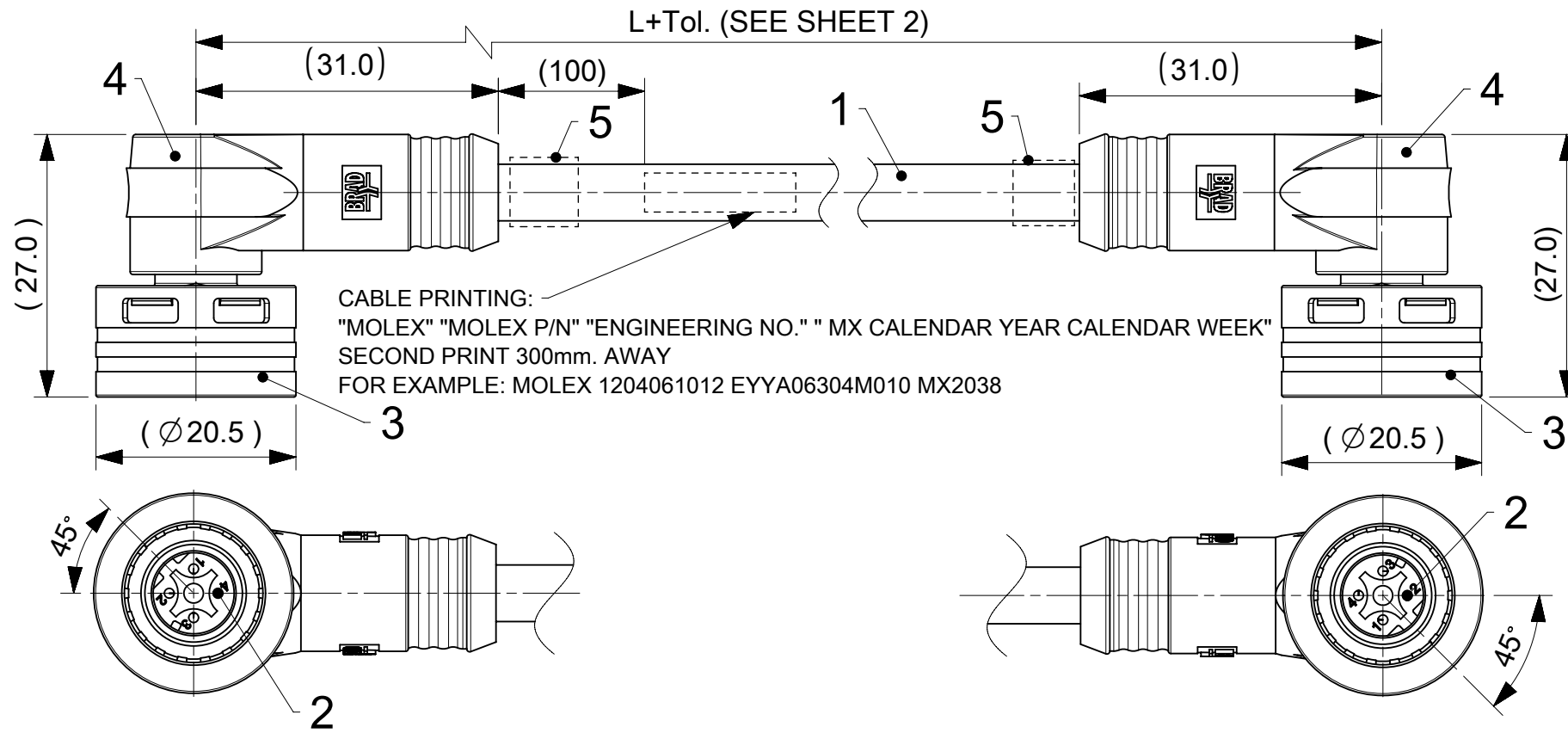
CSE U12ET 4P DC MA STR MA RA TPE XM DE UNSH TE :



- NOTES:
- PARTS ACC. TO PRODUCT SPECIFICATION 1204000001 PS P10 AND IN STYLE OF IEC-61076-2-010
 - BOM & PART LIST - SEE SHEET 2
 - ELECTRICAL DATA: ACCORDING TO CAT5e ETHERNET STANDARD
 RATED VOLTAGE: 60V DC
 RATED CURRENT: 1.5A, DERATING HAS TO BE CONSIDERED
 OVERVOLTAGE CATEGORY: 3
 POLLUTION DEGREE: 3, ONLY IN MATED AND LOCKED CONDITION
 TRANSMISSION CHARACTERISTICS ACCORDING TO ISO/IEC 11801 CAT 5e PATCH CORD PROFINET TYPE C
 - PROTECTION CLASS: IP 67, ONLY IN MATED AND LOCKED CONDITION
 - TEMPERATURE RANGE:
 TEMPERATURE PLUG/SOCKET: -40 °C TO +85 °C
 TEMPERATURE CABLE: SEE CABLE LIST
 - MECHANICAL OPERATIONS: 100 CYCLES
 - MATES WITH ULTRA-LOCK M12 FEMALE RECEPTACLES
 - PACKAGING: THE CORDSETS ARE SINGLE PACKED IN PLASTIC BAGS AND DELIVERED IN CARTON BOXES
 - UL CSA FILE REGISTRATION PENDING

FUNCTIONAL SYMBOLS		THIS DRAWING CONTAINS INFORMATION THAT IS PROPRIETARY TO MOLEX ELECTRONIC TECHNOLOGIES, LLC AND SHOULD NOT BE USED WITHOUT WRITTEN PERMISSION		CURRENT REV DESC: NOTES AND CABLE LIST UPDATED	
$\nabla_A = 0$	mm	SCALE	1.5:1	EC NO: 736602	
$\nabla_E = 0$	GENERAL TOLERANCES (UNLESS SPECIFIED)		DRWN: RSCHIEBER		2023/01/27
$\nabla_{E'} = 0$	ANGULAR TOL $\pm 1.0^\circ$		CHK'D: RSILLER		2023/01/31
DIVISIONAL SYMBOLS	4 PLACES	\pm	APPR: RSILLER		2023/01/31
	3 PLACES	\pm	INITIAL REVISION:		
	2 PLACES	± 0.05	DRWN: JELIZAINCIN		2021/04/21
	1 PLACE	± 0.3	APPR: RSILLER		2022/10/14
	0 PLACES	± 0.5	DRAFT WHERE APPLICABLE MUST REMAIN WITHIN DIMENSIONS		
THIRD ANGLE PROJECTION		DRAWING	SERIES	MATERIAL NUMBER	CUSTOMER
		A3-SIZE	120406	SEE SHEET 2	GENERAL MARKET
DOCUMENT NUMBER			DOC TYPE	DOC PART	REVISION
1204061004			PSD	000	A1
SHEET NUMBER		1 OF 2			

CSE U12ET 4P DC MA RA MA RA TPE XM DE UNSH TE :



PART No MATRIX

E Y Y A X X X X X X X X X X

- EYY=ETHERNET**
ULTRA LOCK 2.0
4 POLE D-CODE
DOUBLE ENDED
- WIRING:**
A = 4POLE
STRAIGHT
WIRED
- HEADER :**
060 = MALE STRAIGHT
- MALE STRAIGHT
062 = MALE STRAIGHT
- MALE RIGHT ANGLE
063 = MALE RIGHT ANGLE
- MALE RIGHT ANGLE
- CABLE:**
04 - ETHERNET CAT-5E
2x2x24AWG TPE TEAL
- UNIT:**
M = METER
F = FEET
C = CENTIMETER
T = 10M
- LENGTH:**
EXAMPLE:
010 = 1 m
050 = 5 m
100 = 10 m
- OVERMOLD:**
BLANK = STANDARD BRAD:
-YELLOW IN THE USA
-BLACK IN EUROPE
A = GREY
E = RED
G = BLACK
Y = YELLOW
H = STD. COLOUR WITH TWO
ID-TAG CARRIERS

CABLE LIST

4P	CABLE TYPE	DESCRIPTION	MATERIAL	FINISH/COLOR	FIXED INSTALLATION *		FLEXIBLE INSTALLATION **		DRAG CHAIN	
					MIN.	MAX.	MIN.	MAX.	MIN.	MAX.
X	04	CABLE ETHERNET CAT-5E TPE TEAL 2X2X24AWG D6.5	TPE	TEAL	-20°C	+75°C	-5°C	+75°C	-	-

* FIXED POSITION WITHOUT ACCIDENTAL CRUSHING OF VIBRATION.
 ** FREE MOTION WITHOUT PERIODIC RECURRENCE OR FORCED GUIDANCE.

CABLE LENGTH TOLERANCES

LENGTH	TOLERANCE
0m-1m	+40 mm
>1m-5m	+60 mm
>5m-10m	+80 mm
>10m-20m	+140 mm
>20m-30m	+160 mm
>30m	+1% length

PART LIST

MOLEX NO.	ENGINEERING NO.	LENGTH (mm)
1204061004	EYYA06004M010	1000
1204061005	EYYA06004M020	2000
1204061006	EYYA06004M050	5000
1204061007	EYYA06004M100	10000
1204061008	EYYA06204M010	1000
1204061009	EYYA06204M020	2000
1204061010	EYYA06204M050	5000
1204061011	EYYA06204M100	10000
1204061012	EYYA06304M010	1000
1204061013	EYYA06304M020	2000
1204061014	EYYA06304M050	5000
1204061015	EYYA06304M100	10000

BILL OF MATERIAL

MA STR	MA STR	MA RA	ITEM	QTY	DESCRIPTION	MATERIAL	FINISH/COLOR
-MA STR	-MA RA	-MA RA					
X	X	X	1	-	CABLE	SEE CABLE LIST	SEE CABLE LIST
X	X	X	2	8	CONTACT 10 MA STA NI	COPPER ALLOY	GOLD OVER NICKEL PLATED
X	X	X	3	2	PLG U12 4P DC MA PA UNSH WT	-	-
X	X	X	4	2	OVERMOLD	TPC	SEE MATRIX
IF "H" IS IN MATRIX-END			5	2	I/D CARRIER DIA 4-7MMX30MM	PVC	TRANSPARENT

DOCUMENT STATUS: P1 | RELEASE DATE: 2023/01/31 08:21:28

THIS DRAWING CONTAINS INFORMATION THAT IS PROPRIETARY TO MOLEX ELECTRONIC TECHNOLOGIES, LLC AND SHOULD NOT BE USED WITHOUT WRITTEN PERMISSION

FUNCTIONAL SYMBOLS	THIS DRAWING CONTAINS INFORMATION THAT IS PROPRIETARY TO MOLEX ELECTRONIC TECHNOLOGIES, LLC AND SHOULD NOT BE USED WITHOUT WRITTEN PERMISSION	SCALE: 1.5:1	CURRENT REV DESC: NOTES AND CABLE LIST UPDATED
GENERAL TOLERANCES (UNLESS SPECIFIED)	EC NO: 736602	DRWN: RSCHIEBER	2023/01/27
ANGULAR TOL ± 1.0°	4 PLACES ±	CHK'D: RSILLER	2023/01/31
3 PLACES ±	APPR: RSILLER	2023/01/31	
2 PLACES ± 0.05	INITIAL REVISION:		
1 PLACE ± 0.3	DRWN: JELIZAINCIN	2021/04/21	
0 PLACES ± 0.5	APPR: RSILLER	2022/10/14	
DRAFT WHERE APPLICABLE MUST REMAIN WITHIN DIMENSIONS	THIRD ANGLE PROJECTION	DRAWING: A3-SIZE	SERIES: 120406
MATERIAL NUMBER: SEE PART LIST		CUSTOMER: GENERAL MARKET	SHEET NUMBER: 2 OF 2

molex

CSE U12ET 4P DC MA MA TPE XM DE UNSH TE

PRODUCT CUSTOMER DRAWING

DOCUMENT NUMBER: 1204061004 | DOC TYPE: PSD | DOC PART: 000 | REVISION: A1