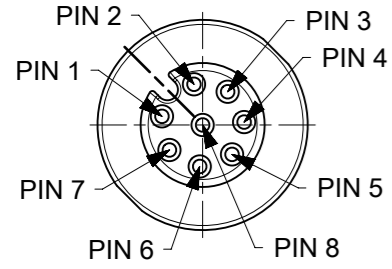
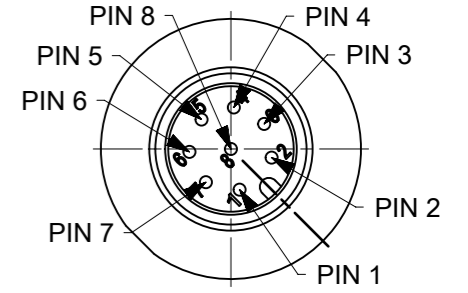


8P M12 FEMALE

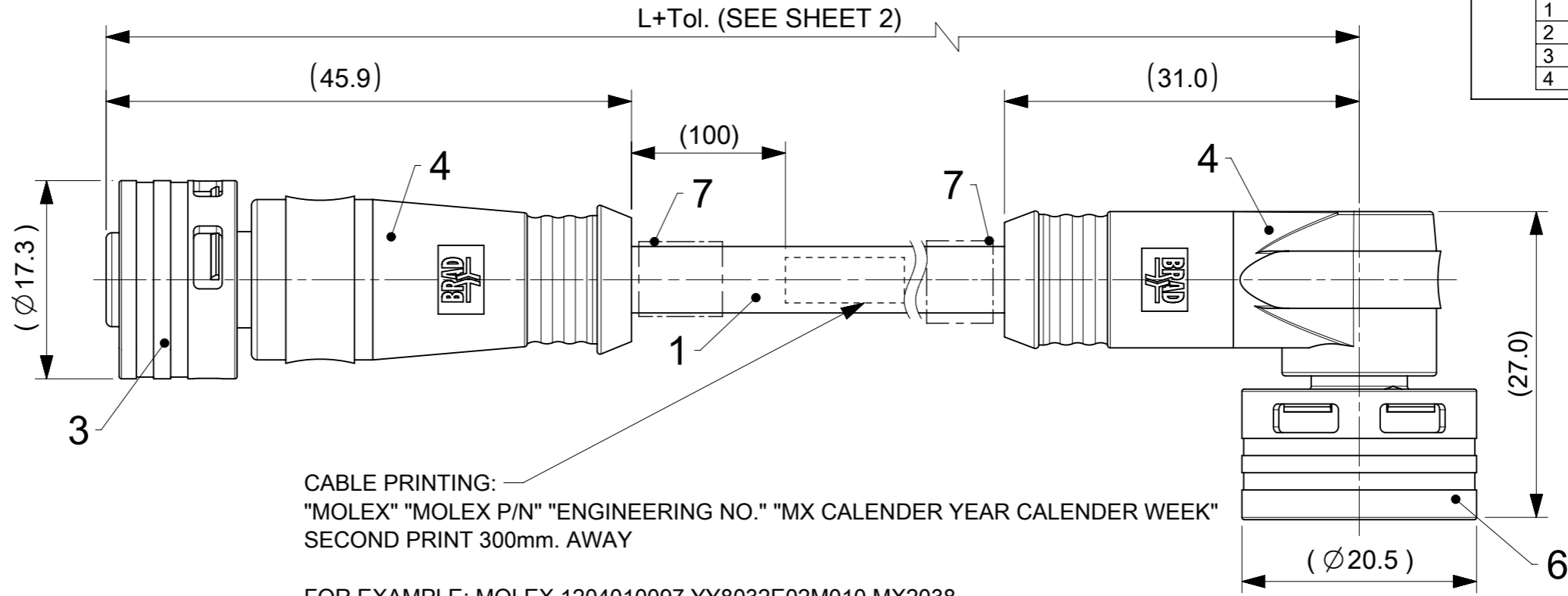


PIN	WIRE COLOR	PIN	WIRE COLOR
1	WH	5	GY
2	BN	6	PK
3	GN	7	BU
4	YE	8	RD

8P M12 MALE



PIN	WIRE COLOR	PIN	WIRE COLOR
1	WH	5	GY
2	BN	6	PK
3	GN	7	BU
4	YE	8	RD

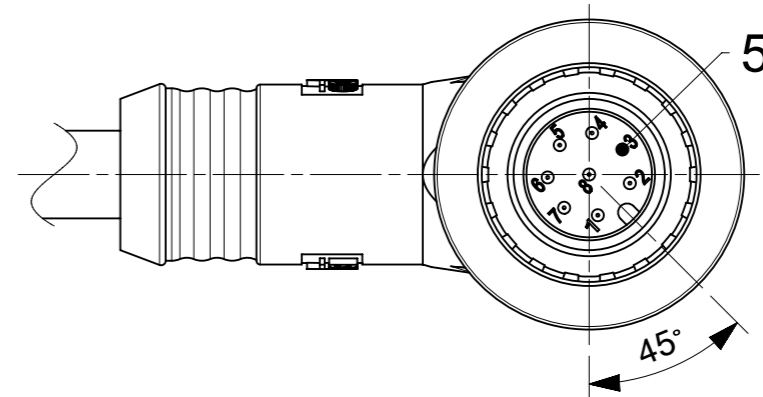


CABLE PRINTING:
 "MOLEX" "MOLEX P/N" "ENGINEERING NO." "MX CALENDER YEAR CALENDER WEEK"
 SECOND PRINT 300mm. AWAY

FOR EXAMPLE: MOLEX 1204010097 YY8032E02M010 MX2038

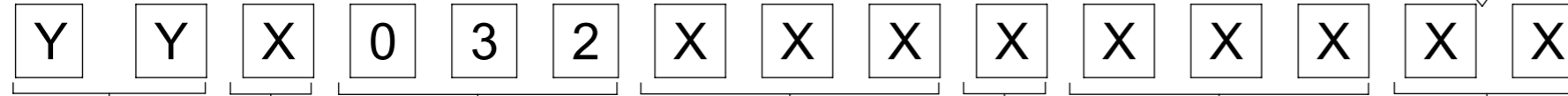
NOTES:

- PARTS ACC. TO PRODUCT SPECIFICATION 120400001 PS P10 AND IN STYLE OF IEC-61076-2-010
- BOM & PART LIST - SEE SHEET 2
- RATED VOLTAGE:
 8 CONTACTS: 30V AC OR DC
 RATED CURRENT:
 8 CONTACTS: 2A, DERATING HAS TO BE CONSIDERED
 OVERVOLTAGE CATEGORY: 3
 POLLUTION DEGREE: 3, ONLY IN MATED AND LOCKED CONDITION
- PROTECTION CLASS: IP 67, ONLY IN MATED AND LOCKED CONDITION
- TEMPERATURE RANGE:
 TEMPERATURE PLUG/SOCKET: -40 °C TO +85 °C
 TEMPERATURE CABLE: SEE CABLE LIST
- MECHANICAL OPERATIONS: 100 CYCLES
- MATES WITH ULTRA-LOCK M12 RECEPTACLES
- PACKAGING: THE CORDSETS ARE SINGLE PACKED IN PLASTIC BAGS AND DELIVERED IN CARTON BOXES
- UL CSA FILE REGISTRATION PENDING



FUNCTIONAL SYMBOLS	THIS DRAWING CONTAINS INFORMATION THAT IS PROPRIETARY TO MOLEX ELECTRONIC TECHNOLOGIES, LLC AND SHOULD NOT BE USED WITHOUT WRITTEN PERMISSION		CURRENT REV DESC: NOTES AND CABLE LIST UPDATED		molex	
	mm	2:1				
DIVISIONAL SYMBOLS	GENERAL TOLERANCES (UNLESS SPECIFIED)		EC NO: 736602		CSE U12 8P AC FE STR MA RA XM DE UNSH BK	
	ANGULAR TOL ± 1.0°		DRWN: RSCHIEBER		2023/01/27	
	4 PLACES ±		CHK'D: RSILLER		2023/01/31	
	3 PLACES ±		APPR: RSILLER		2023/01/31	
	2 PLACES ± 0.05		INITIAL REVISION:		DOCUMENT NUMBER	
1 PLACE ± 0.3		DRWN: MDHARMANTI		1204010097		
0 PLACES ± 0.5		APPR: RSILLER		PSD 000 A1		
DRAFT WHERE APPLICABLE MUST REMAIN WITHIN DIMENSIONS		THIRD ANGLE PROJECTION	DRAWING	SERIES	MATERIAL NUMBER	CUSTOMER
			A3-SIZE	120401	SEE SHEET 2	GENERAL MARKET
						SHEET NUMBER
						1 OF 2

PART No MATRIX



YY= ULTRA LOCK 2.0
DOUBLE ENDED

POLES:
8 = 8 POLES

HEADER :
032= FEMALE STRAIGHT
- MALE RIGHT ANGLE

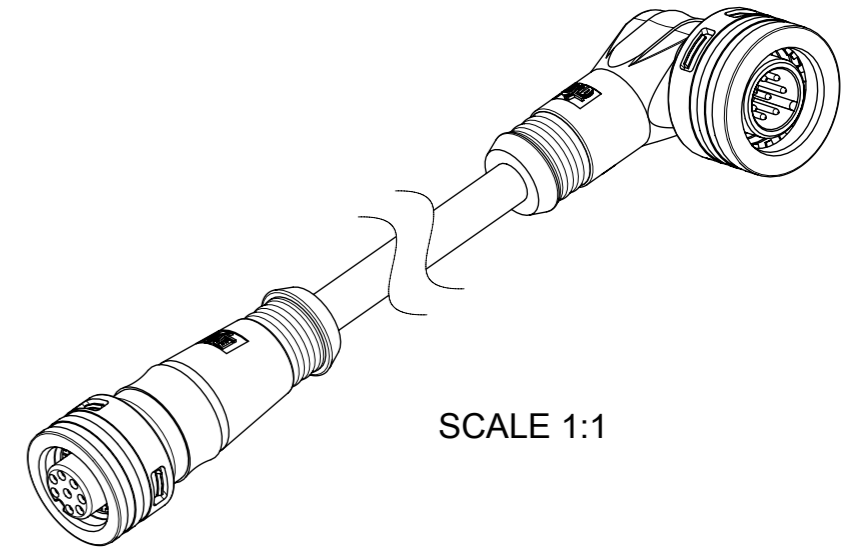
CABLE:
E02 - 8x0.25 PVC BLACK
B41 - 8x0.25 WSOR BLACK
H08 - 8x0.25 PUR-LS0H BLACK

UNIT:
M = METER
F = FEET
C = CENTIMETER
T = 10M

LENGTH:
EXAMPLE:
010 = 1 m
050 = 5 m
100 = 10 m

OVERMOLD:
BLANK = STANDARD BRAD:
-YELLOW IN THE USA
-BLACK IN EUROPE

A = GREY
E = RED
G = BLACK
Y = YELLOW
H = STD. COLOUR WITH TWO
ID-TAG CARRIERS



SCALE 1:1

CABLE LIST

8P	CABLE TYPE	DESCRIPTION	MATERIAL	FINISH/COLOR	FIXED INSTALLATION *		FLEXIBLE INSTALLATION **		DRAG CHAIN	
					MIN.	MAX.	MIN.	MAX.	MIN.	MAX.
X	E02	8X0.25MM;UNSHLD;PVC;BK;OD=6.60MM	PVC	BLACK	-30°C	+80°C	-10°C	+80°C	NOT SUITABLE	
X	B41	CABLE 8X0.25 TPU BK D6.40 TPE UNSH DCS	PUR WSOR	BLACK	-40°C	+90°C	-25°C	+80°C	-5°C	+60°C
X	H08	CABLE PUR;BLK 8X0.25MM-LSOH;UL OD=6.10	PUR-LS0H	BLACK	-40°C	+80°C	-25°C	+80°C	+5°C	+60°C

* FIXED POSITION WITHOUT ACCIDENTAL CRUSHING OF VIBRATION.

** FREE MOTION WITHOUT PERIODIC RECURRENCE OR FORCED GUIDANCE.

PART LIST

MOLEX NO.	ENGINEERING NO.	LENGTH (mm)
1204010097	YY8032E02M010	1000
1204010098	YY8032E02M020	2000
1204010099	YY8032E02M050	5000
1204010100	YY8032E02M100	10000
1204010101	YY8032B41M010	1000
1204010102	YY8032B41M020	2000
1204010103	YY8032B41M050	5000
1204010104	YY8032B41M100	10000
1204010105	YY8032H08M010	1000
1204010106	YY8032H08M020	2000
1204010107	YY8032H08M050	5000
1204010108	YY8032H08M100	10000

CABLE LENGTH TOLERANCES	
LENGTH	TOLERANCE
0m-1m	+40 mm
>1m-5m	+60 mm
>5m-10m	+80 mm
>10m-20m	+140 mm
>20m-30m	+160 mm
>30m	+1% length

BILL OF MATERIAL

ITEM	QTY	DESCRIPTION	MATERIAL	FINISH/COLOR
1	-	CABLE	SEE CABLE LIST	SEE CABLE LIST
2	8	CONTACT 8 FE TUR AU	BRASS	GOLD OVER NICKEL PLATED
3	1	PLG U12 8P AC FE PA UNSH	-	-
4	2	OVERMOLD	TPC	SEE MATRIX
5	8	CONTACT 8 MA TUR AU	BRASS	GOLD OVER NICKEL PLATED
6	1	PLG U12 8P AC MA PA UNSH WT	-	-
7	SEE PN MATRIX *	I/D CARRIER DIA 4-7MMX30MM	PVC	TRANSPARENT

* IF IN MATRIX IS "H" - INDICATES ID-CARRIERS ON THE BOTH SIDES HARNESS

FUNCTIONAL SYMBOLS	THIS DRAWING CONTAINS INFORMATION THAT IS PROPRIETARY TO MOLEX ELECTRONIC TECHNOLOGIES, LLC AND SHOULD NOT BE USED WITHOUT WRITTEN PERMISSION	SCALE		CURRENT REV DESC: NOTES AND CABLE LIST UPDATED	molex
	mm	2:1	GENERAL TOLERANCES (UNLESS SPECIFIED)		
DIVISIONAL SYMBOLS	ANGULAR TOL ± 1.0°	4 PLACES ±	EC NO: 736602	2023/01/27	CSE U12 8P AC FE STR MA RA XM DE UNSH BK
	3 PLACES ±	DRWN: RSCHIEBER	2023/01/31	PRODUCT CUSTOMER DRAWING	
2 PLACES ± 0.05	APPR: RSILLER	2023/01/31	INITIAL REVISION:	DOCUMENT NUMBER	DOC TYPE
1 PLACE ± 0.3	DRWN: MDHARMANTI	2021/03/18	APPR: RSILLER	1204010097	PSD
0 PLACES ± 0.5	DRAFT WHERE APPLICABLE MUST REMAIN WITHIN DIMENSIONS	THIRD ANGLE PROJECTION	DRAWING	SERIES	MATERIAL NUMBER
			A3-SIZE	120401	SEE PART LIST
					CUSTOMER
					GENERAL MARKET
					SHEET NUMBER
					2 OF 2