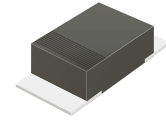


CDBVF240-HF

2.0A Low VF Surface Mount Schottky Barrier Rectifiers-40V

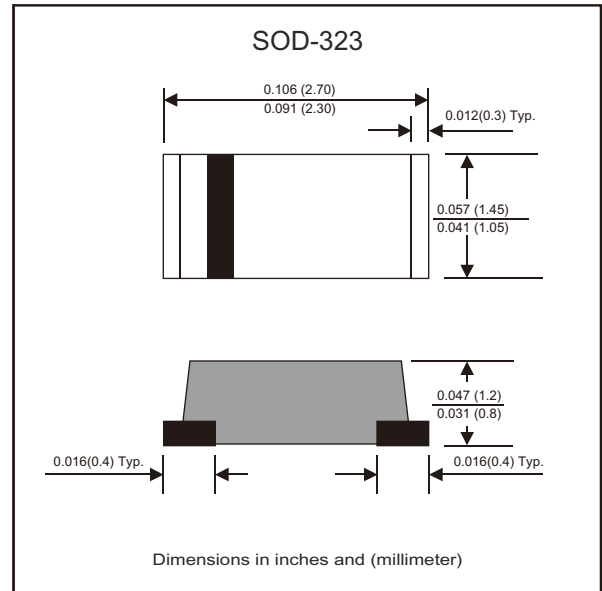


Features

- *High current density schottky
- *Low power loss,high efficiency
- *High current capability,low forward voltage drop
- *High surge capability
- *Very tiny plastic SMD package
- *Lead-free parts meet RoHS requirements
- *Suffix"-H" indicates Halogen-free part

Mechanical data

- *Epoxy : UL94-V0 rated flame retardant
- *Case : Molded plastic,SOD-323
- *Terminals : Plated terminals,solderable per MIL-STD-750, Method 2026
- *Polarity : Indicated by cathode band
- *Mounting Position : Any
- *Weight : Approximated 0.008 gram



Circuit Diagram



Maximum Ratings (at TA=25°C unless otherwise noted)

Parameter	Symbol	CDBVF240-HF	Unit
Repetitive peak reverse voltage	V _{RRM}	40	V
Maximum RMS voltage	V _{RMS}	28	V
Continuous reverse voltage	V _R	40	V
Maximum forward voltage @IF=2.0A, TJ=25°C	V _F	0.48	V
Forward rectified current	I _O	2.0	A
Non-repetitive peak forward surge current 1.0ms square-wave	I _{FSM}	30	A
Maximum reverse current	I _R	V _R =V _{RRM} @T _J =25°C	0.5
		V _R =V _{RRM} @T _J =100°C	20
Typ. Thermal resistance,junction to ambient air (Note1)	R _{θJA}	80	°C/W
Typ. Thermal resistance,junction to case (Note1)	R _{θJC}	70	°C/W
Operating junction temperature	T _J	-55 to +100	°C
Storage temperature	T _{STG}	-65 to +175	°C

Note 1: Mounted on aluminum substrate

Company reserves the right to improve product design , functions and reliability without notice.

Fig.1- Typical Forward Current Derating Curve

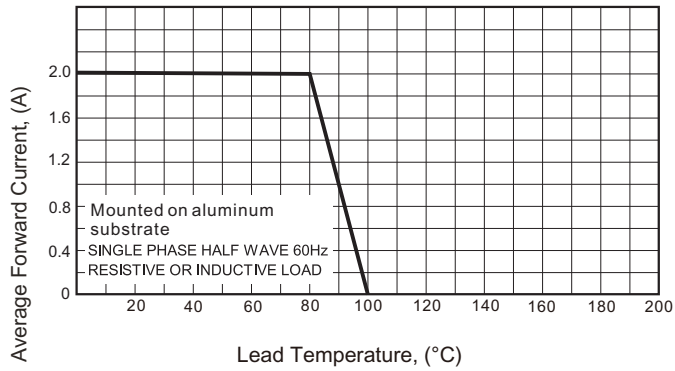


Fig.2- Typical Forward Characteristics

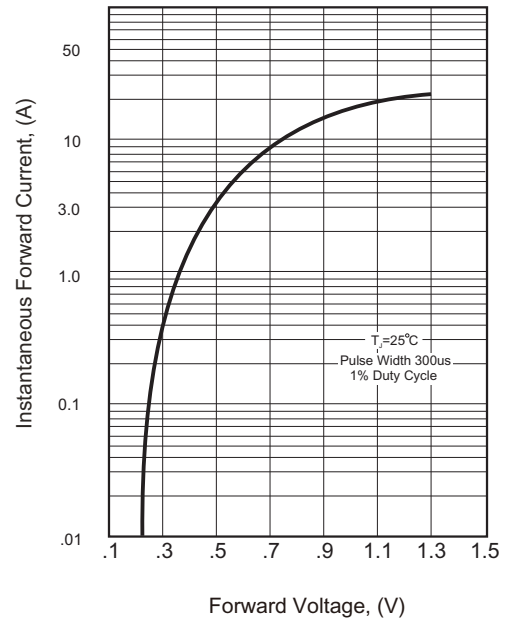


Fig.5- Typical Reverse Characteristics

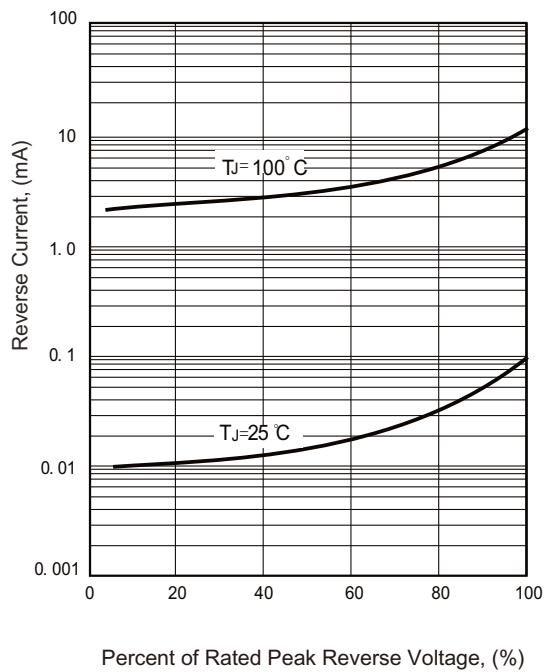
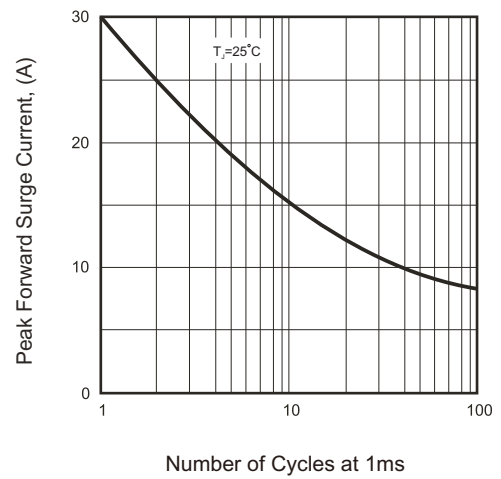
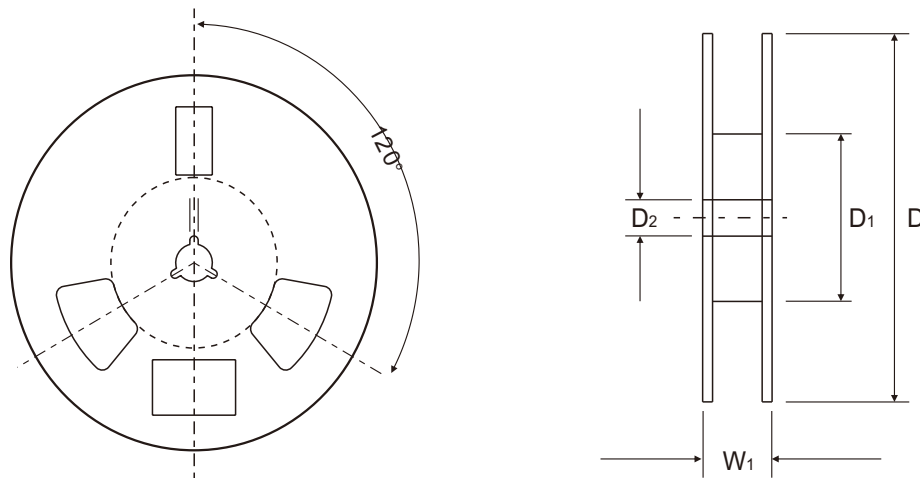
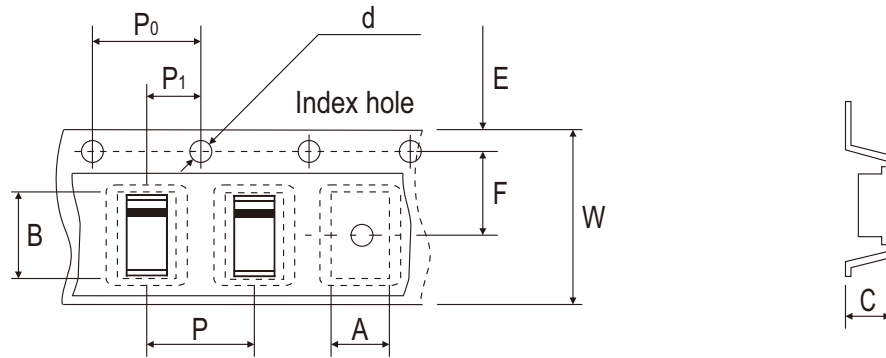


Fig.4 - Maximum Non-repetitive Forward Surge Current



Reel Taping Specification



SOD-323	SYMBOL	A	B	C	d	D	D1	D2
	(mm)	1.47 ± 0.10	2.95 ± 0.10	1.15 ± 0.10	1.50 ± 0.10	178 ± 2	62.0 MIN.	13.00 ± 0.50
	(inch)	0.058 ± 0.004	0.116 ± 0.004	0.045 ± 0.004	0.059 ± 0.004	7.008 ± 0.079	2.441 MIN.	0.512 ± 0.020

SOD-323	SYMBOL	E	F	P	P ₀	P ₁	W	W ₁
	(mm)	1.75 ± 0.10	3.50 ± 0.10	4.00 ± 0.10	4.00 ± 0.10	2.00 ± 0.10	8.00 ± 0.30	11.4 ± 1.00
	(inch)	0.069 ± 0.004	0.138 ± 0.004	0.157 ± 0.004	0.157 ± 0.004	0.079 ± 0.004	0.315 ± 0.012	0.449 ± 0.039

Marking Code

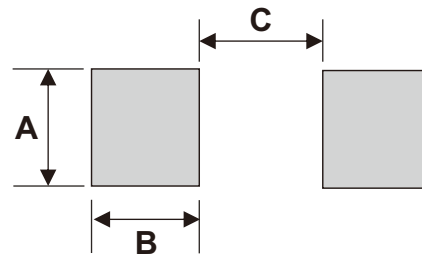
Part Number	Marking Code
CDBVF240-HF	L4



XX=Product type marking code

Suggested PAD Layout

SIZE	SOD-323	
	(mm)	(inch)
A	1.50	0.059
B	1.00	0.039
C	1.30	0.051



Standard Packaging

Case Type	Qty per Reel	Reel Size
	(Pcs)	(inch)
SOD-323	3,000	7