

5

4

3

2

1

G

G

F

F

E

E

D

D

C

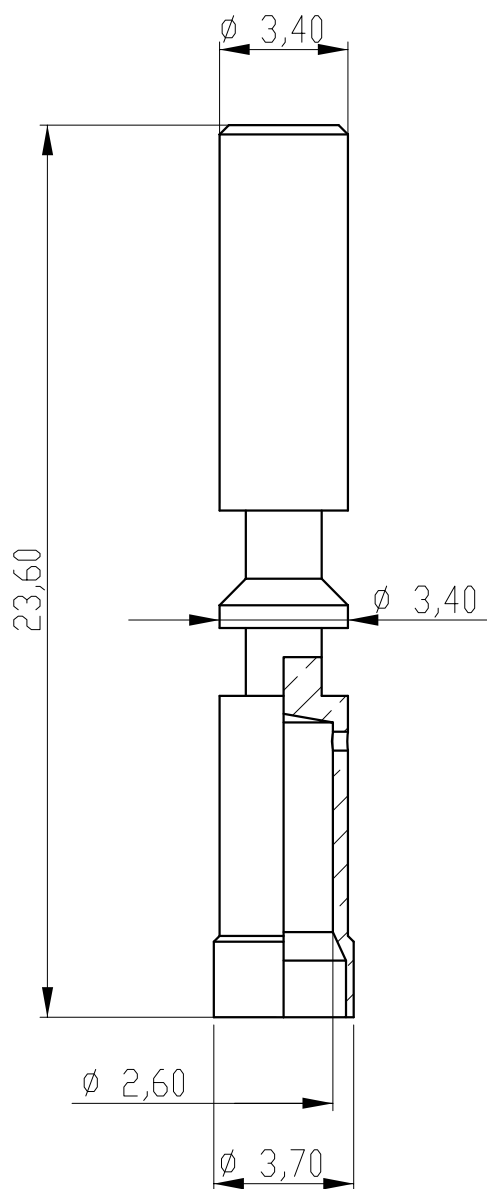
C

B

B

A

A



Notes:

Packaging units: 36 pcs

Tolerances (unless specified): DIN ISO 2768 m

Bemerkungen:

Verpackungseinheit: 36 Stück

Toleranzen (sofern nichts anderes angegeben ist):
DIN ISO 2768 m

DESCRIPTION EC NO: WEU2008-0019 DRWN: BBRAUCH 2008/05/15 CHKD: LS 2008/05/26 APPR: REISSNER 2008/05/27	QUALITY SYMBOLS	GENERAL TOLERANCES (UNLESS SPECIFIED)		DIMENSION STYLE MM		SCALE 5:1	DESIGN UNITS METRIC	FIRST ANGLE PROJECTION
	▼ = 0	4 PLACES	±----	±----	DRAWN BY	DATE	M23 PWR CONT2.0 FEM 2.5 - 4.0 P/N: KCP00-20	
	▽ = 0	3 PLACES	±----	±----	CHECKED BY	DATE		
		2 PLACES	±----	±----	APPROVED BY	DATE	MOLEX INCORPORATED	
	1 PLACE	±----	±----	RE	2008/05/26	MATERIAL NO. 1202350019		
		ANGULAR ± --- °		DRAFT WHERE APPLICABLE MUST REMAIN WITHIN DIMENSIONS		THIS DRAWING CONTAINS INFORMATION THAT IS PROPRIETARY TO MOLEX INCORPORATED AND SHOULD NOT BE USED WITHOUT WRITTEN PERMISSION		
01	REV							

5

4

3

2

1