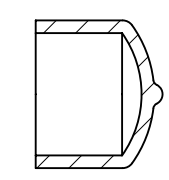
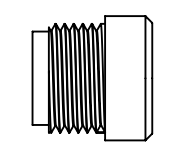
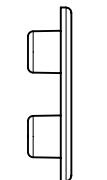
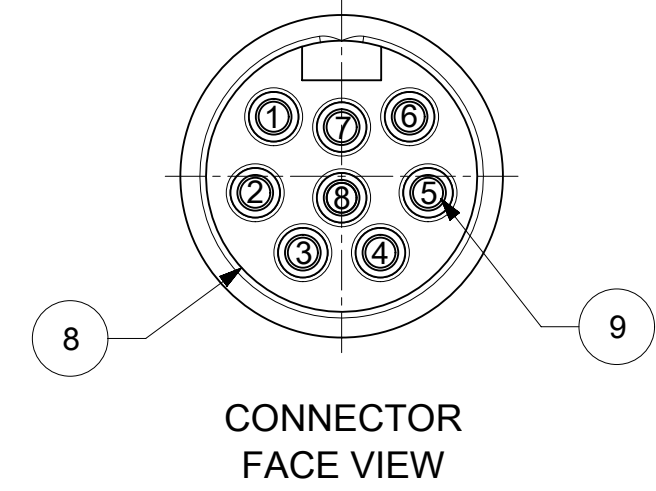


MATERIAL NO.	ENGINEERING NO.	FINISHED LENGTH
1201150041	803N602	12.00"
1201150042	803N602-030	3M (9 FT 10 IN)

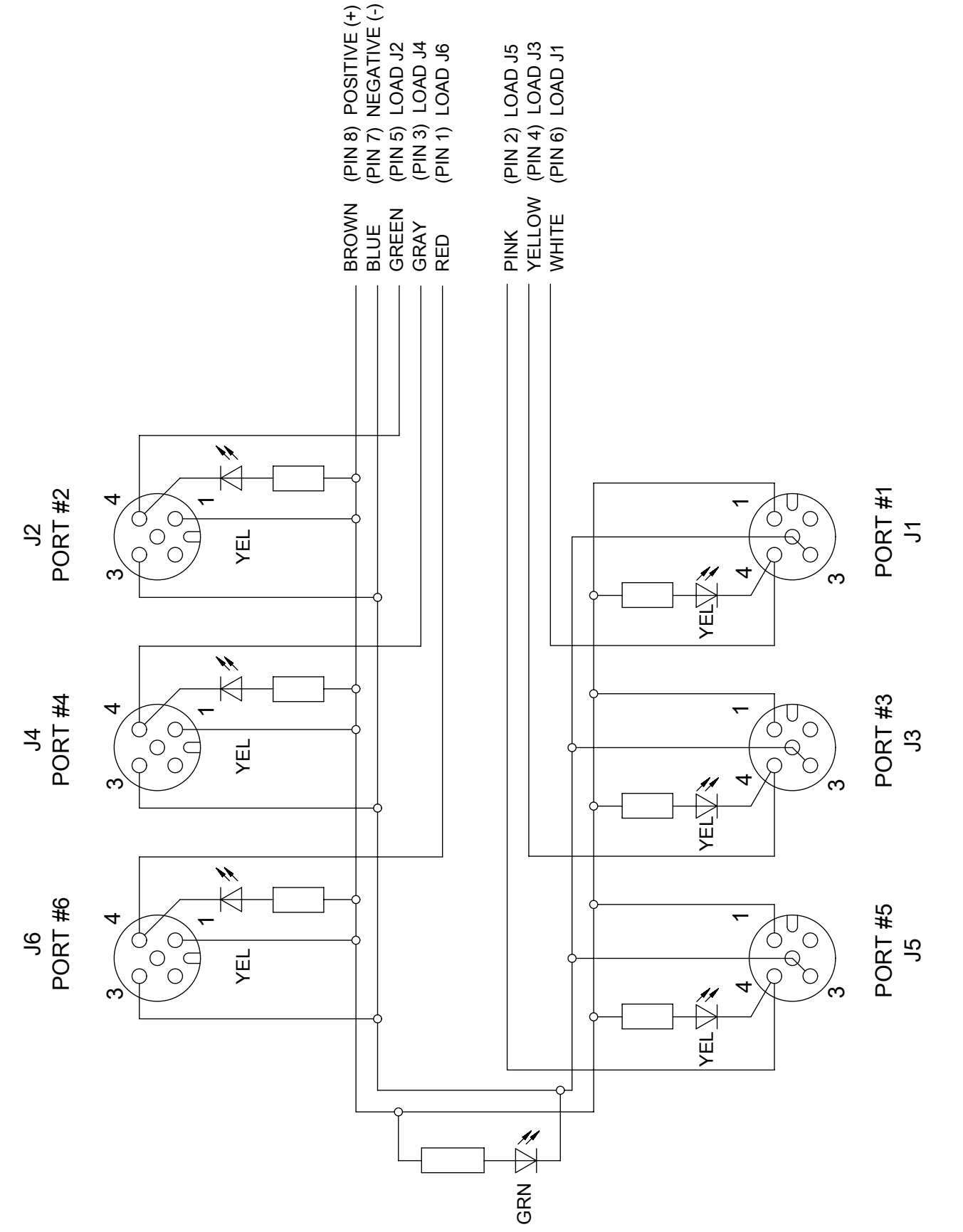
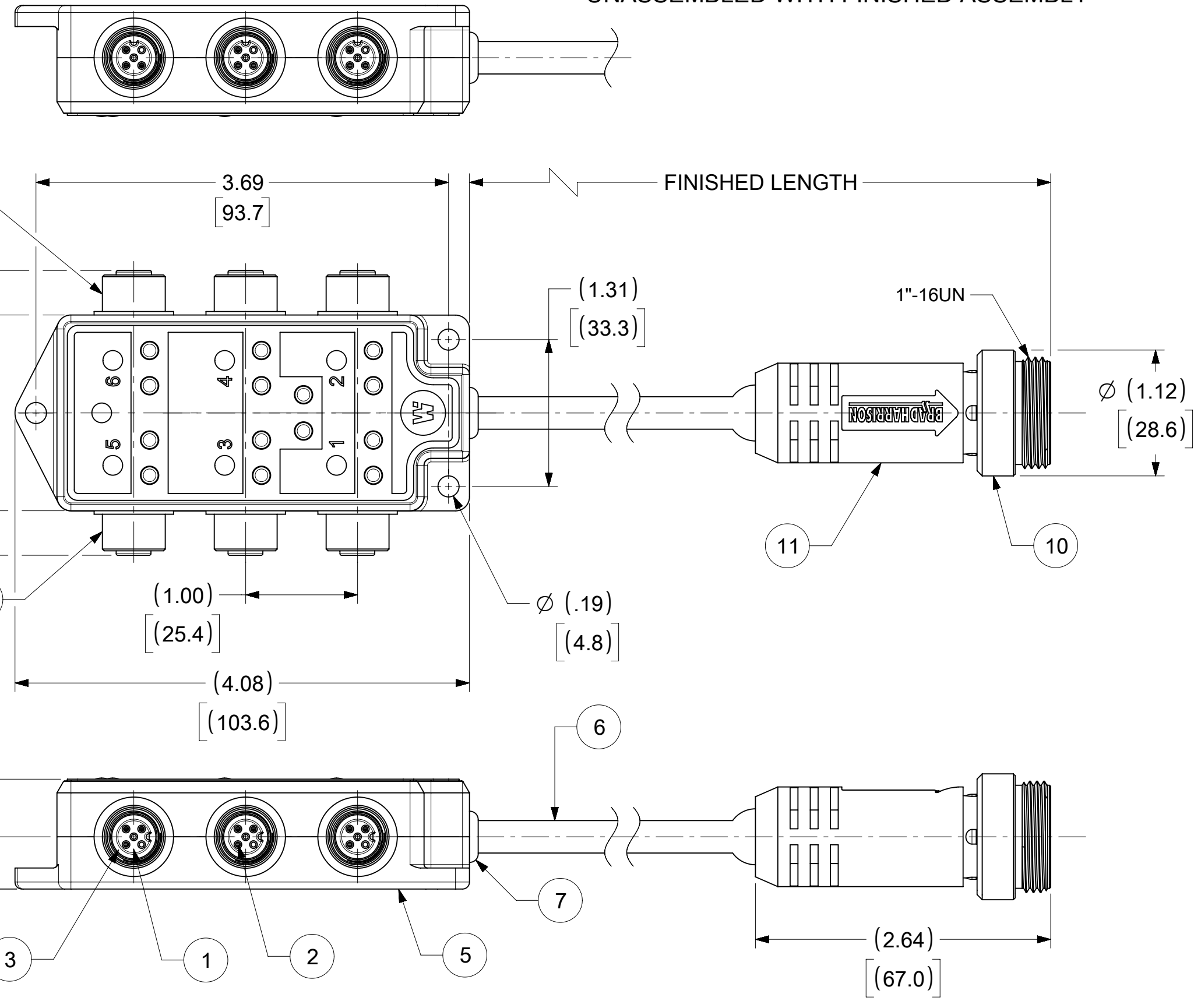
LENGTH: BLANK = 12IN  
 -02 = 2M  
 -06 = 6M  
 -10 = 10M  
 CAT # 803N602-XX

DUST PROTECTOR	BLANKING PLUG	MPIS ID LABEL
		
1201160026 (70-1710)	1203090067 (BG12103)	1203080681 (BG12490)

PARTS NOTED ABOVE ARE PACKED UNASSEMBLED WITH FINISHED ASSEMBLY



- NOTES:
1. MATERIAL: AS NOTED
  2. FINISH: AS NOTED
  3. ELECTRICAL:  
VOLTAGE RATING: 10-30 VDC  
CURRENT: 4A
  4. TEMP RATING: -20°C TO +80°C
  5. PROTECTION: IP67 (WHEN MATED)
  6. ALL DIMS ARE FOR REFERENCE UNLESS NOTED OTHERWISE.



WIRING SCHEMATIC

NOTE: KEYWAY ORIENTATION SHOWN IN WIRING SCHEMATIC DOES NOT REFLECT THE ACTUAL KEYWAY ON THE PRODUCT.

ITEM	DESCRIPTION	MATERIAL	FINISH
11	OVERMOLD	TPE	YELLOW
10	COUPLING NUT	ZINC DIE-CAST	BLACK E-COAT
9	CONTACT PIN	COPPER ALLOY	GOLD PLATED
8	INSERT	TPE	YELLOW
7	GROMMET	NITRILE	BLACK
6	CABLE	PVC JACKET	YELLOW
5	HOUSING, 8 PORT	NYLON	YELLOW
4	RECEPTACLE SHELL	ZINC DIE-CAST	BLACK E-COAT
3	O-RING	NITRILE	RED
2	CONTACT SOCKET	COPPER ALLOY	GOLD PLATED
1	INSERT	NYLON	BLACK

CABLE LENGTH TOLERANCES

<.3M [1FT]: +19mm-0 [+1.75in-0]
.3 - .9M [1 - 3FT]: +44.5mm-0 [+1.75in-0]
.9 - 1.8M [3 - 6FT]: +55.6mm-0 [+2.19in-0]
1.8 - 3.7M [6 - 12FT]: +88.9mm-0 [+3.50in-0]
3.7 - 7.3M [12 - 24FT]: +165.1mm-0 [+6.50in-0]
7.3-14.6M [24 - 48FT]: +317.5mm-0 [+12.50in-0]
14.6 - 30.5M [48-100FT]: +622.3mm-0 [+24.50in-0]
OVER 30M [100FT] +2% OF FINISHED LENGTH

FUNCTIONAL SYMBOLS	THIS DRAWING CONTAINS INFORMATION THAT IS PROPRIETARY TO MOLEX ELECTRONIC TECHNOLOGIES, LLC AND SHOULD NOT BE USED WITHOUT WRITTEN PERMISSION	
	DIMENSION UNITS	SCALE
$\frac{F}{A} = 0$	INCH[MM]	NTS
$\frac{F}{C} = 0$	GENERAL TOLERANCES (UNLESS SPECIFIED)	
$\frac{F}{P} = 0$		
DIVISIONAL SYMBOLS	MM	INCH
	4 PLACES	± ±
	3 PLACES	± ±
	2 PLACES	± ±
	1 PLACE	± ±
	0 PLACES	± ±
	ANGULAR TOL	± °
	DRAFT WHERE APPLICABLE MUST REMAIN WITHIN DIMENSIONS	
	THIRD ANGLE PROJECTION	
	DRAWING	SERIES
	C-SIZE	120115
CURRENT REV DESC: DOCUMENT WAS IN AUTOCAD - RECREATED IT IN NX. OVERMOLD AND INSERT WERE PVC. ADDED KEYWAY ORIENTATION NOTE AND LABEL VIEW.		
EC NO: 747740		
DRWN: VASUTHKARP	2023/05/02	
CHK'D: MBRZOZOWSKI	2023/05/03	
APPR: BWOODMAN	2023/05/03	
INITIAL REVISION:		
DRWN: ULETENMEIER	2018/06/25	
APPR: RSILLER	2018/06/26	
MATERIAL NUMBER		CUSTOMER
1201150041		GENERAL MARKET
DOC TYPE		DOC PART
PSD		000
REVISION		B1
SHEET NUMBER		1 OF 1