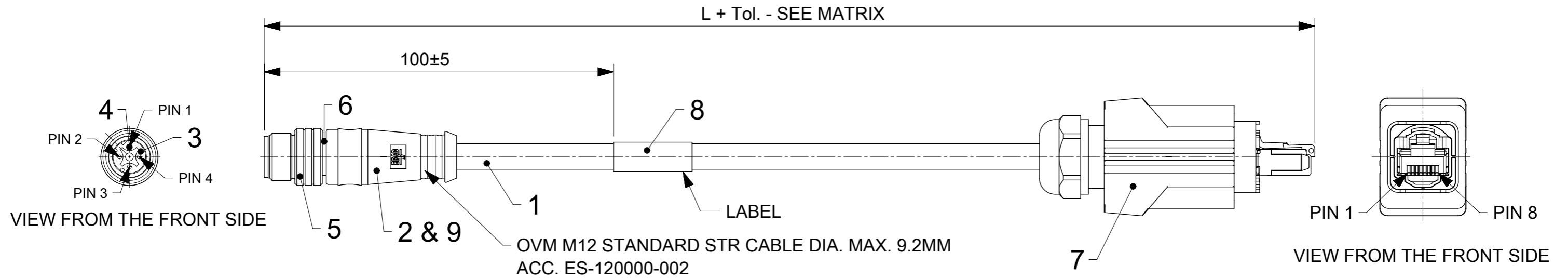
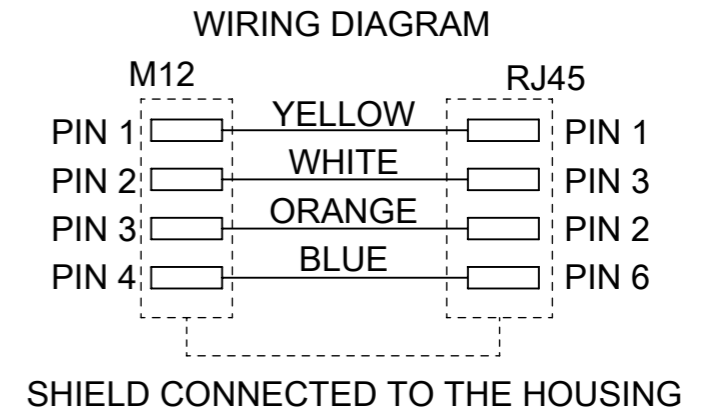
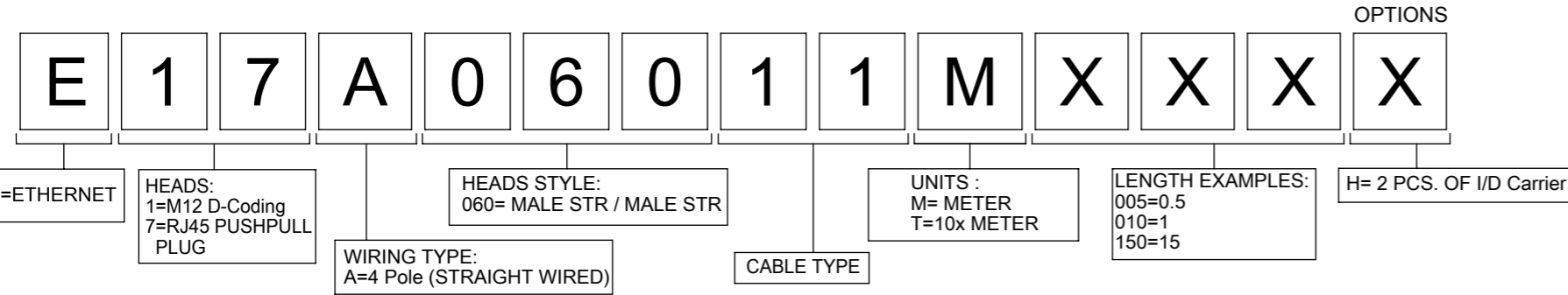


# PART No MATRIX



## NOTES:

- MATERIAL : SEE TABLE
- FINISHES : SEE TABLE
- CABLE : #22x2x2 SHIELDED PUR
- ELECTRICAL DATA:  
ACCORDING TO ETHERNET STANDARD  
MAX. VOLTAGE : 30V  
MAX. CURRENT : 1.5A
- ENVIRONMENTAL :  
PROTECTION CLASS RJ45 : IP20  
PROTECTION CLASS M12 : IP67 in mated and locked position  
OPERATING TEMPERATURE : -25°C TO +85°C
- WRAP LABEL IS MARKED WITH P/N DATE CODE, VOLTAGE & AMPERAGE.
- ASSEMBLY IS RoHS COMPLIANT.

## BOM

ITEM	QTY	DESCRIPTION	MATERIAL	FINISH/COLOR
8	1	LABEL WRAP	VINYL	YELLOW
7	1	RJ45 Push Pull Plug Connector	-	-
6	1	M12 SHIELD SLEEVE	BRASS	NICKEL PLATED
5	1	COUPLING NUT M12 MA	BRASS	NICKEL PLATED
4	4	CONTACT 10 MA	BRONZE	GOLD OVER NICKEL PLATED
3	1	INSERT M12 MA 4P DC	PUR	BLACK
2	-	MOULDING MATERIAL	TPU	BLACK
1	-	CABLE 2x2x22AWG	PUR	GREEN

LENGTH	TOLERANCE
0m-1m	+40 mm
>1m-5m	+60 mm
>5m-10m	+80 mm
>10m-20m	+140 mm
>20m-30m	+160 mm
>30m	+1% length

THIS DRAWING CONTAINS INFORMATION THAT IS PROPRIETARY TO MOLEX ELECTRONIC TECHNOLOGIES, LLC AND SHOULD NOT BE USED WITHOUT WRITTEN PERMISSION

FUNCTIONAL SYMBOLS:  $\nabla/\bar{A} = 0$ ,  $\nabla/\bar{E} = 0$ ,  $\nabla/\bar{V} = 0$

DIVISIONAL SYMBOLS

THIS DRAWING CONTAINS INFORMATION THAT IS PROPRIETARY TO MOLEX ELECTRONIC TECHNOLOGIES, LLC AND SHOULD NOT BE USED WITHOUT WRITTEN PERMISSION

CURRENT REV DESC: CABLE AND STDS UPDATED

EC NO: 672185  
 DRWN: MDHARMANTI 2021/07/22  
 CHK'D: RSILLER 2021/09/20  
 APPR: RSILLER 2021/09/20

INITIAL REVISION:  
 DRWN: MDHARMANTI 2021/07/22  
 APPR: RSILLER 2021/09/20

THIRD ANGLE PROJECTION

DRAFT WHERE APPLICABLE MUST REMAIN WITHIN DIMENSIONS

SCALE: 1:1

GENERAL TOLERANCES (UNLESS SPECIFIED)

4 PLACES	±
3 PLACES	±
2 PLACES	± 0.13
1 PLACE	± 0.25
0 PLACES	±

ANGULAR TOL ± 0.5°

**molex**

M12-4P(D)-MM-ST/PUSHPULL RJ XM

PRODUCT CUSTOMER DRAWING

DOCUMENT NUMBER: 1201080204  
 DOC TYPE: PSD  
 DOC PART: 000  
 REVISION: A

MATERIAL NUMBER: SEE MATRIX  
 CUSTOMER: GENERAL MARKET  
 SHEET NUMBER: 1 OF 2

PHYSICAL CHARACTERISTICS:	
CONDUCTOR PAIR SIZE	#22 (7 X #30) BARE COPPER ALLOY
WIRE CROSS SECTION	0.34mm <sup>2</sup> (NOM.)
INSULATION TYPE	POLYOLEFIN INSULATION
FOIL SHIELD	PLASTIC/ALUMINIUM FOIL WITH FOIL OUT
BRAID SHIELD	TINNED COPPER BRAID WITH MIN. 85% COVERAGE
OUTSIDE DIAMETER	∅ 6.8mm (.267")
JACKET INSULATION	GREEN PUR
PROFINET CABLE STYLE	TYPE C

MECHANICAL CHARACTERISTICS FOR C-TRACK APPLICATIONS:	
MIN. BENDING RADIUS	15xCABLE DIAMETER
OPERATING WAY	5M OF TRAVEL
SPEED	200M/min.
MAX. C-TRACK CYCLES	5 MILLION
ACCELERATION	MAX. 2m/s

ENVIRONMENTAL CHARACTERISTICS:	
FLAME RESISTANCE	FT2
AGENCY CERTIFICATIONS	UL AND USA
OPERATION TEMPERATURE	-20°C TO 60°C
STORAGE TEMPERATURE	-40°C TO 80°C
HALOGEN FREE	IEC 60754-1
SILICONE FREE	YES
CFC-FREE	YES

IMPRINT: x N x 2x2xAWG 22/7-9H(ST)C11Y INDUSTRIAL ETHERNET  
 PROFINET TYP C E48408 cULus AWM STYLE 20236  
 AWM I/II A/B 80C 30 V FT1

**PART LIST**

MOLEX PN	DESCRIPTION
1201080204	M12-4P(D)-MM-ST/PUSHPULL RJ 2M
1201080208	M12-4P(D)-MM-ST/PUSHPULL RJ 20M
1201080209	M12-4P(D)-MM-ST/PUSHPULL RJ 23M
1201080210	M12-4P(D)-MM-ST/PUSHPULL RJ 25M
1201080211	M12-4P(D)-MM-ST/PUSHPULL RJ 30M
1201080212	M12-4P(D)-MM-ST/PUSHPULL RJ 35M
1201080214	M12-4P(D)-MM-ST/PUSHPULL RJ 1M
1201080215	M12-4P(D)-MM-ST/PUSHPULL RJ .5M
1201080216	M12-4P(D)-MM-ST/PUSHPULL RJ 5M
1201080217	M12-4P(D)-MM-ST/PUSHPULL RJ 4M
1201080279	M12-4P(D)-MM-ST/PUSHPULL RJ 8M
1201080299	M12-4P(D)-MM ST/PUSH PULL RJ45 3M
1201088124	M12-4P(D)-MM-ST/PUSHPULL RJ 6M
1201088125	M12-4P(D)-MM-ST/PUSHPULL RJ 7M
1201088126	M12-4P(D)-MM-ST/PUSHPULL RJ 9M
1201088127	M12-4P(D)-MM-ST/PUSHPULL RJ 15M
1201088656	M12-4P(D)-MM-ST/PUSHPULL RJ 10M

FUNCTIONAL SYMBOLS	THIS DRAWING CONTAINS INFORMATION THAT IS PROPRIETARY TO MOLEX ELECTRONIC TECHNOLOGIES, LLC AND SHOULD NOT BE USED WITHOUT WRITTEN PERMISSION		CURRENT REV DESC: CABLE AND STDS UPDATED		<b>molex</b>
	∇/A = 0	DIMENSION UNITS: mm	SCALE: 1:1	EC NO: 672185	
∇/E = 0	GENERAL TOLERANCES (UNLESS SPECIFIED)		DRWN: MDHARMANTI 2021/07/22	M12-4P(D)-MM-ST/PUSHPULL RJ XM	
∇/P = 0	ANGULAR TOL ± 0.5°		CHK'D: RSILLER 2021/09/20		
DIVISIONAL SYMBOLS	4 PLACES ±		APPR: RSILLER 2021/09/20	PRODUCT CUSTOMER DRAWING	
	3 PLACES ±		INITIAL REVISION:	DOCUMENT NUMBER	
	2 PLACES ± 0.13		DRWN: MDHARMANTI 2021/07/22	1201080204	
	1 PLACE ± 0.25		APPR: RSILLER 2021/09/20	PSD 000 A	
0 PLACES ±		DRAFT WHERE APPLICABLE MUST REMAIN WITHIN DIMENSIONS	THIRD ANGLE PROJECTION	DRAWING: A3-SIZE	SHEET NUMBER: 2 OF 2