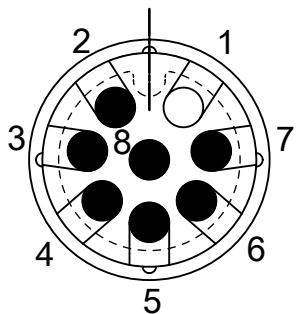
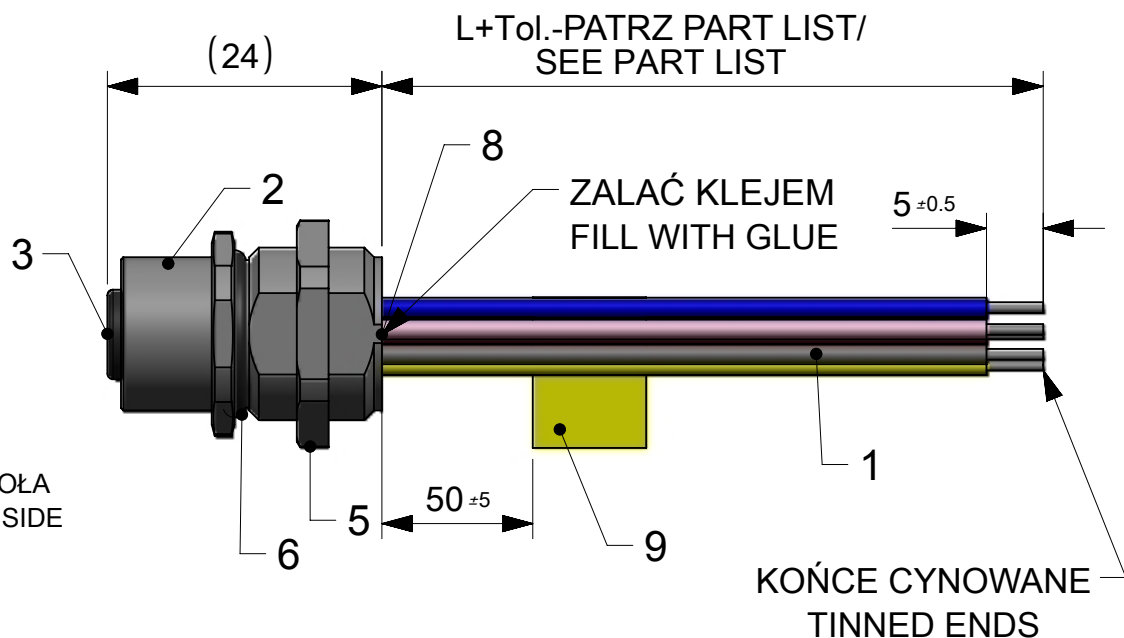
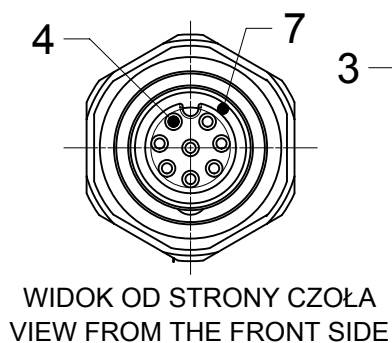


M12 8 POLE ŻEŃSKI / FEMALE



WIDOK OD STRONY DRUTÓW
VIEW FROM THE WIRES SIDE

PIN	KOLOR PRZEWODU	WIRE COLOR
1	BIAŁY	WH
2	BRAZOWY	BN
3	ZIELONY	GN
4	ŻÓŁTY	YE
5	SZARY	GY
6	RÓŻOWY	PK
7	NIEBIESKI	BU
8	CZERWONY	RD



UWAGA:
1. BOM, PART LIST & MATRIX NA DRUGIEJ STRONIE

NOTE:
1. BOM, PART LIST & MATRIX ON SECOND SHEET

SYMBOLS										THIS DRAWING CONTAINS INFORMATION THAT IS PROPRIETARY TO MOLEX ELECTRONIC TECHNOLOGIES, LLC AND SHOULD NOT BE USED WITHOUT WRITTEN PERMISSION									
DIMENSION UNITS		SCALE		CURRENT REV DESC:				molex											
∇ = 0	mm	1.5:1	EC NO: 617581				MMC-8P-REC-FE-PG9-XM-CEI												
∇ = 0	GENERAL TOLERANCES (UNLESS SPECIFIED)		DRWN: MKOWALCZYK01 2019/05/20																
∇ = 0	ANGULAR TOL ± °		CHK'D: DSTACHOWIAK 2019/05/21				PRODUCT DESIGN DRAWING												
∇ = 0	4 PLACES ±		APPR: DSTACHOWIAK 2019/05/21																
∇ = 0	3 PLACES ±		INITIAL REVISION:				DOCUMENT NUMBER		DOC TYPE		DOC PART		REVISION						
∇ = 0	2 PLACES ± 0.05		DRWN: MKOWALCZYK01 2019/05/20				1200110331		PDD		00P		A						
∇ = 0	1 PLACE ± 0.3		APPR: DSTACHOWIAK 2019/05/21				MATERIAL NUMBER		CUSTOMER		SHEET NUMBER								
∇ = 0	0 PLACES ± 0.5		DRAFT WHERE APPLICABLE MUST REMAIN WITHIN DIMENSIONS		THIRD ANGLE PROJECTION		DRAWING		SERIES		SEE SHEET 2		GENERAL MARKET		1 OF 2				
∇ = 0							A4-SIZE		120011										

KLUCZ / PART No MATRIX

8 R 8 J 3 0 E 0 3 X X X X X

8R = Micro-Change Receptacle

Poles:
8 = 8 Poles

Konfiguracja:
Heads style:
J30 = Żeński kontakt
Żeński gwint M12/
PG9 Gwint montujący
Female contact,
Female thread M12
PG9 Mounting Thread

Kabel: Patrz TABELA 1
Cable: See TABLE 1

Jednostka:
Units:
M = Metr/
Meter
C = Centymetr
Centimeter

Przykłady
Długości:
Length
Examples:
005 = 0.5
010 = 1
300 = 30

Nakrętka/
Nut material:
3= Brass Nickel
Plated (Standard)
1=Stainless steel

TABELA 1 / TABLE 1

MOLEX PN	CABLE TYPE	AWG	COLOR
1202098145	E03	22	BN
1202098163	E03	22	WH
1202098146	E03	22	BU
1202098148	E03	22	GN
1202098151	E03	22	GY
1202098165	E03	22	YE
1202098153	E03	22	PK
1202098158	E03	22	RD


BOM

9	1	1302280252	LABEL WRAP	VINYL	YELLOW
8	-	1203123115	POTTING MATERIAL	WEVO	-
		1203123114			
7	1	1202040002	GASKET	FPM	RED
6	1	1202040009	O-RING	NBR	BLACK
5	1	1203290012	LOCKNUT PG9	BRASS	NICKEL PLATED
4	8	1202060021	CONTACT 8 FE	BRASS	GOLD OVER NICKEL PLATED
3	1	1202080157	INSERT M12 8P FE	PUR	BLACK
2	1	1203020089	REC SHELL M12(FE)xPG9(M)	BRASS	NICKEL PLATED
1	-	SEE TABLE 1	WIRES	PVC	SEE TABLE 1
ITEM	QTY	MOLEX PN	DESCRIPTION	MATERIAL	FINISH/MATERIAL

PART LIST

MOLEX PN	ENGINEERING NO	L+Tol.[mm]
1200110331	8R8J30E03C5003	500 +45
1200700262	8R8J30E03C3001	300 +19
1200700263	8R8J30E03C3003	300 +19
1200700264	8R8J30E03M0203	2000 +89
1200700356	8R8J30E03M0103	1000 +56
1200700399	8R8J30E03M0303	3000 +89
1200708086	8R8J30E03M0153	1500 +56

DOCUMENT STATUS	P1	RELEASE DATE	2019/05/21	07:52:34
-----------------	----	--------------	------------	----------

SYMBOLS THIS DRAWING CONTAINS INFORMATION THAT IS PROPRIETARY TO MOLEX ELECTRONIC TECHNOLOGIES, LLC AND SHOULD NOT BE USED WITHOUT WRITTEN PERMISSION DIMENSION UNITS: mm SCALE: 1:1 GENERAL TOLERANCES (UNLESS SPECIFIED) ANGULAR TOL: ± ° 4 PLACES ± 3 PLACES ± 2 PLACES ± 0.05 1 PLACE ± 0.3 0 PLACES ± 0.5 DRAFT WHERE APPLICABLE MUST REMAIN WITHIN DIMENSIONS THIRD ANGLE PROJECTION DRAWING SERIES A4-SIZE 120011	CURRENT REV DESC: EC NO: 617581 DRWN: MKOWALCZYK01 2019/05/20 CHK'D: DSTACHOWIAK 2019/05/21 APPR: DSTACHOWIAK 2019/05/21 INITIAL REVISION: DRWN: MKOWALCZYK01 2019/05/20 APPR: DSTACHOWIAK 2019/05/21		 MMC-8P-REC-FE-PG9-XM-CEI		
	PRODUCT DESIGN DRAWING DOCUMENT NUMBER: 1200110331 DOC TYPE: PDD DOC PART: 00P REVISION: A			MATERIAL NUMBER: SEE PART LIST CUSTOMER: GENERAL MARKET SHEET NUMBER: 2 OF 2	