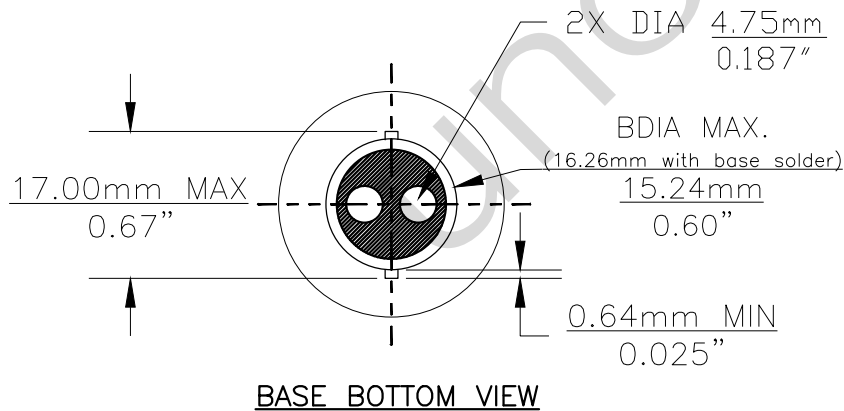
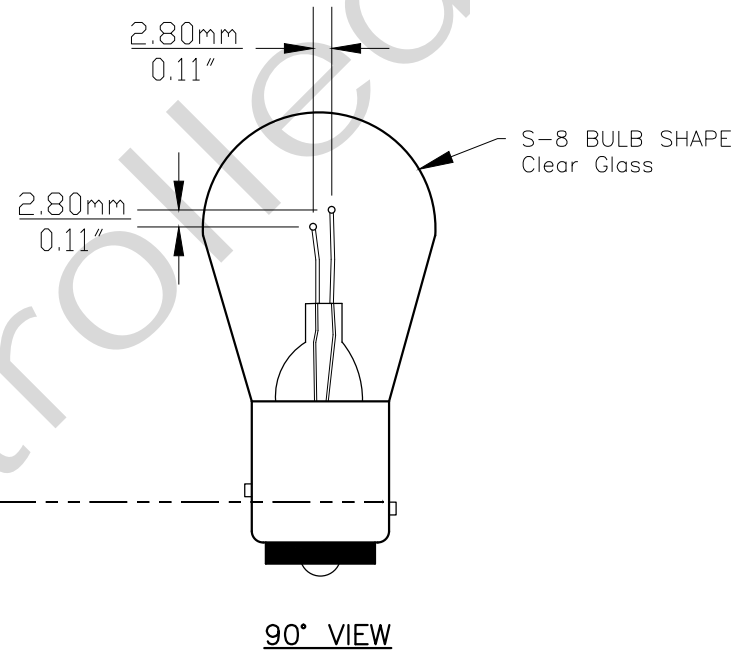
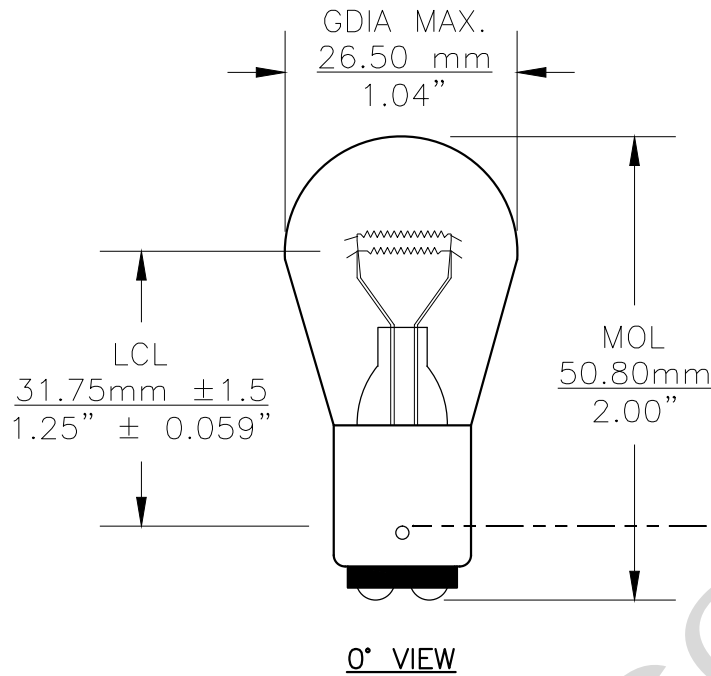




PART NO.	BASE TYPE	DESIGN VOLTS	DESIGN AMPS	MSCD	FILAMENT TYPE	AVERAGE LIFE HOURS	REVISIONS			
							REV #	DESCRIPTION	DATE	APPROVED
1157	D.C. INDEX BAY15d	12.8V 14.0V	2.1±5% 0.59±8%	32±10% 3±12%	C-6 C-6	1200 5000	1	REMOVED TOP VIEW, ADDED DIMENSIONS, EDITED LIFE HOURS	02/15/2005	D.C.
							2	UPDATED LIFE HOURS	06/07/2005	D.C.
							3	LEAD FREE	06/04/2007	D.C.



Note: Made according to SAE specifications

UNLESS OTHERWISE SPECIFIED: DIMENSIONS ARE IN INCHES TOLERANCES		CEC INDUSTRIES LTD			
DECIMALS	ANGULAR	599 BOND STREET		LINCOLNSHIRE, IL 60069	
.XX ± .05	± 0.5°	TITLE LIGHT BULB NO. 1157			
.XXX ± .010		SIZE A	FSCM NO.	DWG NO. 1157	REV 3
FRACTIONAL	±1/64	DESIGN	SCALE	PLOT SCALE	SHEET 1 OF 1
DRAWN SIDNEY LIU DATE 06/12/2001		MATERIAL FILE 1157.pdf DRAWING NOT TO SCALE			