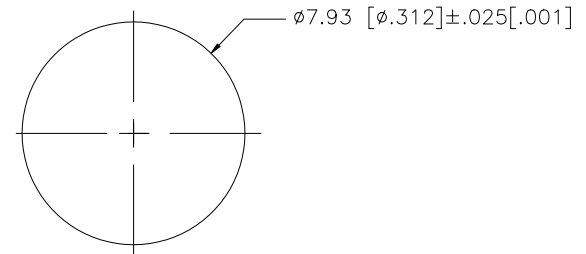
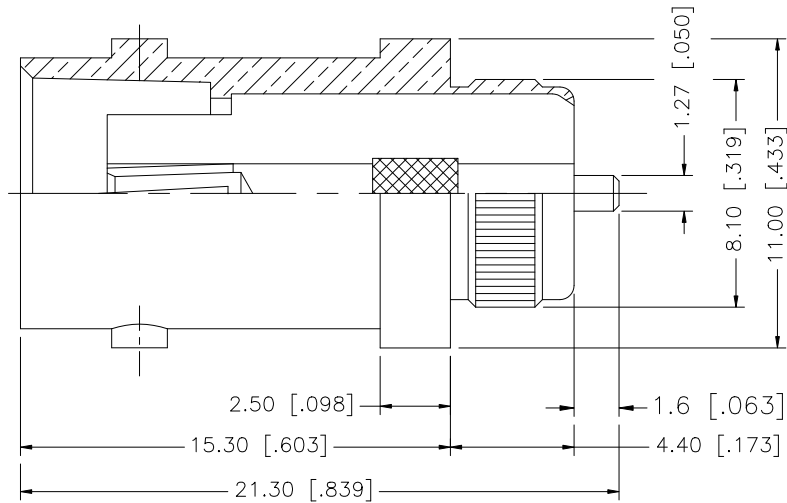


REV.	DATE	ECR NO.	DESCRIPTION
NC	11/19/98	-	INITIAL RELEASE
A	03/09/09	-	UPDATE DRAWING FORMAT



RECOMMENDED
MOUNTING HOLE

REFERENCE NO: 59555

				UNLESS OTHERWISE SPECIFIED DIMENSIONS ARE IN MILLIMETERS. DIMENSIONS IN [] ARE IN INCHES AND FOR CUSTOMER REFERENCE ONLY.	APPROVALS	DATE	Amphenol Connex				
8				UNLESS OTHERWISE SPECIFIED TOLERANCES FOR MILLIMETERS ARE: 0.5 - 8mm ± 0.20mm 8 - 30mm ± 0.40mm 30 - 120mm ± 0.50mm UNLESS OTHERWISE SPECIFIED TOLERANCES FOR INCHES ARE: .020 - .315 = ± 0.007" .315 - 1.180 = ± 0.015" 1.180 - 4.724 = ± 0.020"	DRAWN	GRS					03/09/09
7					CHECKED			PART NO. 112607			
6					ISSUED						
5					SHEET	1 OF 1		REV. A	SIZE A	SCALE NA	
4							DO NOT SCALE DRAWING				
3	CONTACT PIN	PHOS. BRONZE	GOLD	1							
2	INSULATOR	PTFE	NATURAL	1							
1	BODY	BRASS	NICKEL	1							
	DESCRIPTION	MATERIAL	FINISH	QTY		CAD FILE	C:/112/112607.DWG				