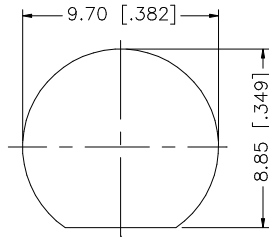
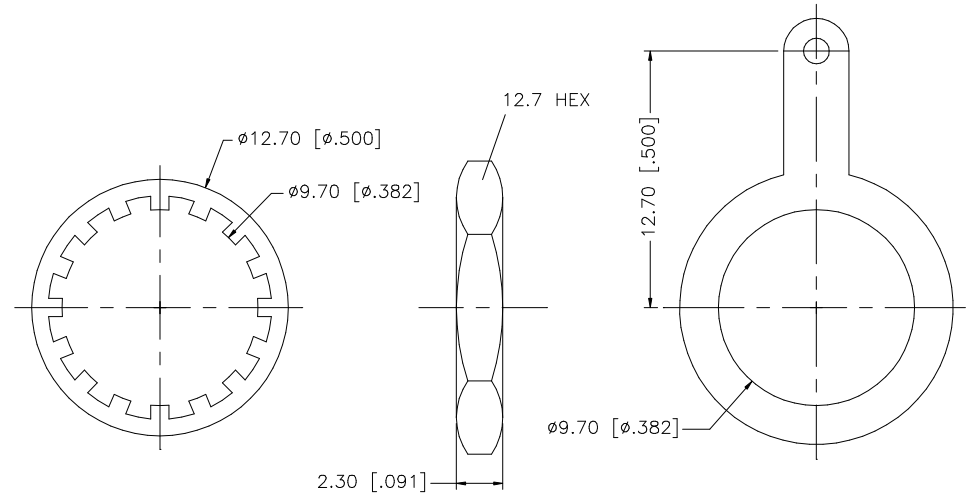
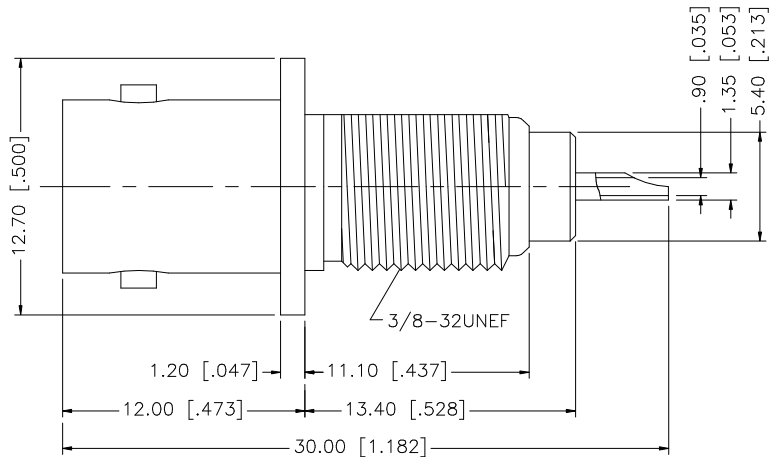


REV.	DATE	DESCRIPTION
NC	03/20/07	INITIAL RELEASE



RECOMMENDED MOUNTING HOLE



8				
7				
6	SOLDER TAB	BRASS	NICKEL	1
5	HEX NUT	BRASS	NICKEL	1
4	LOCK WASHER	BRASS	NICKEL	1
3	CONTACT PIN	PHOS. BRONZE	GOLD	1
2	INSULATOR	DELTRIN	NATURAL	1
1	BODY	BRASS	NICKEL	1
	DESCRIPTION	MATERIAL	FINISH	QTY

UNLESS OTHERWISE SPECIFIED DIMENSIONS ARE IN MILLIMETERS. DIMENSIONS IN [] ARE IN INCHES AND FOR CUSTOMER REFERENCE ONLY.

UNLESS OTHERWISE SPECIFIED TOLERANCES FOR MILLIMETERS ARE:
0.5 - 8mm ± 0.20mm
8 - 30mm ± 0.40mm
30 - 120mm ± 0.50mm

UNLESS OTHERWISE SPECIFIED TOLERANCES FOR INCHES ARE:
.020 - .315 = ± 0.007"
.315 - 1.180 = ± 0.015"
1.180 - 4.724 = ± 0.020"

DO NOT SCALE DRAWING

APPROVALS	DATE
DRAWN G.R.S.	03/20/07
CHECKED	
ISSUED	
SHEET 1 OF 1	
CAD FILE	C:/112/112427.DWG

Amphenol Connex			
PART DESCRIPTION BNC BULKHEAD RECEPTACLE JACK			
-			
PART NO. 112427			
DWG. NO.	112427.DWG	REV. NC	SCALE NA