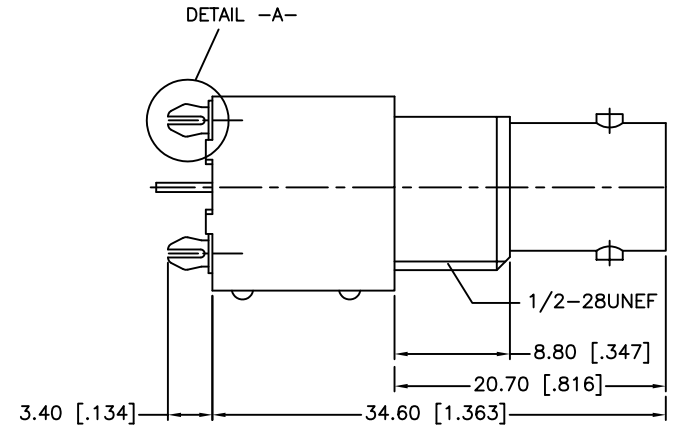
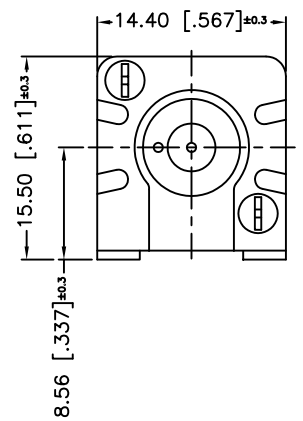
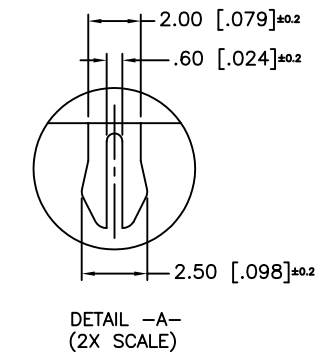
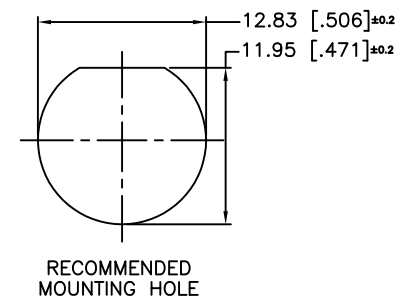
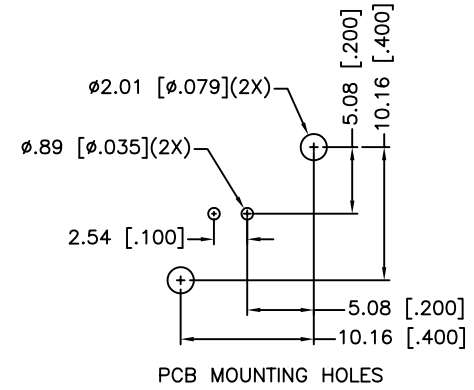


| REV. | DATE | ECR NO | DESCRIPTION |
|------|----------|--------|--|
| A | 02/24/04 | -- | UPDATE DRAWING FORMAT/MODIFY MOUNT POSTS |
| B | 02/01/10 | 2012 | HARDWARES REMOVED |



NOTE:
1. MAX. PANEL THICKNESS = 5mm

| DESCRIPTION | MATERIAL | FINISH | QTY | UNLESS OTHERWISE SPECIFIED DIMENSIONS ARE IN MILLIMETERS. DIMENSIONS IN [] ARE IN INCHES AND FOR CUSTOMER REFERENCE ONLY. | APPROVALS | DATE | Amphenol Connex | | | | |
|-------------|---------------|--------------|---------|--|--|--|-----------------|------------------|--|--|--|
| 5 | MOUNTING POST | BRASS | NICKEL | 1 | UNLESS OTHERWISE SPECIFIED TOLERANCES FOR MILLIMETERS ARE: 0.5 - 8mm ± 0.20mm 8 - 30mm ± 0.40mm 30 - 120mm ± 0.50mm UNLESS OTHERWISE SPECIFIED TOLERANCES FOR INCHES ARE: .020 - .315 = ± 0.007" .315 - 1.180 = ± 0.015" 1.180 - 4.724 = ± 0.020" DO NOT SCALE DRAWING | DRAWN CLEMENT CHECKED ISSUED SHEET 1 OF 1 CAD FILE C:/112/112409.DWG | 02/01/10 | PART DESCRIPTION | | | |
| 4 | CONTACT PIN | PHOS. BRONZE | GOLD | 1 | | BNC STRAIGHT PC MOUNT RECEPT. JACK | | | | | |
| 3 | INSULATOR | P.P. | NATURAL | 1 | | PART NO. | | | | | |
| 2 | BODY | ZINC DIECAST | NICKEL | 1 | | 112409 | | | | | |
| 1 | HOUSING | P.P. | WHITE | 1 | | DWG. NO. 112409.DWG | | | | | |
| | | | | | REV. B | SIZE A | SCALE NA | | | | |