

Lighting Controls

DATE: _____ LOCATION: _____

TYPE: _____ PROJECT: _____

CATALOG #: _____

LIGHTHAWK NIGHT LIGHT PASSIVE INFRARED WALL SWITCH SENSOR

WALL SWITCH OCCUPANCY SENSORS

FEATURES

- Digital passive infrared (PIR) sensor
- IntelliDAPT® self-adaptive technology - no manual adjustment required
- Single relay model for on/off switching
- Occupancy (Auto-ON) and Vacancy (Manual-ON) operating modes
- Night light mounted under lens
- RhinoTuff™ vandal resistant lens
- Zero Arc Point Switching
- 120/277VAC and 347VAC models



SPECIFICATIONS

CONSTRUCTION

- Casing- high- impact injection-molded plastic (UL-94-5V)
- Impact-resistant lens
- Color-coded leads are 6" (152.4mm) long
- Wrap-around galvanized steel mounting strap
- 4.2" H x 1.8" W x 1.75" D; .37" extension (106.69mm H x 44.45mm D; 9.40mm extension)
- 2.9 oz. (82.21g)
- White
- Dual-element pyrometer and 12-element cylindrical RhinoTuff lens

MOUNTING

- Single-gang NEMA-style switch box (standard switch box)
- Decorator-style wall plate sold separately

ELECTRICAL

- 120/277VAC; 50/60Hz
- 347VAC; 50/60Hz

ELECTRICAL CONTINUED

- 24VDC (requires UVPP)
- 120VAC: 800W Incandescent/Electronic Ballast/LED Driver: 1,000W Magnetic Ballast, 1/6 HP Motor
- 277VAC: 1,800W Magnetic Ballast/Electronic Ballast/LED Driver: 1/6 HP Motor
- 347VAC: 1,500W Magnetic Ballast/Electronic Ballast/LED Driver: 1/6 HP Motor

OPERATION

- IntelliDAPT
 - Self-adjusting timer
 - Self-adjusting Ultrasonic (US) and passive infrared (PIR) sensitivity
 - Automatic false-on/false-off corrections
 - No manual adjustments required
- Coverage
 - 1,000 square-foot, 180° coverage area
 - Natural light override range: 10-500 foot-candles

OPERATION CONTINUED

- Timer Settings
 - Auto mode: 4-30 minutes; self-adjusts based on occupancy
 - Fixed mode: 4, 8, 15 and 30 minutes
 - Test mode: 5 seconds

OPERATING ENVIRONMENT

- Indoor use only
- Operating temperature: 32° to 104°F (0° to 40°C)
- Relative humidity (non-condensing): 0% to 95%

CERTIFICATIONS

- UL and cUL listed
- California Title 24 compliant

WARRANTY

- 5 year warranty

ORDERING GUIDE

Example: LHN-IRS1-N-WH

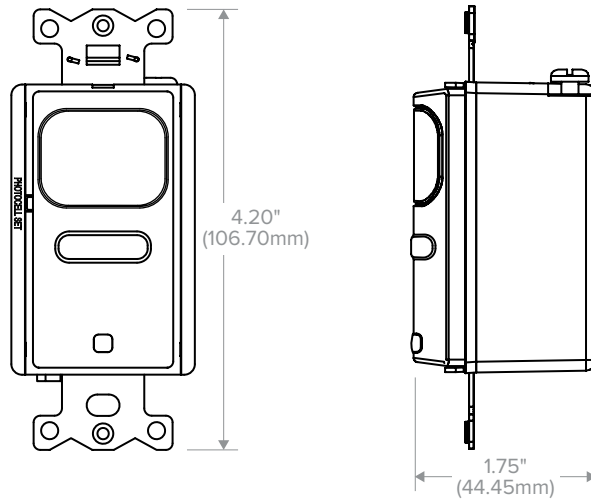
CATALOG #

Model	Buttons	Wiring	Color	Mode
LHN-IRS LightHAWK Night Light Passive Infrared Single Relay	1	N Neutral (120/277V)	WH White	Blank Switchable Vacancy or Occupancy Mode

Lighting Controls

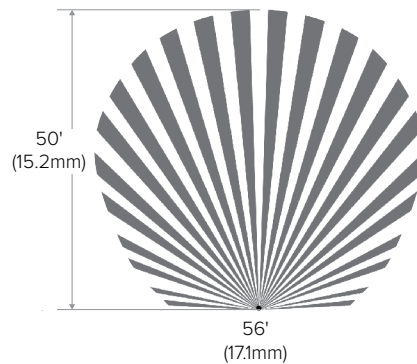
LIGHTHAWK NIGHT LIGHT PASSIVE INFRARED WALL SWITCH SENSOR WALL SWITCH OCCUPANCY SENSORS

DIMENSIONS



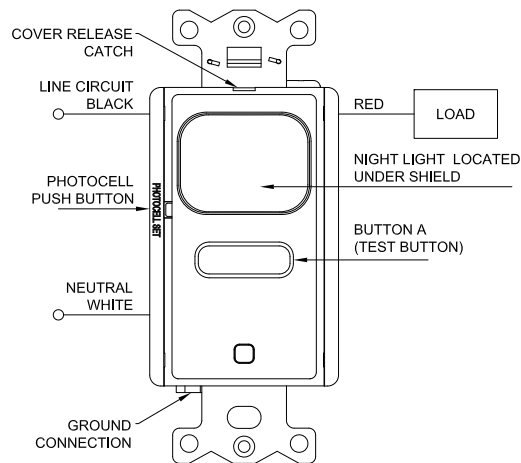
ADDITIONAL INFORMATION

Coverage Pattern



IR Motion

Wiring Diagram



Single Load Wiring