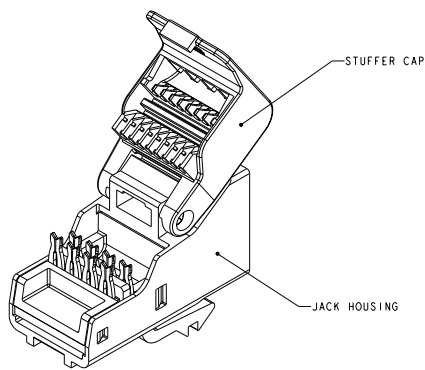
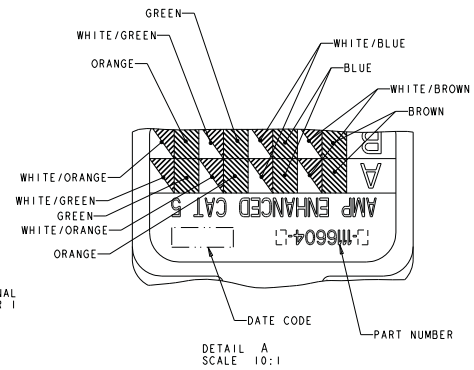
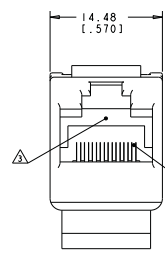
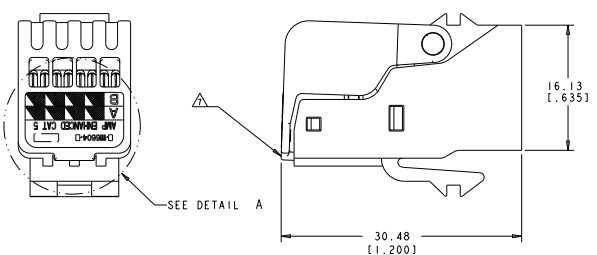


REV	DATE	DESCRIPTION	BY	CHKD	APPD
F1		REVISED PER ECO-11-005027			



OPEN POSITION



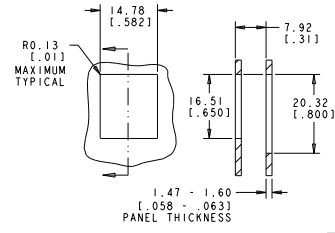
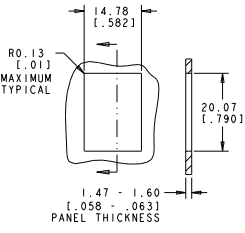
- △ MATERIAL: JACK HOUSING - POLYPHENYLENE OXIDE, 94V-0 RATED.
 TERMINAL BLOCK - POLYPHENYLENE OXIDE, 94V-0 RATED.
 STUFFER CAP - POLYCARBONATE, CLEAR, 94V-0 RATED.
 JACK CONTACTS - PHOSPHOROUS BRONZE, PLATED WITH
 1.27um (.000050) MINIMUM THICK GOLD IN LOCALIZED
 AREA AND 3.81um (.000150) MINIMUM THICK MATTE TIN IN
 SOLDER AREA OVER 1.27um (.000050) MINIMUM THICK
 NICKEL UNDERPLATE.
- 2. TOOLLESS WILL TERMINATE 22-24 AWG SOLID CONDUCTORS AND 24 AWG
 STRANDED CONDUCTORS, 1.14 (.045) MAXIMUM INSULATION DIAMETER.
- △ CAVITY CONFORMS TO FCC RULES AND REGULATIONS
 PART 68 SUBPART F REQUIREMENTS.
- 4. MOUNTING PANEL THICKNESS 1.473 - 1.600 (.058 - .063).
- △ THESE TWO SUGGESTED CUTOUT OPENINGS ARE USED
 IN TANDEM WITH DUAL FRONT AND BACK CUTOUTS.
- △ ONE MODULAR JACK ASSEMBLY PER POLYBAG.
- △ ASSEMBLY SHIPPED WITH STUFFER CAP NOT LATCHED
 AT REAR OF HOUSING ASSEMBLY AS SHOWN.

COLOR CODE	IDC TERMINAL	MODULAR JACK	
WHITE/BLUE	1	5	
BLUE	2	4	
WHITE/ORANGE	3	3	
ORANGE	4	2	
WHITE/GREEN	5	1	
GREEN	6	2	
WHITE/BROWN	7	7	
BROWN	8	8	

ELECTRICAL SCHEMATIC T568A

COLOR CODE	IDC TERMINAL	MODULAR JACK	
WHITE/BLUE	1	5	
BLUE	2	4	
WHITE/ORANGE	3	1	
ORANGE	4	2	
WHITE/GREEN	5	3	
GREEN	6	6	
WHITE/BROWN	7	7	
BROWN	8	8	

ELECTRICAL SCHEMATIC T568B



PACKAGE	HOUSING COLOR	PART NUMBER
	ELECTRIC IVORY	1-1116604-1
	VIOLET	1-1116604-0
	GREEN	1116604-9
	YELLOW	1116604-8
	RED	1116604-7
	BLUE	1116604-6
	ORANGE	1116604-5
	NEVA GRAY	1116604-4
	WHITE	1116604-3
	BLACK	1116604-2
	LIGHT ALMOND	1116604-1

THIS DRAWING IS A CONTROLLED DOCUMENT.

REV	DATE	BY	CHKD
00			

DATE CODE (DRAWING NO)
 A 00779

CUSTOMER DRAWING

TE Connectivity
 ASSEMBLY, TOOLLESS, CAT 5c,
 UNIVERSAL RJ45

SIZE: 1116604-1

SHEET 1 OF 1