

Lighting Controls

DATE: _____ LOCATION: _____

TYPE: _____ PROJECT: _____

CATALOG #: _____

LIGHTHAWK® DUAL TECHNOLOGY WALL SWITCH SENSOR

WALL SWITCH OCCUPANCY SENSORS

FEATURES

- Digital dual technology: Ultrasonic and Passive Infrared
- IntelliDAPT® self-adaptive technology; no manual adjustment required
- Single and dual relay models for on/off switching
- Occupancy (auto-ON) and Vacancy (manual-ON) operating modes
- 1,000 square-foot, 180° coverage area
- RhinoTuff™ lens
- 120/277VAC, 347VAC and 24VDC models
- Zero Arc Point Switching



RELATED PRODUCTS



SPECIFICATIONS

CONSTRUCTION

- Casing - high - impact injection - molded plastic (UL-94-5V Impact-resistance lens)
- Color-coded leads are 6" (152.4mm) long
- Wrap around galvanized steel mounting strap
- 2.9 oz. (82.21g)
- White; Ivory; Light Almond; Gray; Black
- Dual-element pyrometer and 12-element cylindrical RhinoTuff lens

MOUNTING

- Single-gang NEMA-style switch box (standard switch box)
- Decorator-style wall plate sold separately

ELECTRICAL

- 40kHz output
- Natural light override range: 10-500 foot-candles
- 120/277VAC; 50/60Hz
- 347VAC; 50/60Hz
- 24VDC (requires power pack - sold separately)
- 120VAC: 800W Incandescent/ Electronic Ballast/ LED Driver, 1,000W Magnetic Ballast, 1/8 HP Motor
- 277VAC: 1,800W Magnetic Ballast/ Electronic Ballast/ LED Driver: 1/8 HP Motor

ELECTRICAL (CONTINUED)

- 347VAC: 1,500W Magnetic Ballast/ Electronic Ballast/ LED Driver: 1/8 HP Motor

OPERATIONS

- IntelliDAPT
 - Self-adjusting timer
 - Self-adjusting Ultrasonic (US) and passive infrared (PIR) sensitivity
 - Automatic false-on/ false-off corrections
 - No manual adjustments required
- Coverage
 - 1,000 square-foot, 180° coverage area
- Timer Setting
 - Auto mode: 4-30 minutes; self-adjusts based on occupancy
 - Fixed mode: 4, 8, 15, and 30 minutes
 - Test mode: 5 seconds

OPERATING ENVIRONMENT

- Indoor use only
- Operating temperature: 32° to 104°F (0° to 40°C)
- Relative humidity (non-condensing): 0% to 95%

CERTIFICATIONS

- UL and cUL listed
- This product qualifies as both (i) a "domestic construction material" per FAR §52.225-9 Buy American-Construction Materials and a "(COTS) item" per FAR §2.101 and (ii) a "designated country construction material" per FAR 52.225-11 Buy American-Construction Materials under Trade Agreements effective 5/27/2020.
- This product qualifies as "designated country construction material" per FAR 52.225-11 Buy American-Construction Materials under Trade Agreements effective 5/27/2020.

WARRANTY

- 5 year warranty

Lighting Controls

LIGHTHAWK® DUAL TECHNOLOGY WALL SWITCH SENSOR

WALL SWITCH OCCUPANCY SENSORS

ORDERING GUIDE

Example: LHRMTS1-G-WH-U

CATALOG #

Series	Buttons	Wiring	Color	Mode*	BAA/TAA**
LHRMTS LightHAWK Dual Technology Single Relay	0 0	G Ground (120/277V) N Neutral (120/277V) 24V Low Voltage ³ G347 Ground (347V) ⁴ N347 Neutral (347V) ⁴	WH White ¹ IV Ivory ² LA Light Almond ² GY Gray ² BK Black ²	Blank Switchable Vacancy or Occupancy Mode M Vacancy Mode Only	Blank Standard Product U BAA T TAA
	1 1				

Example: LHRDCMTD2-G-WH

CATALOG #

Series	Buttons	Wiring	Color	Mode*	BAA/TAA**
LHRDCMTD LightHAWK Dual Technology Dual Relay	0 0	G Ground (120/277V) N Neutral (120/277V) G347 Ground (347V) ⁴	WH White ¹ IV Ivory ² LA Light Almond ² GY Gray ² BK Black ²	Blank Switchable Vacancy or Occupancy Mode M Vacancy Mode Only	Blank Standard Product T TAA
	2 2				

Example: LHRMTD2-24V-WH-T

CATALOG #

Series	Buttons	Wiring	Color	Mode*	BAA/TAA**
LHRMTD LightHAWK Dual Technology with (2) Low Voltage Outputs (24V Only)	0 0	24V Low Voltage ³	WH White ¹	Blank Switchable Vacancy or Occupancy Mode	Blank Standard Product T TAA
	2 2				

Notes:

- 1 All options available in white (WH)
 - 2 Please consult factory for color options other than white
 - 3 Low voltage sensors require a power pack that is sold separately
 - 4 347V options only available in white (WH)
- * Please see vacancy mode only options table below
 ** Please see Buy American Solutions table below

*Vacancy Mode Only Options
LHRMTS1-G-WH-M
LHRMTS1-G-IV-M
LHRMTS1-G-GY-M
LHRMTS1-N-WH-M
LHRMTS1-24V-WH-M
LHRDCMTD2-G-WH-M

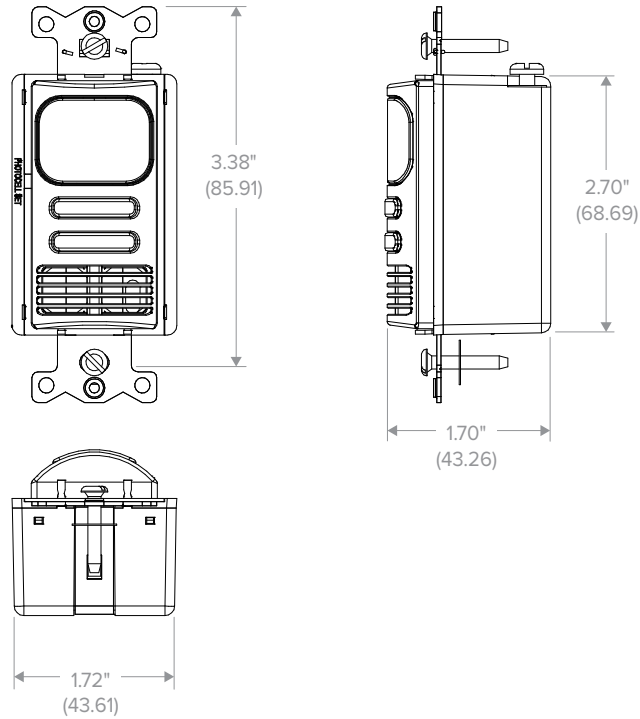
**Buy American Solutions	
BAA FAR §52.225-9	TAA FAR §52.225-11
LHRMTS1-G-WH	LHRMTS1-G-WH
	LHRMTS1-N-WH
	LHRMTS1-24V-WH
	LHRDCMTD2-G-WH
	LHRMTD2-24V-WH

Lighting Controls

LIGHTHAWK® DUAL TECHNOLOGY WALL SWITCH SENSOR

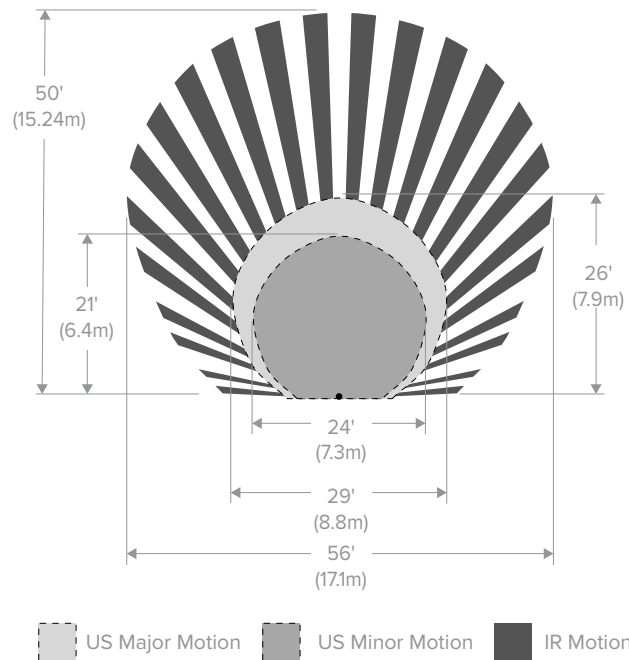
WALL SWITCH OCCUPANCY SENSORS

DIMENSIONS



ADDITIONAL INFORMATION (CONTINUED)

Coverage Pattern

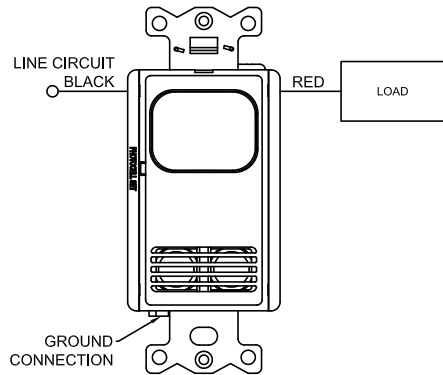


Lighting Controls

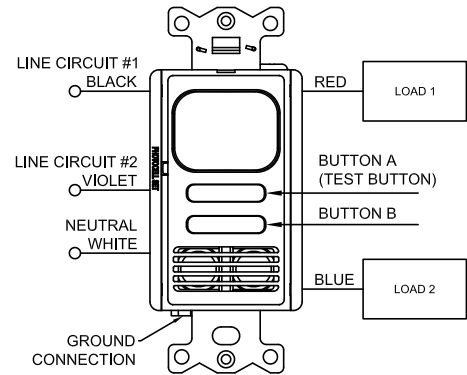
LIGHTHAWK® DUAL TECHNOLOGY WALL SWITCH SENSOR

WALL SWITCH OCCUPANCY SENSORS

Wiring Diagrams



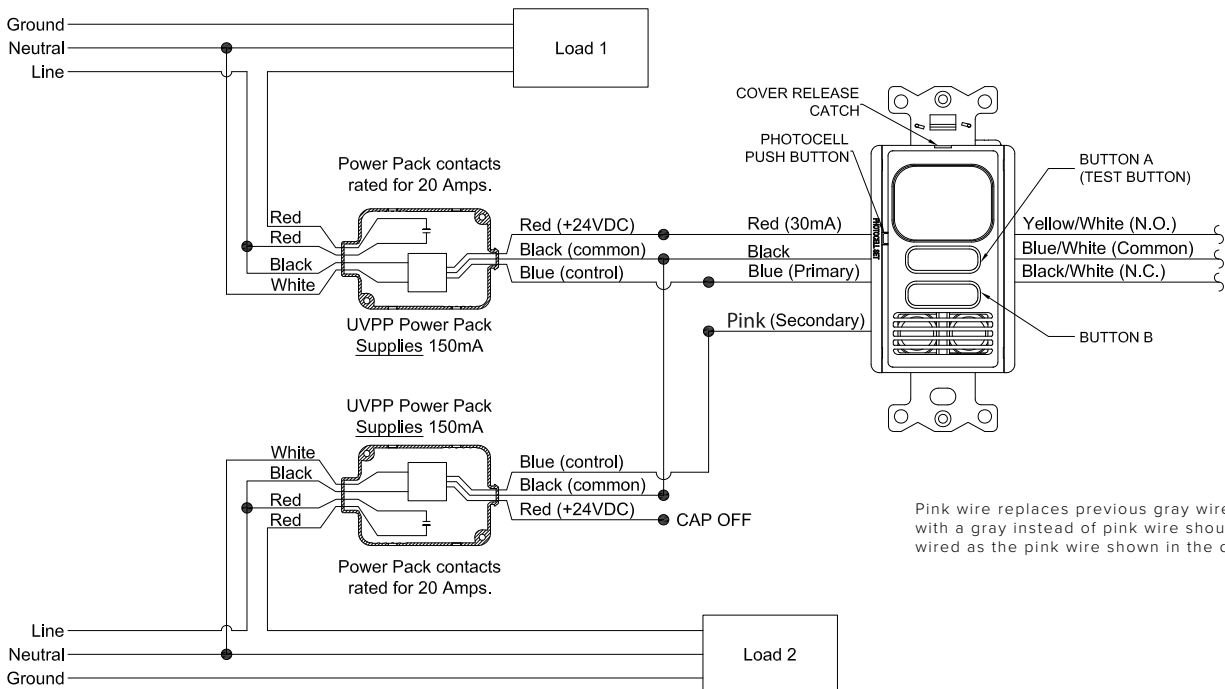
SINGLE LOAD WIRING



DUAL LOAD WIRING

ADDITIONAL INFORMATION (CONTINUED)

Wiring Diagrams



Pink wire replaces previous gray wire. Units with a gray instead of pink wire should be wired as the pink wire shown in the diagram.

Low Voltage Dual Level Control with Two Power Packs