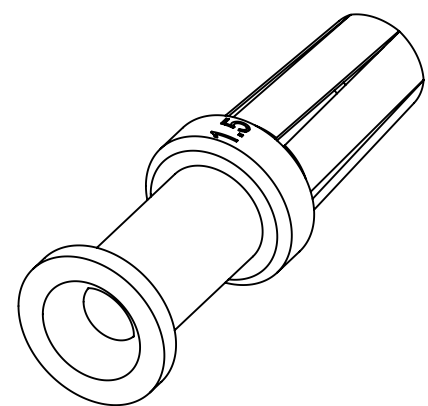
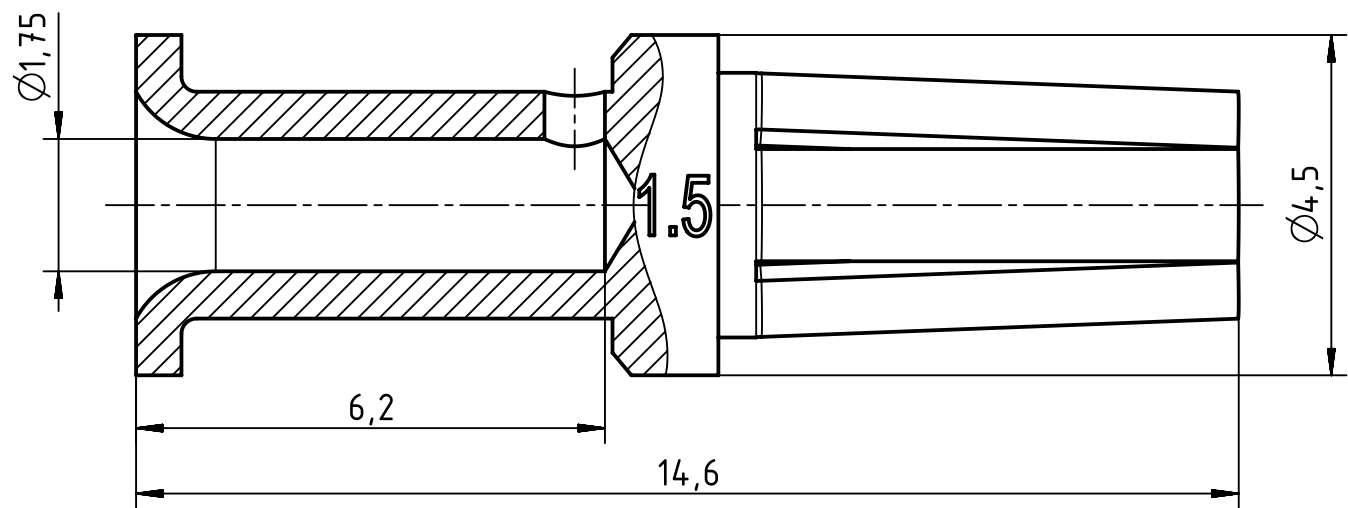


A


B

C

D



wire gauge: 1,5mm² / AWG 16
 stripping length: 6,5mm
 coating: gold plated

	All Dimensions in mm Original Size DIN A4		Scale 10:1	Free size tol.		Ref.	
	All rights reserved Department EL PD - DE		Created by HELLMANN	Inspected by RIEPE	Standardisation RUETERA	Date 2017-09-25	State Final Release
HARTING Electric GmbH & Co. KG D-32339 Espelkamp			Title Han-Yellock F-c 1.5mm ² (Au)			Doc-Key / ECM-Nr. 100523615/UGD/001/C 500000125260	
			Type TB	Number 11 05 000 6225		Rev. C	Page 1/1