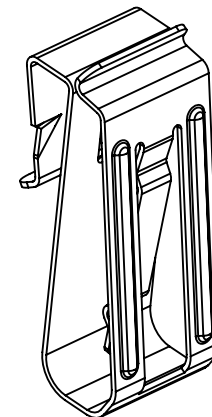
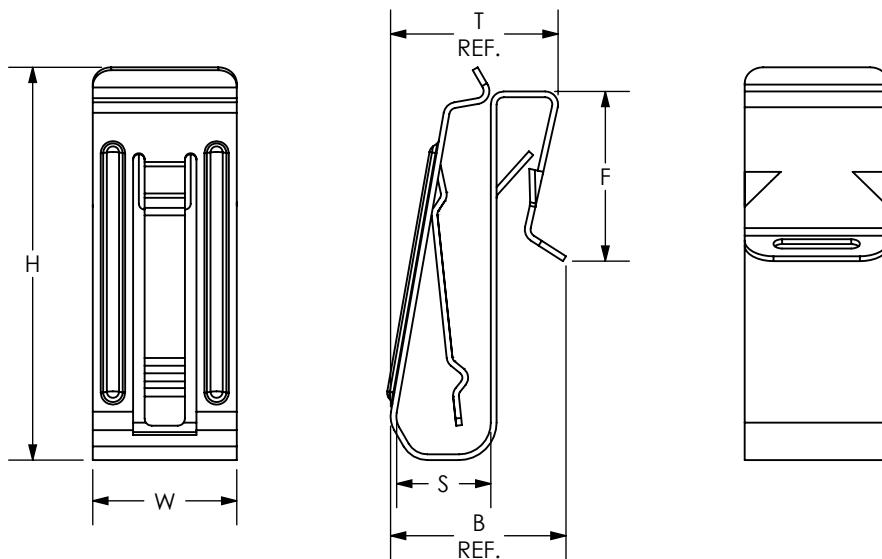


THIS COPY IS PROVIDED ON A RESTRICTED BASIS AND IS NOT TO BE USED IN ANY WAY DETRIMENTAL TO THE INTERESTS OF PANDUIT CORP.

PART NUMBER	ALUMINUM PANEL THICKNESS*	WIRE DIAMETER	RECOMMENDED FOR USE WITH 1000V SOLAR WIRES	DIMENSIONS - IN [mm]					
				B REF.	F ±.04 [1.0]	H ±.06 [1.5]	S ±.03 [.8]	T REF.	W ±.03 [.8]
MEC125-4PV-C	.051-.125" [1.3-3.2mm]	.200-.300" [5.1-7.6mm]	1-4 WIRES 12-10 GAUGE	.61 [15.5]	.59 [15.0]	1.37 [34.8]	.33 [8.4]	.58 [14.7]	.50 [12.7]
MEC250-4PV-C	.125-.250" [3.2-6.4mm]	.200-.300" [5.1-7.6mm]	1-4 WIRES 12-10 GAUGE	.69 [17.5]	.59 [15.0]	1.37 [34.8]	.33 [8.4]	.69 [17.5]	.50 [12.7]



\*RECOMMENDED FOR ALUMINUM FRAMES, SUITABLE FOR STEEL FRAMES



NOTES:

1. MATERIAL: .02" [.5] THICK 304 STAINLESS STEEL
2. CABLE ORIENTATION IS PARALLEL TO PANEL EDGE
3. NO INSTALLATION TOOLS REQUIRED
4. PACKAGING QTY: C = 100
5. RoHS COMPLIANT

REV	DATE	BY	CHK	APR	DESCRIPTION	ECN	TITLE	ITEM REVISION NAME	DATASET FILE NAME	MATERIAL	DRAWING NUMBER	SHEET	SIZE
							SOLAR METAL EDGE CLIP (MEC125-4PV-C, MEC250-4PV-C) CUSTOMER DRAWING	01698EBD/02	01698EBD-DC/02.SLDDRW	SEE NOTES	01698EBD-DC	1 OF 1	A
02	1/21	JHNU	TMR	ALP	GEOMETRY UPDATED, TOLERANCES & REFERENCES ADDED FRAME MATERIAL ADDED TO PANEL THICKNESS B DIM. FOR MEC125-4PV: .61 WAS .60 S DIM. FOR BOTH: .33 WAS .32 T DIM. FOR MEC125-4PV: .58 WAS .57 RoHS COMPLIANT NOTE ADDED	01698EBD-DC							
01	6/20	JHNU	TMR	RGB	REVISED B DIM. FOR MEC250-4PV: .69 WAS .65 REVISED T DIM. FOR MEC250-4PV: .68 WAS .69	01698EBD-DC							
00	4/20	JHNU	TMR	RGB	DRAWING RELEASED	01698EBD-DC							
							UNLESS OTHERWISE SPECIFIED, DIMENSIONAL TOLERANCES ARE: IN [mm] .X ± .XX ± .04 [1.0] .XXX ± ANGLES ± THIRD ANGLE PROJECTION						
							DRAWN BY JHNU	DATE 4/20	CHK TMR	SCALE N/A			