

2

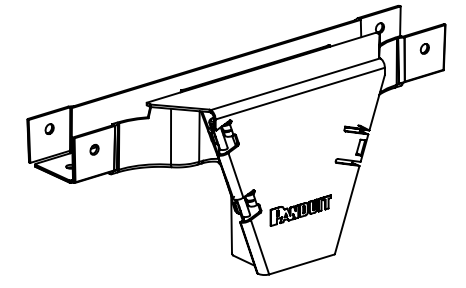
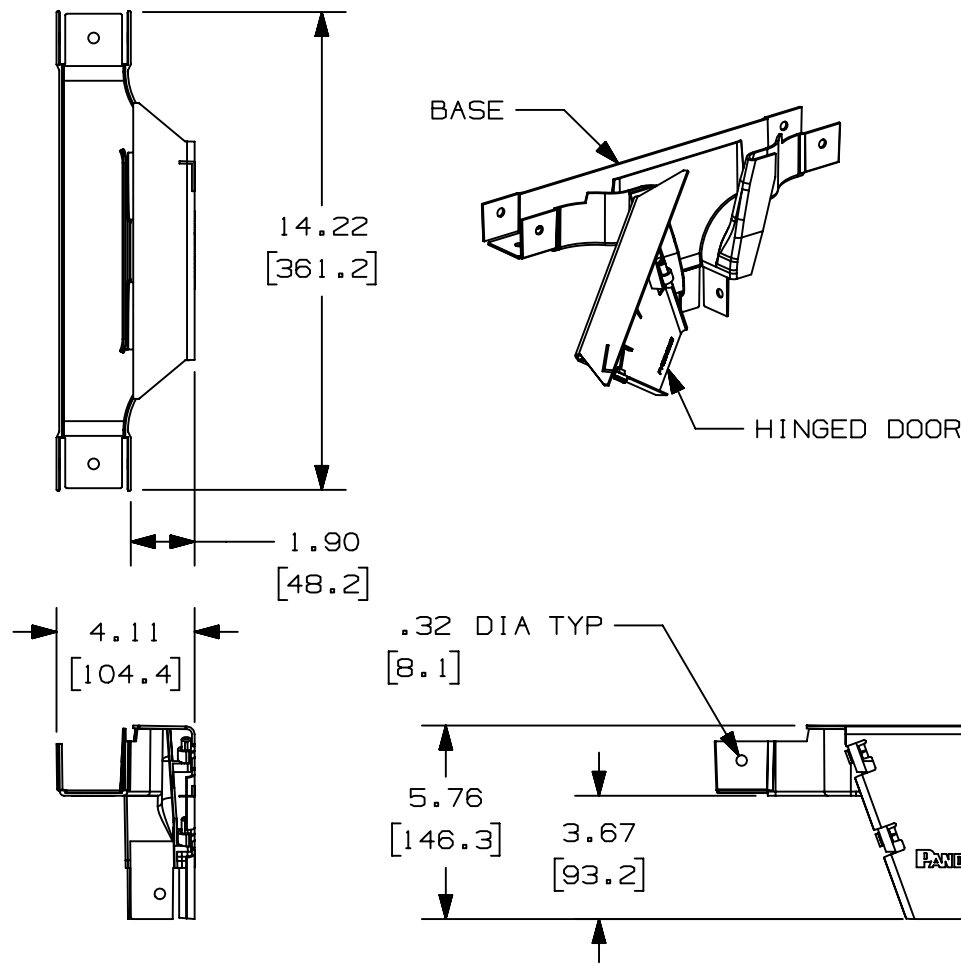
1

THIS COPY IS PROVIDED ON A RESTRICTED BASIS AND IS NOT TO BE USED IN ANY WAY DETRIMENTAL TO THE INTERESTS OF PANDUIT CORP.

NOTES:

- 1. SEE CURRENT CATALOG FOR ADDITIONAL PART SUFFIXES TO INDICATE COLOR AND/OR PACKAGE QUANTITY.
- 2. DIMENSIONS IN PARENTHESES ARE IN METRIC.
- 3. THE FIBER-DUCT 2x2 AND FIBERRUNNER 2x2 VERTICAL TEE FITTING INCLUDES:
ONE (1) VERTICAL TEE BASE,
ONE (1) HINGED DOOR

PANDUIT PART NUMBER	WEIGHT	MATERIAL
FVTHD2X2**	0.55 LB/EACH (251g/EACH)	ABS
FVTHD2X2L**	0.55 LB/EACH (251g/EACH)	PC/ABS



F

A

A

TITLE		FIBER-DUCT 2X2 AND FIBERRUNNER 2X2 VERTICAL TEE FITTING (FVTHD2X2** & FVTHD2X2L**) CUSTOMER DRAWING	
ITEM REVISION NAME		D38239BD/01	
DATASET FILE NAME		D38239BD_DC_FVTHD2X2/01C	
MATERIAL:		SEE PART NUMBER TABLE ABOVE	
DRAWING NUMBER:		38239-04	
DRAWN BY		DATE	CHK
JHNU	02/21/02	CEO	SCALE
THIRD ANGLE PROJECTION		NONE	
SHT 1 OF 1		SIZE	
A		A	

REV	DATE	BY	CHK	APR	DESCRIPTION	ECN
01C	08/25/20	PJST	DWR	DWR	ADDED PART NUMBER	V09002DZ/11
2	05/07/13	JBN	RTFI	RN	F. UPDATED DRAWING BORDER & TITLE BLOCK	38239-04

D10100DA/14

2

1