

enclosed separately
in additional bag

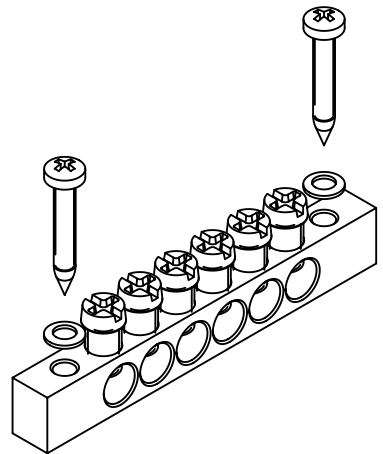
tightening torque
1,5-2,2Nm

tightening torque 1Nm

48,5

61,5

for solid wire and stranded wire with end sleeve
wire gauge: 0,5-10qmm
(16qmm with HARTING crimping tool)



	All rights reserved Department EL PD - DE HARTING Electric GmbH & Co. KG D-32339 Espelkamp	All Dimensions in mm Original Size DIN A4		Scale 2:1	Free size tol.	Ref. Sub.
		Created by GRUBES	Inspected by BEISCHER	Standardisation TIEMANNA	Date 2014-01-10	State Final Release
Title PE/N-Bar Han Yellock 60 HSM					Doc-Key / ECM-Nr. 100504580/UGD/001/D 500000070272	
Type TB				Number 11 00 000 9511		Rev. D
						Page 1/1