



Main Features

- ◆ 10.1" WXGA 1280x800 500 nits LED panel
- ◆ 5 points projected capacitive touch with Full IP 65 protection
- ◆ 3-Position Enabling switch & E-Stop Button
- ◆ EMC(IEC/EN 61600-2/4) compliance
- ◆ System frame ground protection(GPE) design

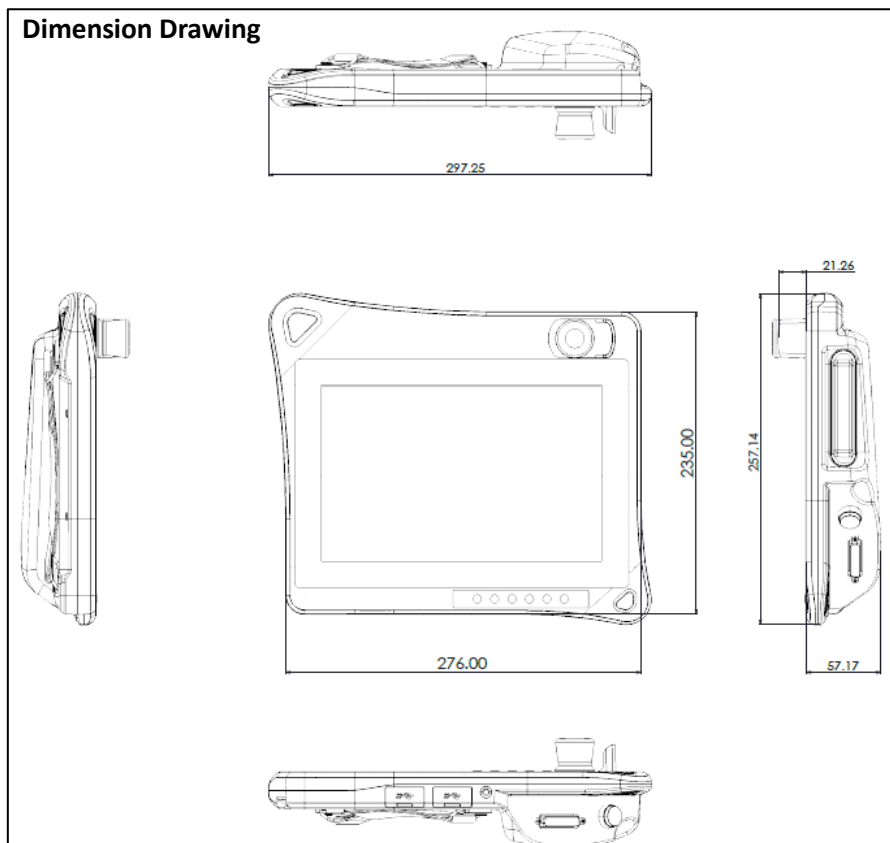
Product Overview

TP 100-1 is handheld operating teach pendant features an ergonomic housing with a safety elements, 10.1" WXGA resolution Panel and Multi-Touch P-Cap. The handheld control unit is greatest comfortable to used and also support left-hander.

Specification

Technical Data	TP 100-1	Technical Data	TP 100-1
Panel	<ul style="list-style-type: none"> - 10.1", 16:10, WXGA, 1280 x 800 - Luminance: 500 cd/m2 - Contrast ratio: 800:1 - LCD color: 16.7M - Viewing angle: 85 (U), 85 (D), 85 (L), 85 (R) - Backlight: LED 	Interface	<ul style="list-style-type: none"> - Data back-up: 2 x USB 2.0 - Control connector: HDB-44 female > Removable HDB-44 control cable (optional) > Including power, E-stop buttons, 3-Position enabling switch, button switch, USB 2.0 and VGA signals
Touch	<ul style="list-style-type: none"> - Touch: 5 points P-Cap - Touch light transmission: 87% - Touch interface: USB - Anti-scratch surface: 7H hardness 	Ratings	<ul style="list-style-type: none"> - Power supply voltage: 24 Vdc (19.2 to 28.8 Vdc) - Current consumption: > TP 100-1 0.625A at 24Vdc (max.)

Technical Data	TP 100-1	Technical Data	TP 100-1
Safety Elements	<ul style="list-style-type: none"> - Emergency stop button (2 NC channels, B10d=130,000) > Contact function: latching > Reset: by rotating - 3-position enabling switch (3 channels 2 NO & 1 NC, B10d=100,000) 	Mechanical	<ul style="list-style-type: none"> - Dimension: 297.3 x 257.2 x 57.2 mm (78.5mm including E-stop button) - Weight (without external control cable): > TP 100-1 1.5Kg - Front bezel: aluminum magnesium alloy; color: Black - Back cover: ABS+PC; color: Pantone 432C - IP protection class: Full IP65
Operating Elements	2-position button switch (1NO & 1NC)	Environment	<ul style="list-style-type: none"> - Operating temperature: 0°C to 50°C - Storage temperature: -20°C to 75°C - Operating humidity: 5%~90% relative humidity, non-condensing - Vibration resistance/shock-proof/free-fall
System	<ul style="list-style-type: none"> - TP 100-1: VGA input - USB 2.0 upstream 	Certifications	<ul style="list-style-type: none"> - CE (Emission EN61000-6-4; Immunity EN61000-6-2 for installation in industrial environments) - FCC Class A



Function and Ergonomic design



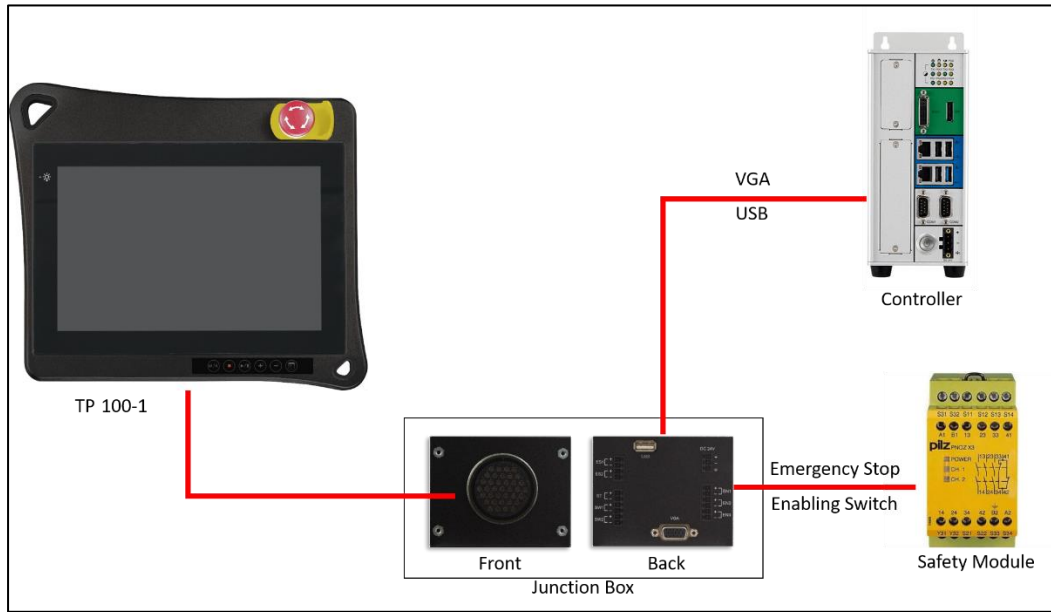
Membrane Keys



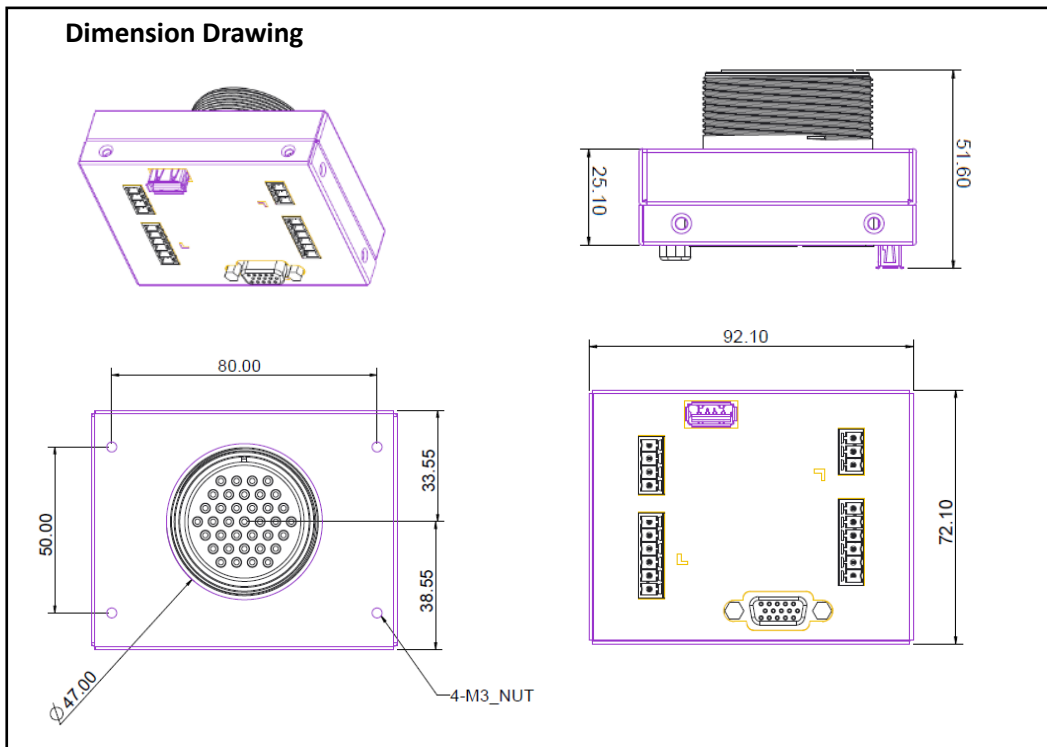
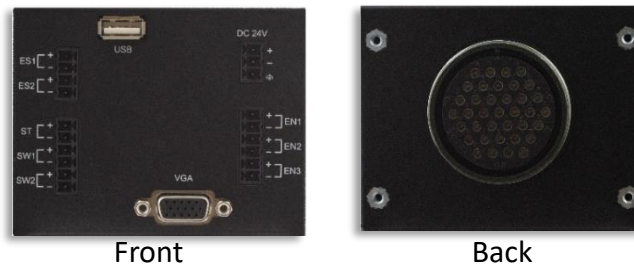
The TP 100-1's membrane keys are located at the lower-right of the teach pendant, each membrane key is mapping to the real-keyboard signal, review the key definitions below:

Key Definition	Defined Keyboard Mapping
M/A	[Ctrl] + [Shift] + [m]
Stop	[Ctrl] + [Shift] + [s]
Play/Pause	[Ctrl] + [Shift] + [p]
+	[Ctrl] + [Shift] + []]
-	[Ctrl] + [Shift] + [[]
Error Log	[Ctrl] + [Shift] + [e]

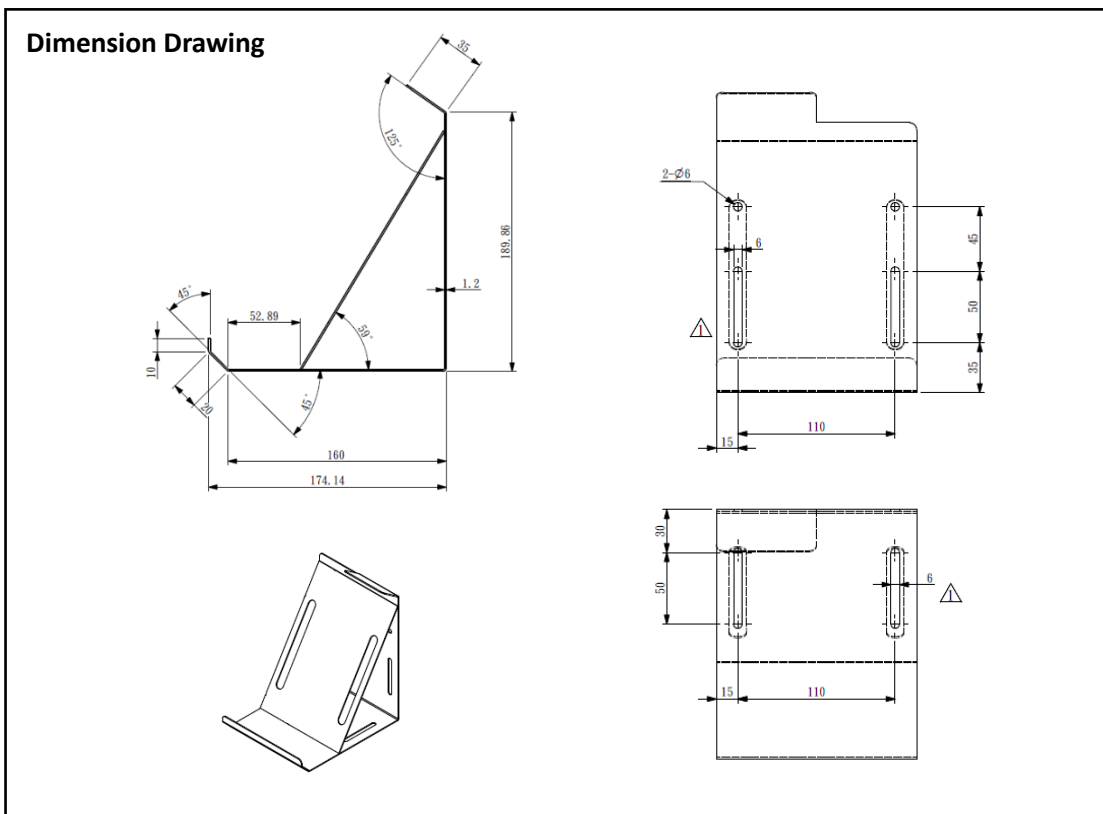
Wiring example



Junction Box



TP 100 Holders(Optional)



Ordering Information

- TP 100-1(P/N: 10IH0010009XF)
10.1" multi-touch teach pendant display
- TP 100-VGA-JB(P/N: 10IH0010008X0)
TP 100-1 Junction Box
- TP 100 cable(P/N: 686030000003F)
External 3m cable for TP 100-1
- (Option)TP 100 Holders(P/N: 685TP0000000F)
Holder for TP 100-1