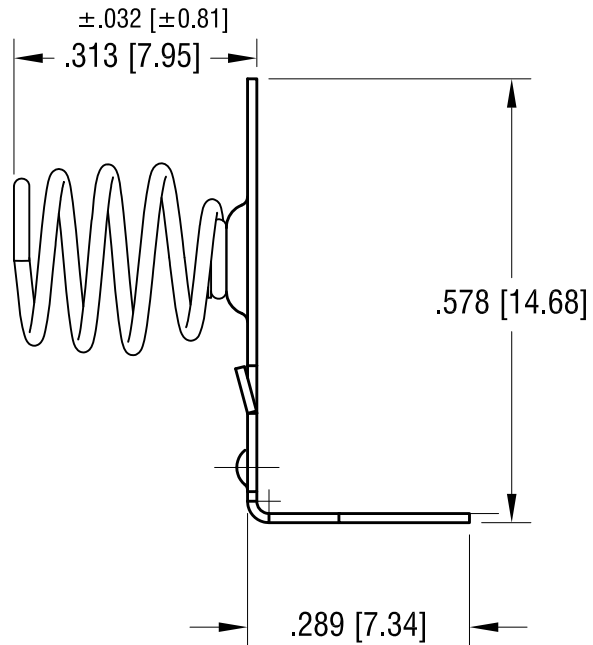
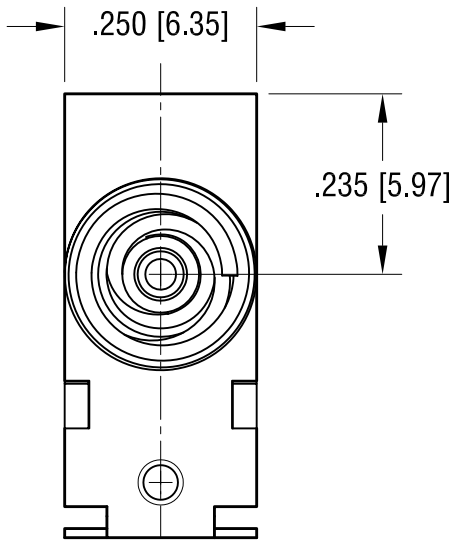
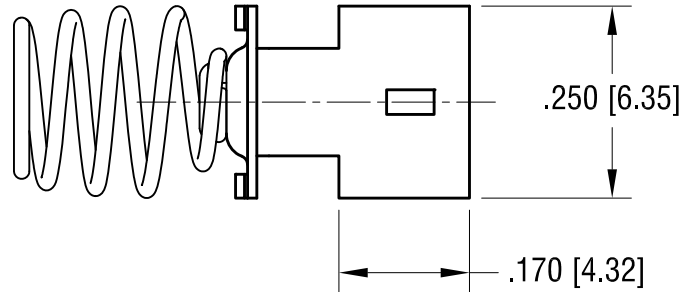


THIS DOCUMENT IS THE PROPERTY OF
KEYSTONE ELECTRONICS CORP. AND
SHALL NOT BE REPRODUCED, DISTRIBUTED
OR USED AS A BASIS FOR MANUFACTURE
WITHOUT PRIOR WRITTEN PERMISSION
FROM KEYSTONE ELECTRONICS CORP.

ACTUAL SIZE"



NOTE:

1. BASE: MAT'L- .012 [0.30] TH'K STAINLESS STEEL
2. SPRING: MAT'L- .020 [0.50] DIA, MUSIC WIRE
3. SPRING EYELETED TO THE BASE

1.17.20	ADD DIMPLE CHANGE AS PER ECN 20-002	A
DATE	DESCRIPTION	REV.

KEYSTONE ELECTRONICS CORP.			
www.keyelco.com • NEW HYDE PARK, NY 11040 • Tel (516) 328-7500			
PART NAME			
SM NEGATIVE BATTERY CONTACT			
MATERIAL			
AS NOTED			
FINISH		DRN BY	DATE
GOLD PLATE		NT	7.07.17
		APP'D	SCALE
		RH	4X
TOLERANCES	INCH [MM]	CODE	DWG NO.
DECIMAL	± .005 [± 0.13]	C	1088-2
ANGULAR	± 1°		
UNLESS OTHERWISE SPECIFIED			