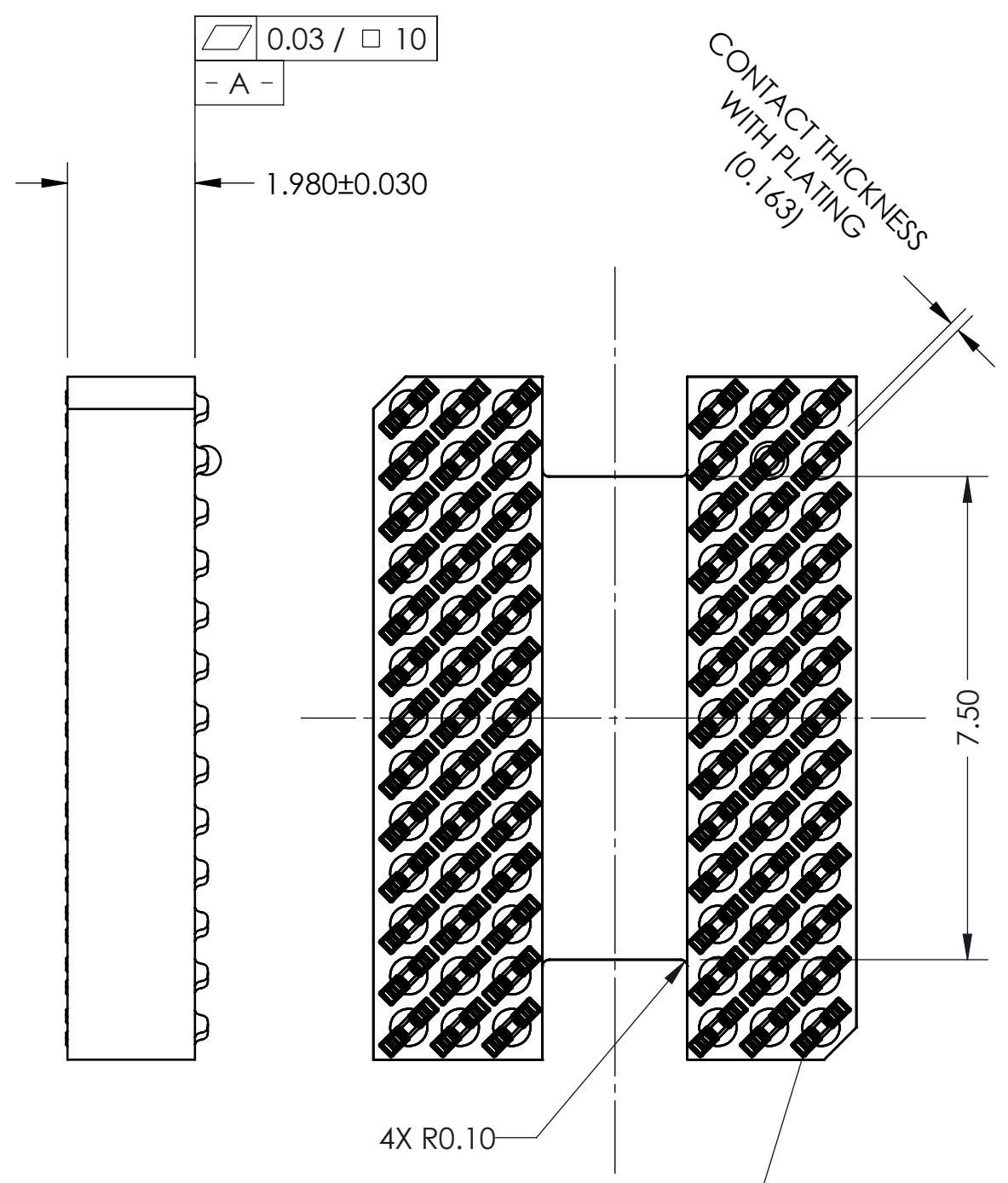
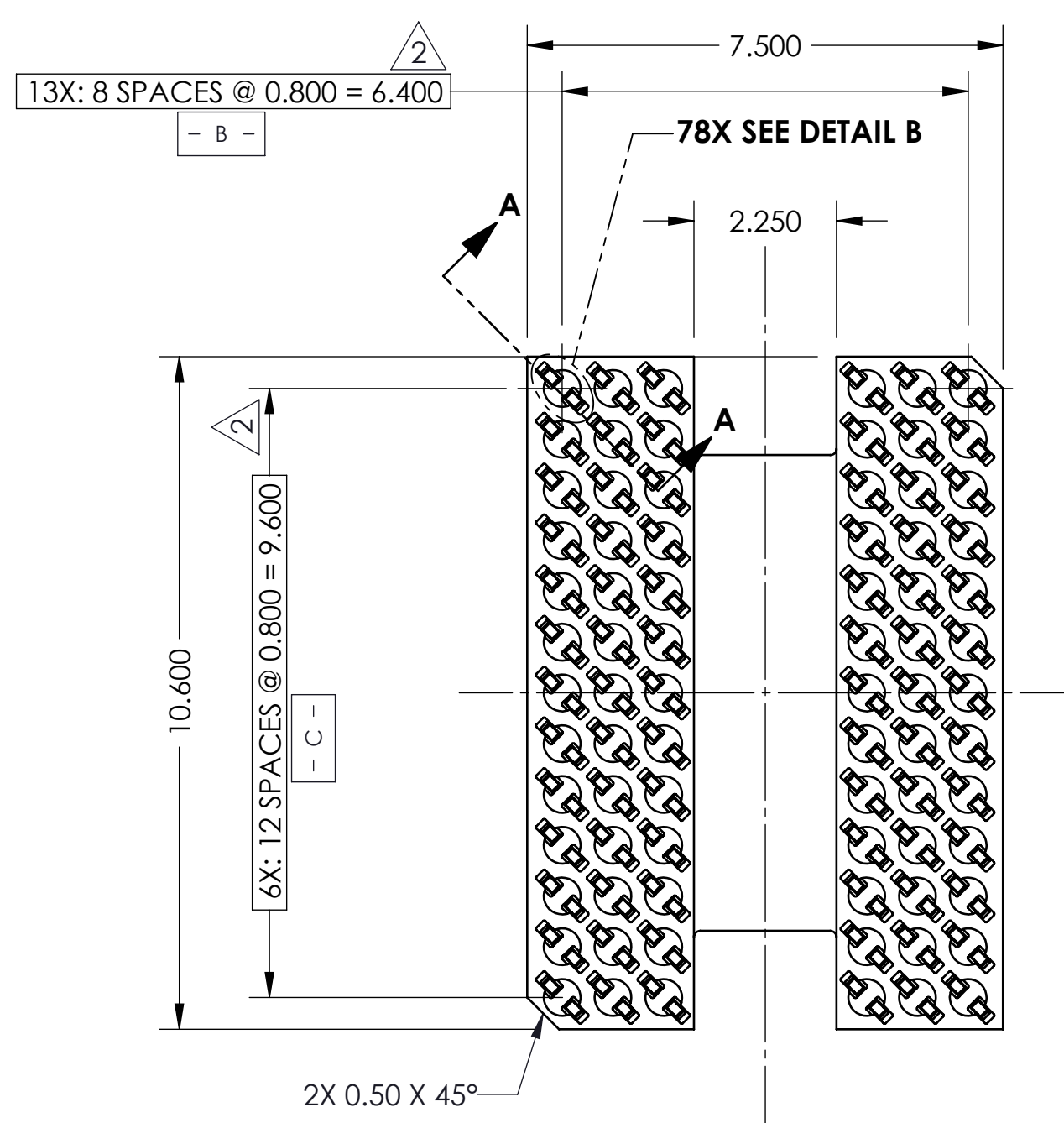
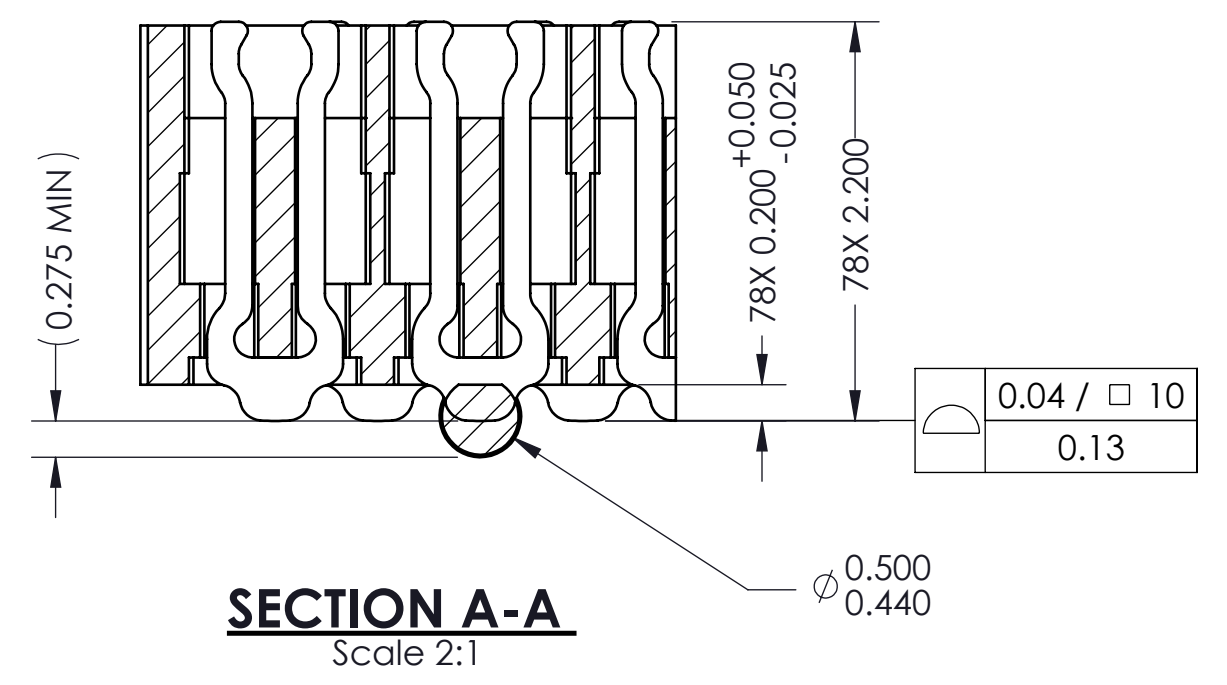
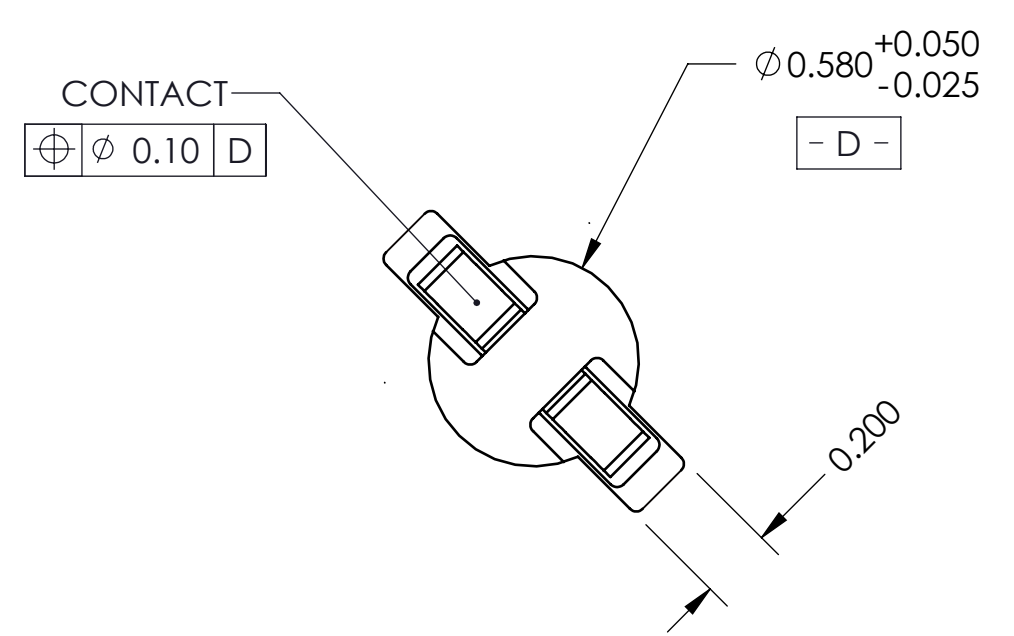
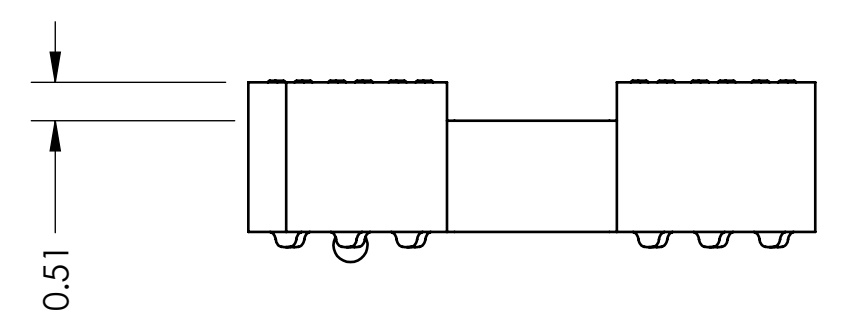


REV	ECO	BY	DESCRIPTION	APV	DATE
A	31669	RS	Initial Design	NSJ	07/21/15



- Notes:
- Footprint part number is 104311-0233
 - Locates center of contact slots.
 - Press size: 7.5 x 10.6
 - Datum B and C determined by $\phi 0.580$ opening in corner slots.
 - Unless otherwise noted, all features located $\oplus 0.10$ A B C

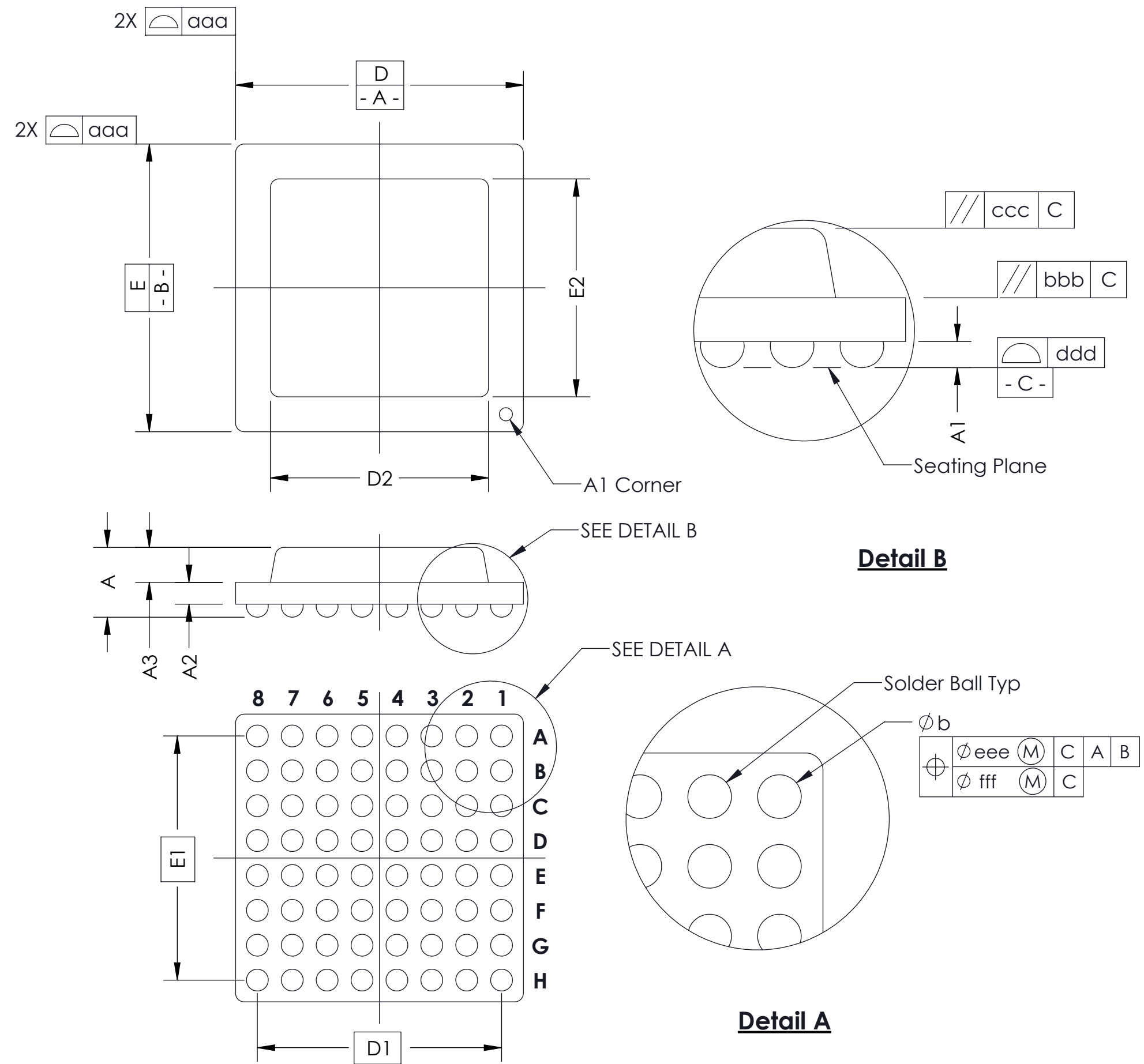
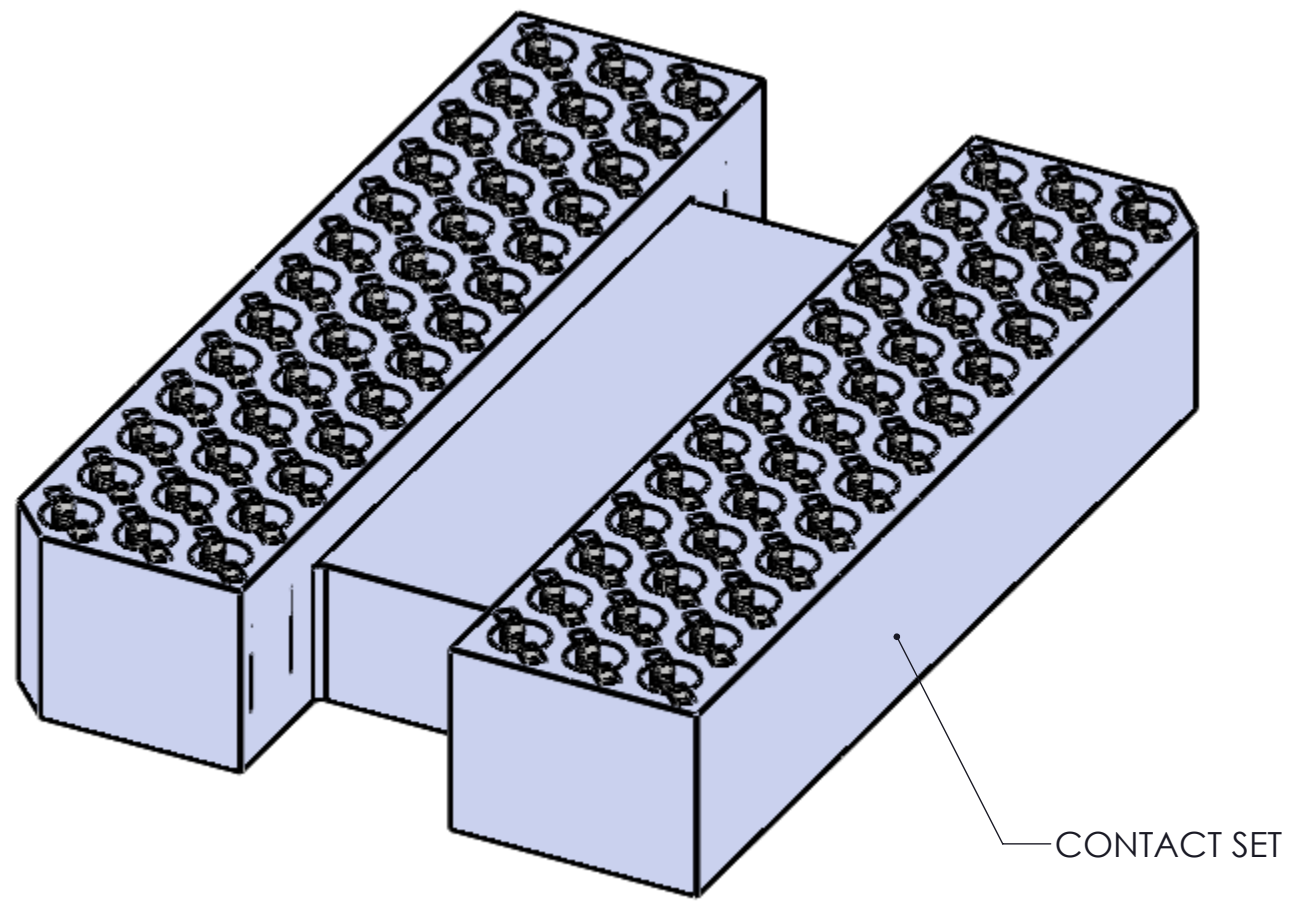


PARTS LIST	
Part Number	Description
108493-0009	SCKT, 78GRY7.5X10.6-0.80, SAC305
105528-0073	CS, 90GRY9X13-0.80
103864-0119	PRESS, DEV INS, 7.5X10.6 (SOLD SEP.)
107030-0038	STEN,FLEX, 78GRY7.5X10.6-0.80 (SOLD SEP.)

UNLESS OTHERWISE SPECIFIED - DIMENSIONS ARE IN MILLIMETERS - DIMS APPLY AFTER PLATING - TOLERANCES UNLESS OTHERWISE NOTED:		THE INFORMATION CONTAINED IN THIS DRAWING IS THE SOLE PROPERTY OF HSIQ TECHNOLOGIES, LLC. ANY REPRODUCTION IN PART OR WHOLE WITHOUT THE WRITTEN PERMISSION OF HSIQ, TECHNOLOGIES, LLC, IS PROHIBITED.	
CAD GENERATED DRAWING DO NOT MANUALLY UPDATE		HSIQ TECHNOLOGIES, LLC. 13300 67th AVENUE NORTH MAPLE GROVE, MINNESOTA 55311 763-447-6260	
DRAWING APPROVALS		TITLE SCKT, 78GRY7.5X10.6-0.80, DS	
NAME	DATE	REV.	
E.Turin	06/08/10	A	
M. Peery	06/10/10		
THIRD ANGLE PROJECTION		SCALE	SHEET
LEGEND:		C SOLIDWORKS	108493-0009
(X) NOTE CALLOUT	(A) REVISION CHANGE	MATERIAL	SEE BOM
(X) ITEM NUMBER			1 of 2

SOCKET FOR DEVICES THAT ARE WITHIN THESE SPECIFICATIONS					
Lead Count	N	78	Package Size	D	7.50
Columns	ND	6	Ball Spacing	E1	9.60
Rows	NE	13	Encapsulant/Top Size	D1	6.40
Pitch	e	0.80	Encapsulant/Top Size	E2	n/a
Ball Size	b	0.45±0.05	Pattern Style		Irregular*
Total Thickness	A	N/A	Perimeter Rows		n/a
Ball Height	A1	0.275 Min	Center Array		n/a
Substrate Thickness	A2	N/A			
Top Thickness	A3	N/A			
Form Tolerances					
Edge	aaa	0.20	Bottom	ddd	0.15
Substrate	bbb	0.20	Position	eee	0.20
Top	ccc	0.20	Position	fff	0.08

All dimensions are in millimeters.
*See footprint specification for pattern details.



Generic Representation with Full Grid Array

THE INFORMATION CONTAINED IN THIS DRAWING IS THE SOLE PROPERTY OF HSIO TECHNOLOGIES, LLC. ANY REPRODUCTION IN PART OR WHOLE WITHOUT THE WRITTEN PERMISSION OF HSIO TECHNOLOGIES, LLC. IS PROHIBITED.			
UNLESS OTHERWISE SPECIFIED - DIMENSIONS ARE IN MILLIMETERS - DIMS APPLY AFTER PLATING TOLERANCES UNLESS OTHERWISE NOTED: DECIMALS ANGLES X.X ±0.25 ±1° X.XX ±0.10 X.XXX ±.050		HSIO TECHNOLOGIES, LLC. 13300 67th AVENUE NORTH MAPLE GROVE, MINNESOTA 55311 763-447-6260	
TITLE SCKT, 78GRY7.5X10.6-0.80, DS			
SIZE C	CAD FORMAT SOLIDWORKS	DRAWING NO. 108493-0009	REV. A
SCALE	MATERIAL	See Page 1	SHEET 2 of 2