

Protective covers - HC-COM-BCFS-PL-BK - 1079396

Please be informed that the data shown in this PDF Document is generated from our Online Catalog. Please find the complete data in the user's documentation. Our General Terms of Use for Downloads are valid (<http://phoenixcontact.com/download>)



Protective cover COM, for single locking latch, protective cover material: PA, height: 24.5 mm, Standard, for pin inserts



Key Commercial Data

Packing unit	1 pc
GTIN	 4 0 5 5 6 2 6 7 9 9 2 2 3
GTIN	4055626799223
Custom tariff number	39269097
Country of origin	China

Technical data

General

Size	COM
------	-----

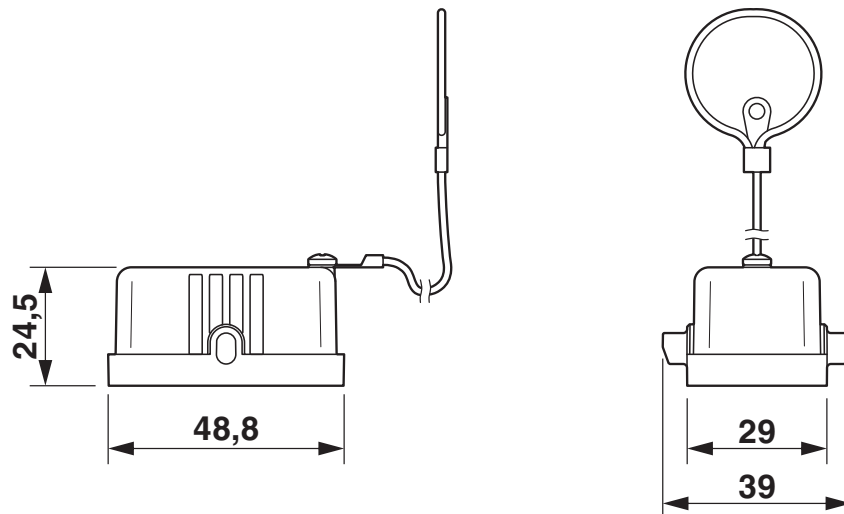
Environmental Product Compliance

China RoHS	Environmentally friendly use period: unlimited = EFUP-e
	No hazardous substances above threshold values

Drawings

Protective covers - HC-COM-BCFS-PL-BK - 1079396

Dimensional drawing



Classifications

eCl@ss

eCl@ss 10.0.1	27440208
eCl@ss 11.0	27440208
eCl@ss 9.0	27440208

ETIM

ETIM 7.0	EC002314
----------	----------