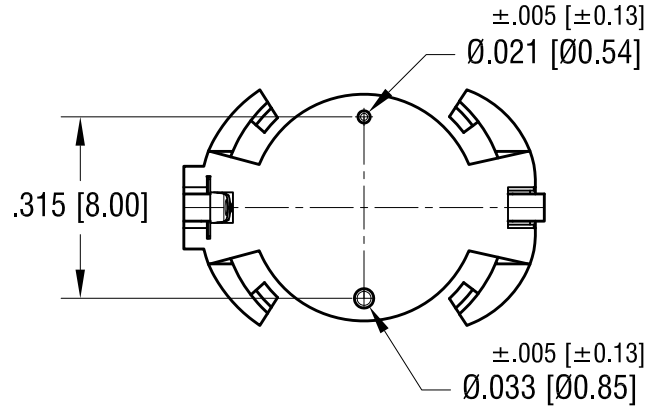
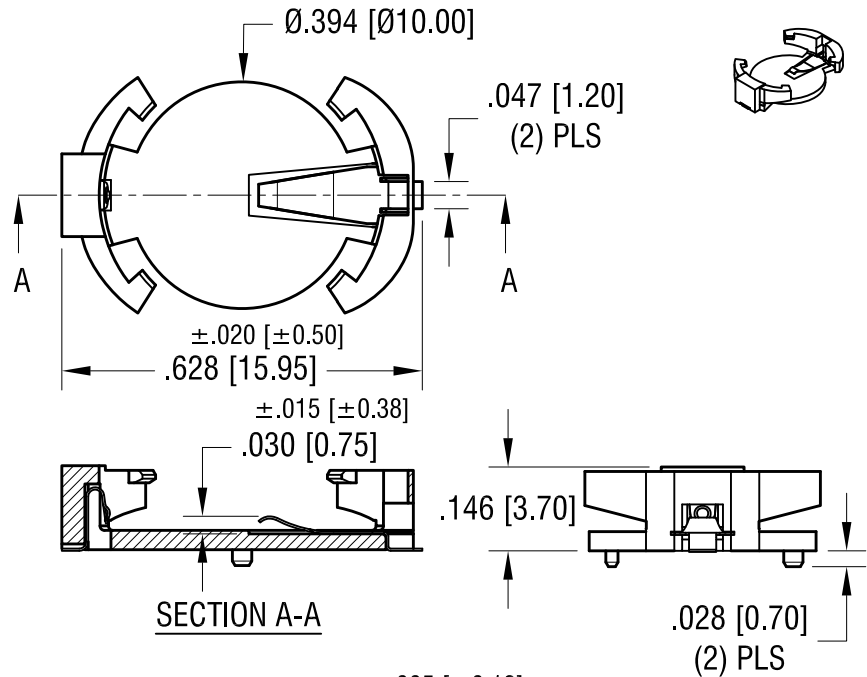
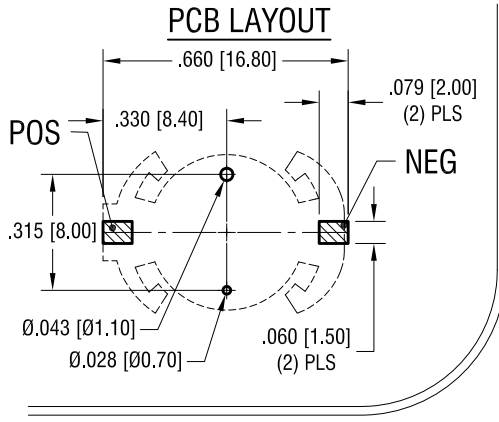
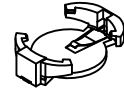


THIS DOCUMENT IS THE PROPERTY OF KEYSTONE ELECTRONICS CORP. AND SHALL NOT BE REPRODUCED, DISTRIBUTED OR USED AS A BASIS FOR MANUFACTURE WITHOUT PRIOR WRITTEN PERMISSION FROM KEYSTONE ELECTRONICS CORP.

**ACTUAL SIZE**



**NOTE:**

- 1. HOUSING: MAT'L- PA9T, BLACK COLOR
- 2. CONTACTS: MAT'L- PHOSPHOR BRONZE
- FINISH: CONTACT AREA- GOLD FLASH
- SOLDER AREA- MATTE TIN PLATE

8.01.22	CR1225 REMOVED FROM REFERENCE BATTERIES CHANGE AS PER ECN 22-137	A
DATE	DESCRIPTION	REV.

<b>KEYSTONE ELECTRONICS CORP.</b>			
www.keyelco.com • NEW HYDE PARK, NY 11040 • Tel (516) 328-7500			
PART NAME		BATTERY HOLDER CR1220	
MATERIAL		AS NOTED	
FINISH	AS NOTED	DRN BY	NT
		DATE	5.29.19
		APP'D	RH
		SCALE	3X
TOLERANCES	INCH [MM]	CODE	DWG NO.
DECIMAL	±.010 [±0.25]	C	<b>1072</b>
ANGULAR	± 1°		
UNLESS OTHERWISE SPECIFIED			