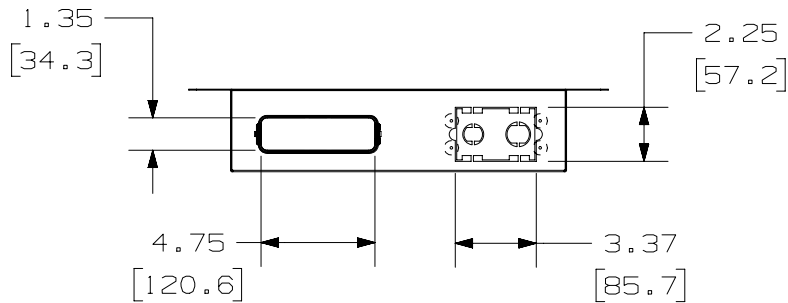
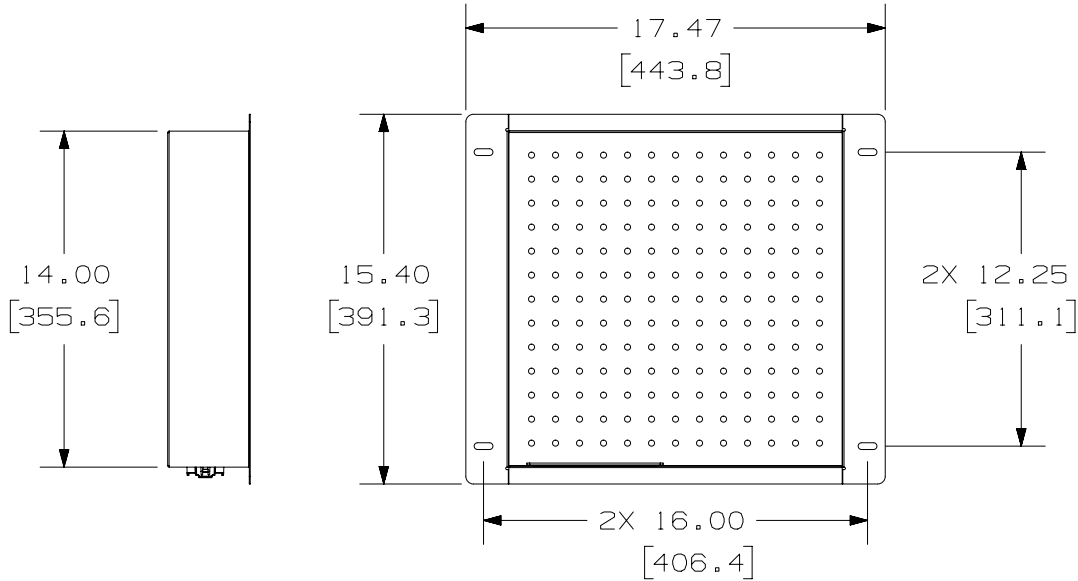
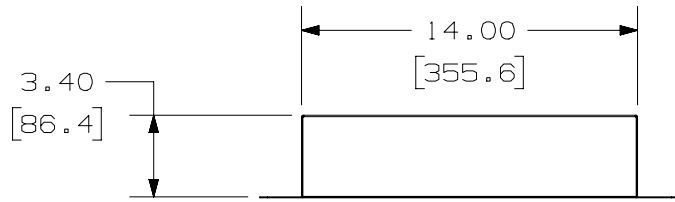
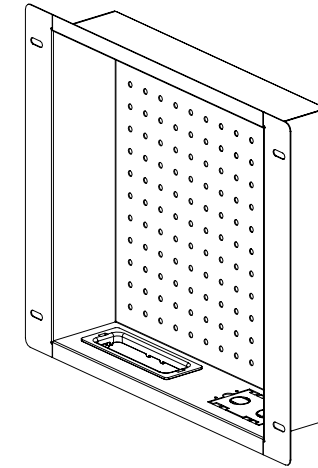


THIS COPY IS PROVIDED ON A RESTRICTED BASIS AND IS NOT TO BE USED IN ANY WAY DETRIMENTAL TO THE INTERESTS OF PANDUIT CORP.



NOTES:

- VISIT OUR ON-LINE CATALOG AT WWW.PANDUIT.COM FOR A LIST OF CURRENT PARTS APPLICABLE FOR USE WITH THIS PRODUCT.
- DIMENSIONS IN [] ARE METRIC.
- ALL MATERIALS AND COMPONENTS USED MEET THE MATERIAL RESTRICTIONS OF RoHS (EUROPEAN DIRECTIVE 2011/65/EU ON THE RESTRICTION OF HAZARDOUS SUBSTANCES) AS PROPOSED BY THE RoHS TECHNICAL ADAPTATION COMMITTEE.
- WEIGHT: 4.86 LB (2204.46 g)
- PART INCLUDES:
 - 1 - AV IN WALL BOX
 - 1 - CABLE PASS-THRU BEZEL
 - 4 - RELEASABLE PUSH MOUNT CABLE TIES



PART NUMBER		CMBBLWH		
TITLE		AV IN WALL BOX, LARGE		
		CUSTOMER DRAWING		
ITEM REVISION NAME		00101EBB/03		
DATASET FILE NAME		00101EBB_DC/03A		
		THIRD ANGLE PROJECTION		
MATERIAL		C.R.S.		
		DRAWING NUMBER		
		00101EBB-DC		
REV	DATE	BY	CHK	APR
03A	04/12/18	BSN	BSN	AMY
INITIAL RELEASE				
DESCRIPTION				
ECN				
BSN	04/12/18	BSN	NONE	
SHEET 1 OF 1				A