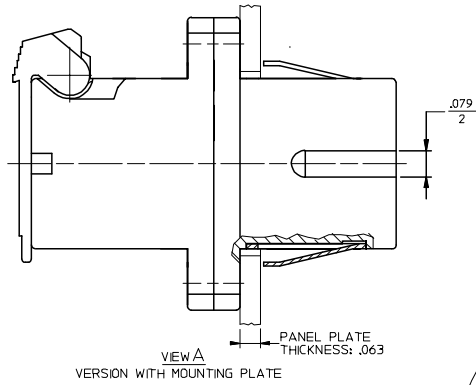
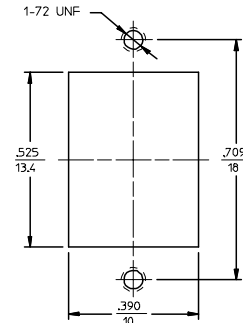
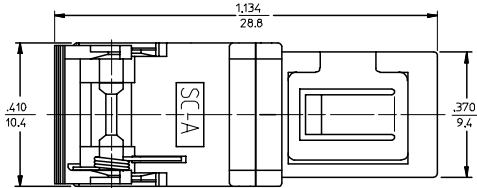


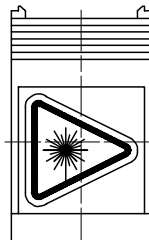
ADAPTER P/N	SPLIT SLEEVE MATERIAL	COLOR OF ADAPTER & SHIELD
106160-0500	PHOSPHOR BRONZE	BLUE
106160-3500		GREEN
106161-0500	ZR	BLUE
106161-3500		GREEN



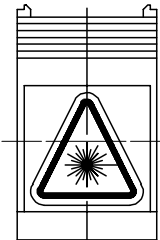
VIEW A
VERSION WITH MOUNTING PLATE



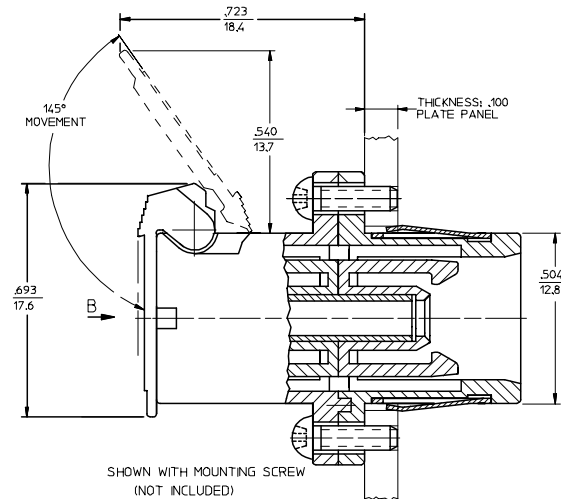
RECOMMENDED MOUNTING HOLE



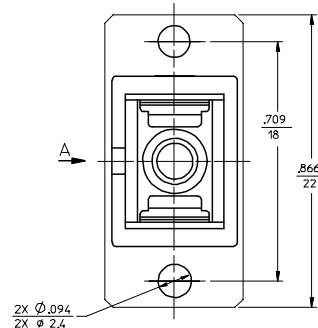
VIEW B
VERSION 1
(SEE NOTE 2)



VIEW B
VERSION 2
(SEE NOTE 2)



SHOWN WITH MOUNTING SCREW
(NOT INCLUDED)



- NOTES:
1. LABEL MUST BE INSTALLED AND ORIENTED BY CUSTOMER.
2. DUST CAPS ARE NOT SHOWN BUT INCLUDED.

ENTER DESCRIPTION EC NO: MF2006-0237 DRAWN: JGIBLIN 2005/11/29 CHKD: 2005/11/29 APPR: JGUMIN 2005/11/29 REV: A	QUALITY SYMBOLS 	GENERAL TOLERANCES (UNLESS SPECIFIED)		DIMENSION STYLE IN/MM	SCALE 4:1	DESIGN UNITS INCH	THIRD ANGLE PROJECTION		
		4 PLACES ± --- ± --- 3 PLACES ± --- ± --- 2 PLACES ± --- ± --- 1 PLACE ± --- ± ---	mm INCH	DRAWN BY RPACIFICI	DATE 2005/10/13	TITLE SC ADAPTER STANDARD FOOTPRINT WITH SHUTTER			
		ANGULAR ±1/2°		CHECKED BY DATE	APPROVED BY DATE	MATERIAL NO. SEE TABLE			
		DRAFT WHERE APPLICABLE MUST REMAIN WITHIN DIMENSIONS		SIZE C	THIS DRAWING CONTAINS INFORMATION THAT IS PROPRIETARY TO MOLEX INCORPORATED AND SHOULD NOT BE USED WITHOUT WRITTEN PERMISSION	DOCUMENT NO. SD-10616X-X500	SHEET NO. 1 OF 01	MOLEX INCORPORATED	